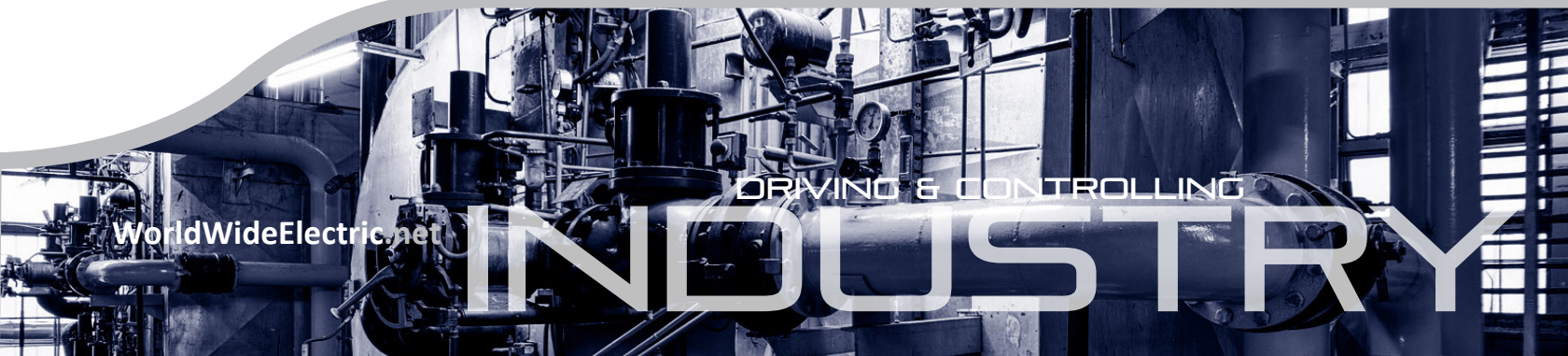
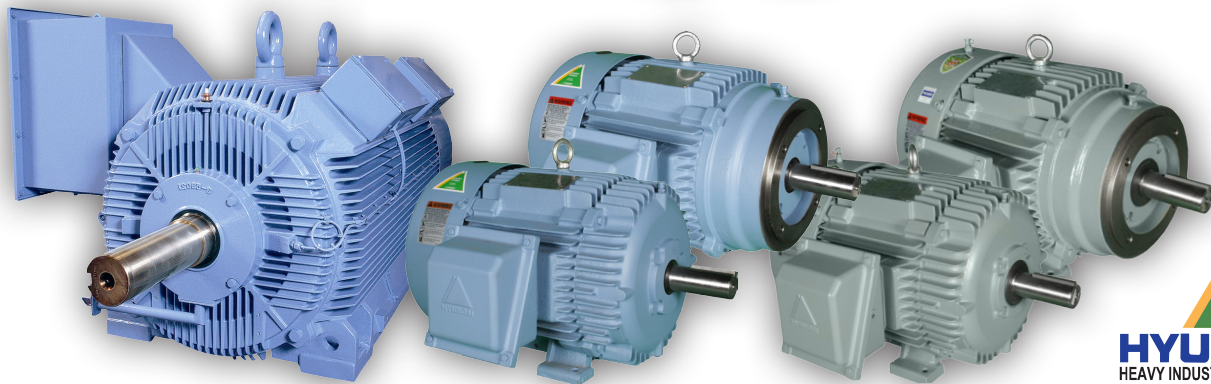
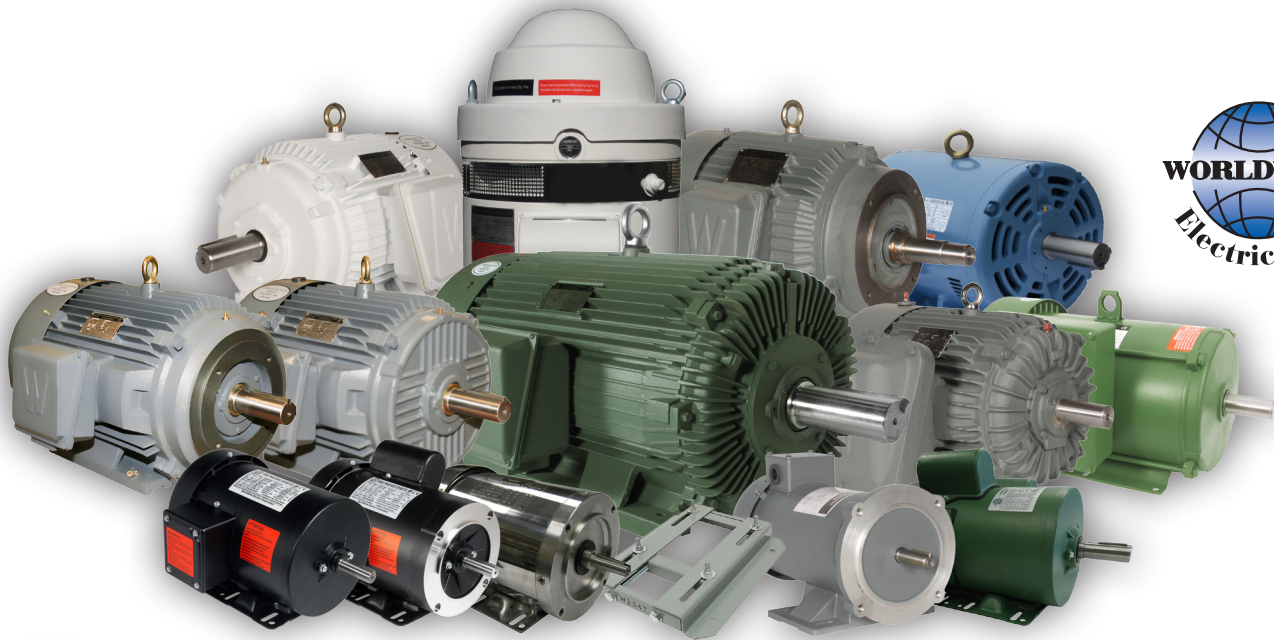


2017-2018

ELECTRIC MOTORS

STOCK PRODUCTS CATALOG



DRIVING & CONTROLLING

WorldWideElectric.net

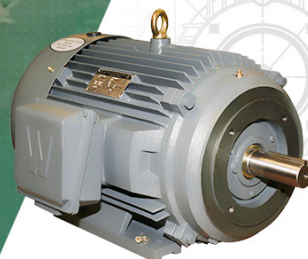
INDUSTRY

VISIT OUR WEBSITE WWW.WORLDWIDEELECTRIC.NET



HOME ABOUT US PRODUCTS INDUSTRIES SUPPORT CONTACT

WHEN
RELIABILITY
MATTERS



HYUNDAI
HEAVY INDUSTRIES CO., LTD.

We manufacture and distribute general purpose, cast iron, heavy duty industrial products. Our inventory of electric motors include large-horsepower, speciality, and standard motors.

[Learn More](#)

CUSTOMER LOGIN

User Name

Password

LOG IN

[Forgot your password?](#)

Please contact us if you need to create an account.



PRODUCTS AND SERVICE YOU CAN DEPEND ON

WorldWide Electric Corporation is the largest domestic importer of electric motors, drives and speed reducers. Most suppliers will tell you that you must trade quality for low price or low price for availability. With WorldWide Electric, this is simply no longer true.

With over 25 years of experience working the global supply chain, WorldWide Electric is able to provide you with all three of the most sought after buying attributes ... Quality, Low Price and Availability. When other suppliers are offering products with build-to-order lead times, WorldWide Electric is able to ship same day.

TALK WITH AN EXPERT: 800-808-2131

Electric Motors Gear Reducers Motor Controls

HP

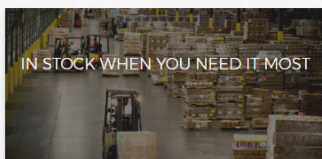
RPM

VOLTAGE

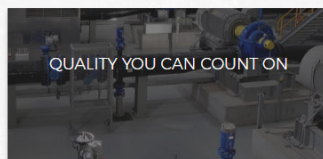
ENCLOSURE

Enter Model #

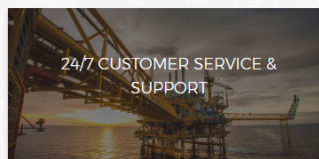
SEARCH



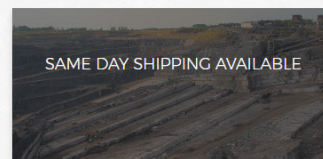
IN STOCK WHEN YOU NEED IT MOST



QUALITY YOU CAN COUNT ON



24/7 CUSTOMER SERVICE & SUPPORT



SAME DAY SHIPPING AVAILABLE

WORLDWIDE SOLUTIONS

THE LARGEST AND MOST DIVERSE INVENTORY IN THE U.S. MARKETPLACE

Electric Motors



We manufacture and distribute general purpose, cast iron, heavy duty industrial products. Our inventory of electric motors include large horsepower, specialty, and standard motors that are pre-modified to include features that will save you or the end-user the trouble of attaching additional components for specific features.

Motor Controls



Our large inventory of motor controls include drives, soft starts, and control products that offer more efficient ways for your motor to convert electrical energy into mechanical energy. These controls offer a wide range of applications to meet your specific industry need.

Gear Reducers



We manufacture gear reducers, or speed reducers, designed to increase the torque and reduce load speed of your electric motors. Lengthen motor life without compromising performance with our excellent selection of gear reducers.

WORLDWIDE ELECTRIC CORPORATION

Table Of Contents



WORLDWIDE FRACTIONAL HP MOTORS	MULTIPLIER	PAGE
General Purpose Motors - TEFC Enclosure - Single-Phase / Three-Phase	_____	2-3
Stainless Steel / Washdown Duty Motors - TENV / TEFC Enclosure - Three-Phase	_____	4-5
Jet Pump Motors - TEFC Enclosure - Single-Phase / Three-Phase	_____	6
Permanent Magnet DC Motors - TENV / TEFC Enclosure	_____	7-8
WORLDWIDE FARM DUTY MOTORS	MULTIPLIER	PAGE
TEFC Enclosure - Rigid Base - Single-Phase - Fractional	_____	9
TEFC Enclosure - Rigid Base - Single-Phase - Integral	_____	9
WORLDWIDE OPEN DRIP PROOF (ODP) MOTORS	MULTIPLIER	PAGE
ODP Enclosure - Rigid Base - Three-Phase	_____	10-11
WORLDWIDE EPIC PLUS SEVERE DUTY MOTORS	MULTIPLIER	PAGE
TEFC Enclosure - Rigid Base - Three-Phase	_____	12-13
TEFC Enclosure - C-Face - Three-Phase	_____	14-15
WORLDWIDE GENERAL PURPOSE MOTORS - PREMIUM EFFICIENCY	MULTIPLIER	PAGE
TEFC Enclosure - Rigid Base - Three-Phase	_____	16-17
WORLDWIDE EXPLOSION PROOF MOTORS - INVERTER DUTY	MULTIPLIER	PAGE
TEXP Enclosure - Rigid Base - Three-Phase	_____	18-19
TEXP Enclosure - C-Face - Rigid Base	_____	20
WORLDWIDE DEFINITE PURPOSE MOTORS	MULTIPLIER	PAGE
Advanced Design Rock Crusher Motors	_____	21
Oil Well Pump Motors - Inverter Duty	_____	22
Close Coupled Pump Motors	_____	23-24
Vertical Hollow Shaft Motors	_____	25-26
HYUNDAI CROWN TRITON™ SERIES MOTORS - PREMIUM EFFICIENCY	MULTIPLIER	PAGE
TEFC Enclosure - Rigid Base - Three-Phase	_____	27-30
TEFC Enclosure - C-Face - Rigid Base - Three-Phase	_____	31-33
TEFC Enclosure - C-Face - Round Body - Three-Phase	_____	34
HYUNDAI CROWN TRITON™ SERIES MOTORS - SEVERE DUTY LARGE FRAME	MULTIPLIER	PAGE
TEFC Enclosure - Rigid Base - Three-Phase	_____	35
HYUNDAI CROWN TRITON™ SERIES MOTORS - IEEE-841	MULTIPLIER	PAGE
TEFC Enclosure - Rigid Base - Three-Phase	_____	36-37
TEFC Enclosure - C-Face - Rigid Base - Three-Phase	_____	38
HYUNDAI CROWN TRITON™ SERIES MOTORS - EXPLOSION PROOF - INVERTER DUTY	MULTIPLIER	PAGE
TEXP Enclosure - Rigid Base - Three-Phase	_____	39-40
TEXP Enclosure - C-Face - Rigid Base - Three-Phase	_____	41
WORLDWIDE MOTOR ACCESSORIES	MULTIPLIER	PAGE
Motor Slide Bases	_____	42
"INSTA-MOD" Program For Electric Motors	_____	43-44
REFERENCE		PAGE
Return Policy		45
Warranty Policy		46-47
Freight Terms / Programs / Services		48



WORLDWIDE FRACTIONAL HP MOTORS

General Purpose Motors

TEFC Enclosure ▪ C-Face ▪ Removable Base
Single-Phase ▪ 115/208-230 Volt



Product Overview

- 1/3 - 2 HP
- 3600 and 1800 RPM
- 115/208-230 volt
- TEFC enclosure
- 1.15 service factor
- Class F insulation
- C-face - removable base
- Capacitor start / induction run (1/3 - 1 HP)
- Capacitor start / capacitor run (1.5 - 2 HP)
for reduced amperage and high torque
- VPI copper windings
- Anti-rust film applied to rotor
- Improved shaft seal on drive-end protects
drive-end bearing from moisture and contaminants

HP	RPM	Voltage	Frame	Model Number	List Price	FL Amps (A)	FL Eff. (%)	Approx. Wt. (lbs.)	Notes
1/3	1800	115/208-230	56C	NT13-18-56CB	\$258.86	2.6	63.0	22	
	3600	115/208-230	56C	NT12-36-56CB	\$265.89	3.3	63.0	23	
1/2	1800	115/208-230	56C	NT12-18-56CB	\$272.74	3.6	64.5	25	
	3600	115/208-230	56C	NT34-36-56CB	\$273.38	4.6	66.5	27	
3/4	1800	115/208-230	56C	NT34-18-56CB	\$296.84	5.0	67.0	29	
	3600	115/208-230	56C	NT1-36-56CB	\$299.10	5.8	69.5	30	
1	1800	115/208-230	56C	NT1-18-56CB	\$331.19	6.5	70.0	36	
	3600	115/208-230	56C	NT1.5-36-56CB	\$373.89	6.5	77.0	31	
1 1/2	1800	115/208-230	56C	NT1.5-18-56CB	\$418.25	7.3	77.0	37	
	3600	115/208-230	56C	NT2-36-56CB	\$412.12	8.5	79.5	37	
2	1800	115/208-230	56C	NT2-18-56CB	\$508.88	9.8	79.0	44	

WORLDWIDE FRACTIONAL HP MOTORS

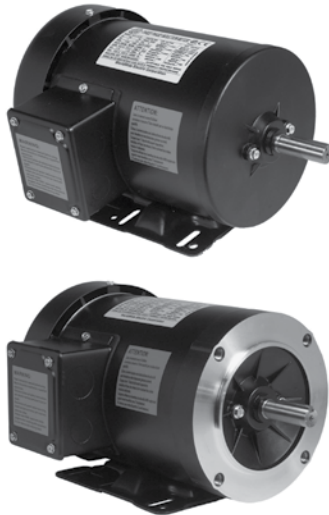
General Purpose Motors

TEFC Enclosure ▪ Rigid Base / C-Face - Removable Base

Three-Phase ▪ 208-230/460



WORLDWIDE
FRACTIONAL HP



Product Overview

- Rigid Base: 1/2 - 2 HP; 1800 RPM
- C-Face - removable base: 1/3 - 3 HP; 3600 and 1800 RPM
- 208-230/460 volt
- TEFC enclosure
- 1.15 service factor
- Class F insulation
- Premium efficiency (1-3 HP)
- VPI copper windings
- Anti-rust film applied to rotor
- Improved shaft seal on drive-end protects drive-end bearing from moisture and contaminants
- Inverter rated, 4:1 CT / 10:1 VT
- Suitable for 50 hz operation with 1.0 service factor

Rigid Base

HP	RPM	Voltage	Frame	Model Number	List Price	FL Amps (A)	FL Eff. (%)	Approx. Wt. (lbs.)	Notes
1/2	1800	208-230/460	56	NAT12-18-56	\$244.15	0.95	70.0	19	
3/4	1800	208-230/460	56	NAT34-18-56	\$261.24	1.3	73.0	22	
1	1800	208-230/460	56	NATE1-18-56	\$323.62	1.61	85.5	35	P
1 1/2	1800	208-230/460	56	NATE1.5-18-56	\$382.08	2.26	86.5	43	P
2	1800	208-230/460	56	NATE2-18-56	\$455.28	2.96	86.5	49	P

C-Face - Removable Base

HP	RPM	Voltage	Frame	Model Number	List Price	FL Amps (A)	FL Eff. (%)	Approx. Wt. (lbs.)	Notes
1/3	3600	208-230/460	56C	NAT13-36-56CB	\$216.93	0.65	60.0	18	
	1800	208-230/460	56C	NAT13-18-56CB	\$236.16	0.72	67.0	18	
1/2	3600	208-230/460	56C	NAT12-36-56CB	\$226.41	0.85	67.5	19	
	1800	208-230/460	56C	NAT12-18-56CB	\$250.80	0.95	70.0	19	
3/4	3600	208-230/460	56C	NAT34-36-56CB	\$235.82	1.2	71.5	21	
	1800	208-230/460	56C	NAT34-18-56CB	\$271.96	1.3	73.0	22	
1	3600	208-230/460	56C	NATE1-36-56CB	\$329.49	1.5	77.0	23	P
	1800	208-230/460	56C	NATE1-18-56CB	\$356.99	1.61	85.5	35	P
1 1/2	3600	208-230/460	56C	NATE1.5-36-56CB	\$373.08	1.98	84.0	31	P
	1800	208-230/460	56C	NATE1.5-18-56CB	\$452.48	2.26	86.5	43	P
2	3600	208-230/460	56C	NATE2-36-56CB	\$412.32	2.61	85.5	34	P
	1800	208-230/460	56C	NATE2-18-56CB	\$533.29	2.96	86.5	59	P
3	3600	208-230/460	56C	NATE3-36-56CB	\$476.94	3.69	86.5	39	P

P NATE models are premium efficiency

www.worldwideelectric.net



When using any motor with a variable frequency drive, take precautions to eliminate or reduce shaft currents in order to prolong bearing life.

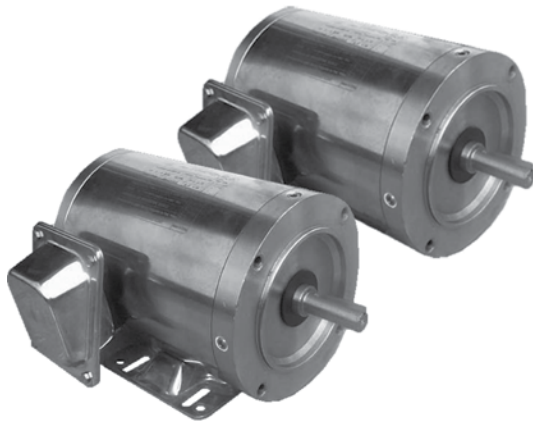
Stock Products Catalog

WORLDWIDE FRACTIONAL HP MOTORS

Stainless Steel / Washdown Duty Motors

TENV Enclosure ▪ C-Face ▪ Rigid Base and Round Body

Three-Phase ▪ 208-230/460 Volt



Product Overview

- 1/3 - 1 HP
- 1800 RPM
- 208-230/460 volt
- TENV enclosure
- 1.15 service factor
- Class F insulation
- C-face - rigid base and round body
- 304 stainless steel frame, end bracket and junction box
- Stainless steel shaft
- Anti-rust film applied to rotor
- Double lip seals with an additional shaft slinger on the drive-end
- O-rings installed on endbells to eliminate moisture
- Inverter duty
- Suitable for 50 hz operation with 1.0 service factor

Rigid Base

HP	RPM	Voltage	Frame	Model Number	List Price	FL Amps (A)	FL Eff. (%)	Approx. Wt. (lbs.)	Notes
1/3	1800	208-230/460	56C	WSSNV13-18-56CB	\$615.41	0.7	82.5	28	
1/2	1800	208-230/460	56C	WSSNV12-18-56CB	\$641.41	0.8	82.5	31	
3/4	1800	208-230/460	56C	WSSNV34-18-56CB	\$684.35	1.2	82.5	33	
1	1800	208-230/460	56C	WSSNV1-18-56CB	\$700.42	1.6	84.0	36	

Round Body

HP	RPM	Voltage	Frame	Model Number	List Price	FL Amps (A)	FL Eff. (%)	Approx. Wt. (lbs.)	Notes
1/3	1800	208-230/460	56C	WSSNV13-18-56CRD	\$584.64	0.7	82.5	28	
1/2	1800	208-230/460	56C	WSSNV12-18-56CRD	\$609.34	0.8	82.5	31	
3/4	1800	208-230/460	56C	WSSNV34-18-56CRD	\$650.13	1.2	82.5	33	
1	1800	208-230/460	56C	WSSNV1-18-56CRD	\$665.41	1.6	84.0	36	

When using any motor with a variable frequency drive, take precautions to eliminate or reduce shaft currents in order to prolong bearing life.

WORLDWIDE FRACTIONAL HP MOTORS

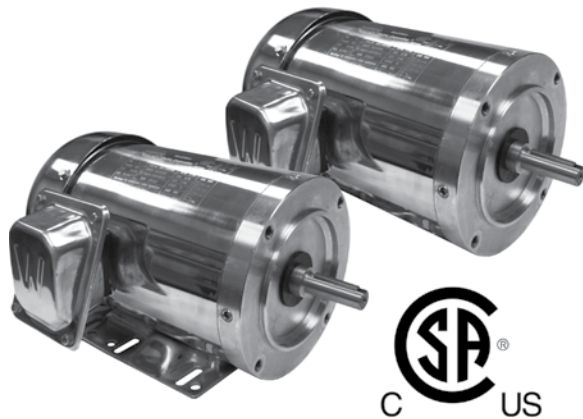
Stainless Steel / Washdown Duty Motors

TEFC Enclosure ▪ C-Face ▪ Rigid Base and Round Body

Three-Phase ▪ 208-230/460 Volt



WORLDWIDE FRACTIONAL HP



Product Overview

- 1/3 - 2 HP
- 3600 and 1800 RPM
- 208-230/460 volt
- TEFC enclosure - IP56 degree of protection
- 1.15 service factor
- Class F insulation
- C-face - rigid base and round body
- 304 stainless steel frame, end bracket and junction box
- Stainless steel shaft
- Anti-rust film applied to rotor
- Double lip seals on both ends of the motor with an additional shaft slinger on the drive-end
- O-rings installed on endbells to eliminate moisture
- Inverter duty
- Suitable for 50 hz operation with 1.0 service factor

Rigid Base

HP	RPM	Voltage	Frame	Model Number	List Price	FL Amps (A)	FL Eff. (%)	Approx. Wt. (lbs.)	Notes
1/3	1800	208-230/460	56C	WSS13-18-56CB	\$578.49	0.7	82.5	28	
	3600	208-230/460	56C	WSS12-36-56CB	\$596.55	0.9	77.0	29	
1/2	1800	208-230/460	56C	WSS12-18-56CB	\$602.92	0.8	82.5	31	
	3600	208-230/460	56C	WSS34-36-56CB	\$617.80	1.2	73.0	33	
3/4	1800	208-230/460	56C	WSS34-18-56CB	\$643.30	1.2	82.5	33	
	3600	208-230/460	56C	WSS1-36-56CB	\$646.97	1.5	80.0	35	
1	1800	208-230/460	56C	WSS1-18-56CB	\$658.40	1.6	84.0	36	
	3600	208-230/460	56C	WSS1.5-36-56CB	\$729.88	2.0	84.0	39	
1 1/2	1800	208-230/460	56C	WSS1.5-18-56CB	\$736.82	2.1	84.0	42	
	3600	208-230/460	56C	WSS2-36-56CB	\$784.48	2.4	80.0	46	
2	1800	208-230/460	56C	WSS2-18-56CB	\$779.09	3.0	84.0	49	

Round Body

HP	RPM	Voltage	Frame	Model Number	List Price	FL Amps (A)	FL Eff. (%)	Approx. Wt. (lbs.)	Notes
1/3	1800	208-230/460	56C	WSS13-18-56CRD	\$549.56	0.7	82.5	28	
1/2	1800	208-230/460	56C	WSS12-18-56CRD	\$572.78	0.8	82.5	31	
3/4	1800	208-230/460	56C	WSS34-18-56CRD	\$611.13	1.2	82.5	33	
1	1800	208-230/460	56C	WSS1-18-56CRD	\$625.48	1.6	84.0	36	
1 1/2	1800	208-230/460	56C	WSS1.5-18-56CRD	\$699.98	2.1	84.0	42	
2	1800	208-230/460	56C	WSS2-18-56CRD	\$740.13	3.0	84.0	49	

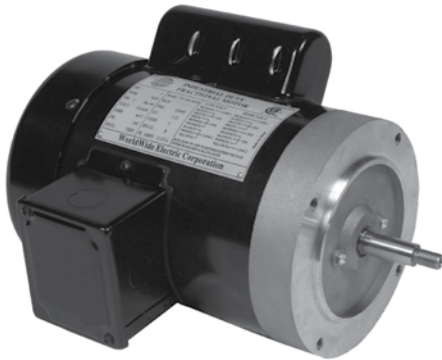
When using any motor with a variable frequency drive, take precautions to eliminate or reduce shaft currents in order to prolong bearing life.



WORLDWIDE FRACTIONAL HP MOTORS

Jet Pump Motors

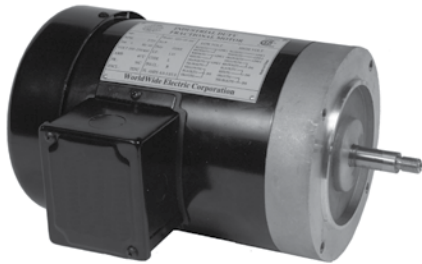
TEFC Enclosure ▪ C-Face ▪ Removable Base



Single-Phase ▪ 115-208-230 Volt

- 1/3 - 2 HP
- 3600 RPM
- 115/208-230 volt
- TEFC enclosure
- 1.15 service factor
- Class F insulation
- C-face - removable base
- 304 stainless steel threaded shaft
- Capacitor start / induction run (1/3 - 1 HP)
- Capacitor start / capacitor run (1.5 - 2 HP) for reduced amperage and high torque
- Shaft slinger to keep moisture and contaminants from the drive-end bearing
- Automatic overload

HP	RPM	Voltage	Frame	Model Number	List Price	FL Amps (A)	FL Eff. (%)	Approx. Wt. (lbs.)	Notes
1/3	3600	115/208-230	56J	TJ13-36-56JB	\$200.47	3.1	58.0	23	
1/2	3600	115/208-230	56J	TJ12-36-56JB	\$228.86	4.4	61.0	25	
3/4	3600	115/208-230	56J	TJ34-36-56JB	\$242.04	5.3	64.0	27	
1	3600	115/208-230	56J	TJ1-36-56JB	\$264.67	5.6	69.0	31	
1 1/2	3600	115/208-230	56J	TJ1.5-36-56JB	\$323.13	7.1	72.0	37	
2	3600	115/208-230	56J	TJ2-36-56JB	\$353.91	9.1	75.0	40	



Three-Phase ▪ 208-230/460 Volt

- 1/3 - 2 HP
- 3600 RPM
- 208-230/460 volt
- TEFC enclosure
- 1.15 service factor
- Class F insulation
- C-face - removable base
- 304 stainless steel threaded shaft
- Shaft slinger to keep moisture and contaminants from the drive-end bearing
- Inverter duty
- Suitable for 50 hz operation with 1.0 service factor

HP	RPM	Voltage	Frame	Model Number	List Price	FL Amps (A)	FL Eff. (%)	Approx. Wt. (lbs.)	Notes
1/3	3600	208-230/460	56J	ATJ13-36-56JB	\$200.51	0.8	57.0	22	
1/2	3600	208-230/460	56J	ATJ12-36-56JB	\$215.32	1.1	62.0	24	
3/4	3600	208-230/460	56J	ATJ34-36-56JB	\$237.51	1.5	67.0	25	
1	3600	208-230/460	56J	ATJ1-36-56JB	\$267.26	1.8	69.0	27	
1 1/2	3600	208-230/460	56J	ATJ1.5-36-56JB	\$293.37	2.3	72.0	30	
2	3600	208-230/460	56J	ATJ2-36-56JB	\$337.71	3.0	75.0	37	

When using any motor with a variable frequency drive, take precautions to eliminate or reduce shaft currents in order to prolong bearing life.

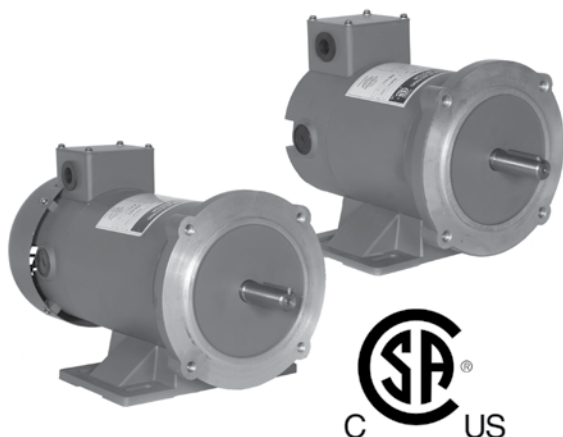
WORLDWIDE FRACTIONAL HP MOTORS

Permanent Magnet DC Motors

TENV / TEFC Enclosure ▪ C-Face ▪ Removable Base
90, 180, 12 and 24 Volt



WORLDWIDE FRACTIONAL HP



Product Overview

- 1/4 - 2 HP
- 1800 RPM
- 90, 180, 12 and 24 volt
- TENV enclosure - IP54 degree of protection (1/4 - 1/2 HP)
- TEFC enclosure - IP54 degree of protection (3/4 - 2 HP)
- 1.0 service factor
- Class F insulation
- C-face - removable base
- 20:1 speed range at constant torque
- High starting torque
- 12 volt and 24 volt models used in applications where low voltage DC power is supplied by batteries or generators

90 Volt and 180 Volt

HP	RPM	Voltage	Frame	Model Number	List Price	FL Amps (A)	FL Eff. (%)	Approx. Wt. (lbs.)	Notes
1/4	1800	90	56C	WPMDC14-18-90V-56CB	\$282.62	2.9	80.0	17	X
1/3	1800	90	56C	WPMDC13-18-90V-56CB	\$302.11	3.5	82.0	19	X
	1800	180	56C	WPMDC13-18-180V-56CB	\$298.86	1.8	82.0	19	X
1/2	1800	90	56C	WPMDC12-18-90V-56CB	\$386.57	5.2	82.0	22	X
	1800	180	56C	WPMDC12-18-180V-56CB	\$383.36	2.6	82.0	22	X
3/4	1800	90	56C	WPMDC34-18-90V-56CB	\$439.23	7.8	82.0	28	X
	1800	180	56C	WPMDC34-18-180V-56CB	\$435.30	3.9	82.0	28	X
1	1800	90	56C	WPMDC1-18-90V-56CB	\$491.17	10.4	82.0	32	X
	1800	180	56C	WPMDC1-18-180V-56CB	\$487.31	5.2	82.0	32	X
1 1/2	1800	90	56C	WPMDC1.5-18-90V-56CB	\$530.77	15.4	83.0	38	X
	1800	180	56C	WPMDC1.5-18-180V-56CB	\$526.23	7.7	83.0	38	X
	1800	180	145TC	WPMDC1.5-18-180V-145TCB	\$787.42	7.7	80.0	47	X
2	1800	180	56C	WPMDC2-18-180V-56CB	\$841.98	9.8	85.0	65	X
	1800	180	145TC	WPMDC2-18-180V-145TCB	\$1,103.18	9.8	80.0	65	X

12 Volt and 24 Volt

HP	RPM	Voltage	Frame	Model Number	List Price	FL Amps (A)	FL Eff. (%)	Approx. Wt. (lbs.)	Notes
1/3	1800	12	56C	WPMDC13-18-12V-56CB	\$360.61	26.4	78.0	19	X
	1800	24	56C	WPMDC13-18-24V-56CB	\$357.37	13.2	78.0	19	X
1/2	1800	12	56C	WPMDC12-18-12V-56CB	\$425.59	40.0	78.0	22	
	1800	24	56C	WPMDC12-18-24V-56CB	\$422.95	20.0	78.0	22	X
3/4	1800	12	56C	WPMDC34-18-12V-56CB	\$482.07	61.2	75.0	28	
	1800	24	56C	WPMDC34-18-24V-56CB	\$479.44	30.6	75.0	28	
1	3600	12	56C	WPMDC1-36-12V-56CB	\$532.10	82.2	75.0	26	
	1800	12	56C	WPMDC1-18-12V-56CB	\$536.65	82.2	75.0	33	
	1800	24	56C	WPMDC1-18-24V-56CB	\$534.02	41.1	75.0	33	
1 1/2	1800	24	56C	WPMDC1.5-18-24V-56CB	\$592.53	62.5	76.0	39	

X Extra set of brushes and brush springs included



WORLDWIDE FRACTIONAL HP MOTORS

Permanent Magnet DC Motors

Variable Speed DC Controls



Product Overview

- Dual voltage - 120/240 VAC, 50/60 hz
- Adjustable horsepower settings
- Barrier terminal strip
- Packaged bridge supply (fullwave)
- 1% speed regulation with armature voltage feedback; $\pm 1/2\%$ with tach feedback
- Adjustable minimum speed (0-30% of max.)
- Adjustable maximum speed (66-110% of base)
- Adjustable IR compensation
- Adjustable linear acceleration (0.5-8 sec.)
- Adjustable current limit to 15 amps
- Line voltage compensation
- 5K ohm speed potentiometer with leads, knob and dial included
- Power on / off switch
- 50:1 speed range
- Overload capacity: 150% for one minute
- Transient voltage protection
- Voltage following mode or DC tachometer follower by supplying underground analog input signal (0-12 VDC)
- DC tachometer feedback (6 V at base speed)
- Inhibit circuit - permits start and stop without breaking AC lines
- Remote start/stop via pot circuit or inhibit circuit
- Shunt field supply provided (1 amp max.; 100 V for 120 VAC; 200 V for 240 VAC input)
- AC line fuse
- Rated NEMA 4/12 with threaded conduit holes



Non-Reversing (ON / OFF)

Single-Phase Input	Output	HP Range	Model Number	List Price
120 VAC	0-90 VDC	1/8 - 1.0	WDCCONT	\$420.68
240 VAC	0-180 VDC	1/4 - 2.0	WDCCONT	\$420.68

Reversing (FORWARD / OFF / REVERSE)

Single-Phase Input	Output	HP Range	Model Number	List Price
120 VAC	0-90 VDC	1/8 - 1.0	WDCCONTREV	\$638.56
240 VAC	0-180 VDC	1/4 - 2.0	WDCCONTREV	\$638.56

WORLDWIDE FARM DUTY MOTORS HIGH EFFICIENCY

TEFC Enclosure ▪ Rigid Base

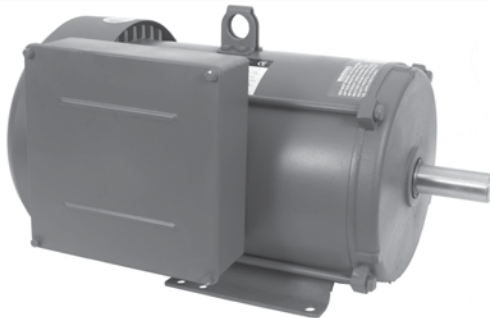
Single-Phase ▪ 115/230 Volt (Fractional) and 208-230 Volt (Integral)



115/230 Volt (Fractional)

- 1/3-2 HP
- 1800 RPM
- TEFC enclosure - IP54 enclosure degree of protection
- High torque
- 1.15 service factor
- Class F insulation
- Rigid base - 56H
- VPI copper windings
- Anti-rust film applied to rotor
- Capacitor start / induction run (1/3-1 HP)
- Capacitor start / capacitor run (1.5-2 HP) for reduced amperage and high torque
- With manual overload
- Improved shaft seal on drive-end protects drive-end bearing from moisture and contaminants
- FM2-18-56HZ - 7/8" diameter shaft

HP	RPM	Voltage	Frame	Model Number	List Price	FL Amps (A)	FL Eff. (%)	Approx. Wt. (lbs.)	Notes
1/3	1800	115/230	56	FM13-18-56	\$296.30	5.2	63.0	22	
1/2	1800	115/230	56	FM12-18-56	\$305.03	7.2	64.5	25	
3/4	1800	115/230	56	FM34-18-56	\$357.00	10.0	67.0	29	
1	1800	115/230	56	FM1-18-56	\$372.79	13.0	70.0	36	
1.5	1800	115/230	56H	FM1.5-18-56H	\$442.30	14.5	77.0	37	
2	1800	115/230	56HZ	FM2-18-56HZ	\$533.91	19.6	79.0	45	



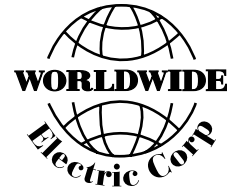
208-230 Volt (Integral)

- 2-10 HP
- 1800 RPM
- 208-230 volt
- TEFC enclosure - IP55 degree of protection
- 1.15 service factor
- Class F insulation
- Rigid base
- With manual overload
- Shaft seals on both ends of the motor

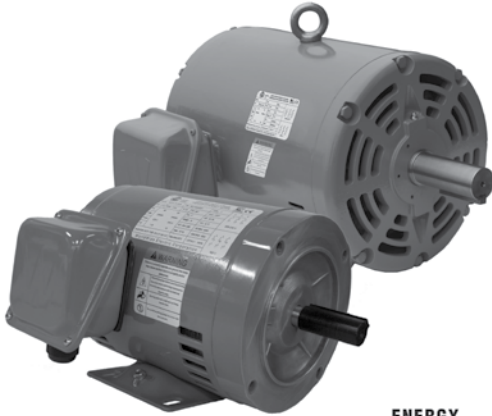
HP	RPM	Voltage	Frame	Model Number	List Price	FL Amps (A)	FL Eff. (%)	Approx. Wt. (lbs.)	Notes
2	1800	208-230	182T	FARM2-18-182T	\$605.73	8.5	82.5	74	
3	1800	208-230	184T	FARM3-18-184T	\$758.69	12.9	81.5	85	
5	1800	208-230	184T	FARM5-18-184T	\$894.60	21.2	81.0	105	
7.5	1800	208-230	215TZ	FARM7.5-18-215TZ	\$1,377.23	31.2	85.9	159	
10	1800	208-230	215T	FARM10-18-215T	\$1,605.23	39.4	87.2	187	

WORLDWIDE OPEN DRIP PROOF (ODP) MOTORS PREMIUM EFFICIENCY

ODP Enclosure ▪ Rigid Base
Three-Phase ▪ 208-230/460 Volt



WORLDWIDE
OPEN DRIP PROOF



Product Overview

- 1/2-50 HP (larger ratings coming soon)
- 3600 and 1800 RPM (1200 RPM coming soon)
- 208-230/460 volt, 60 Hz
- 190/380 volt, 50 Hz
- ODP enclosure (rolled steel enclosure)
- IP23 degree of protection
- 1.15 service factor (1.0 SF for 50 Hz applications)
- Class F insulation
- Rigid base (56C-face removable base)
- Premium efficiency
- Class B temperature rise
- Inverter duty, 10:1 CT / 20:1 VT (1.0 service factor)
- Inverter grade magnet wire meets or exceeds NEMA MG-1 Part 31
- Pre-drilled and tapped drive endbells on 182T frame and up to accept Inpro® Current Diverter Grounding Rings; No machining required, simple and easy installation
- Exclusive double VPI process for winding insulation
- Double drilled feet to accommodate mounting flexibility (143T-326T)

HP	RPM	Voltage	Frame	Model Number	List Price	Notes
1/2	3600	208-230/460	56C	ODP12-36-56CB	\$282.47	1
	1800	208-230/460	56C	ODP12-18-56CB	\$305.65	1
3/4	3600	208-230/460	56C	ODP34-36-56CB	\$300.71	1
	1800	208-230/460	56C	ODP34-18-56CB	\$324.47	1
1	3600	208-230/460	143T	ODP1-36-143T	\$377.88	
	1800	208-230/460	143T	ODP1-18-143T	\$334.21	
	1200	208-230/460	145T	ODP1-12-145T	\$430.51	
1.5	3600	208-230/460	143T	ODP-1.5-36-143T	\$441.84	
	1800	208-230/460	145T	ODP-1.5-18-145T	\$415.78	
	1200	208-230/460	182T	ODP-1.5-12-182T	\$540.90	
2	3600	208-230/460	145T	ODP2-36-145T	\$497.84	
	1800	208-230/460	145T	ODP2-18-145T	\$441.00	
	1200	208-230/460	184T	ODP2-12-184T	\$666.50	
3	3600	208-230/460	145T	ODP3-36-145T	\$532.48	
	1800	208-230/460	182T	ODP3-18-182T	\$530.99	
	1200	208-230/460	213T	ODP3-12-213T	\$1,099.61	
5	3600	208-230/460	182T	ODP5-36-182T	\$612.54	
	1800	208-230/460	184T	ODP5-18-184T	\$633.72	
	1200	208-230/460	215T	ODP5-12-215T	\$1,241.55	
7.5	3600	208-230/460	184T	ODP7.5-36-184T	\$865.46	
	1800	208-230/460	213T	ODP7.5-18-213T	\$860.90	
	1200	208-230/460	254T	ODP7.5-12-254T	\$1,542.74	

More ODP Coming Soon ...

- Larger Ratings (50+ HP)
- 6-Pole (1200 RPM)
- Close Coupled Pump Motors

1 56C-face removable base

10 Stock Products Catalog

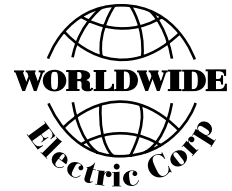


When using any motor with a variable frequency drive, take precautions to eliminate or reduce shaft currents in order to prolong bearing life.

www.worldwideelectric.net

WORLDWIDE OPEN DRIP PROOF (ODP) MOTORS PREMIUM EFFICIENCY

ODP Enclosure ▪ Rigid Base
Three-Phase ▪ 208-230/460 Volt



HP	RPM	Voltage	Frame	Model Number	List Price	Notes
10	3600	208-230/460	213T	ODP10-36-213T	\$1,003.34	
	1800	208-230/460	215T	ODP10-18-215T	\$1,027.42	
	1200	208-230/460	256T	ODP10-12-256T	\$1,764.31	
15	3600	208-230/460	215T	ODP15-36-215T	\$1,309.62	
	1800	208-230/460	254T	ODP15-18-254T	\$1,405.69	
	1200	208-230/460	284T	ODP15-12-284T	\$2,382.91	
20	3600	208-230/460	254T	ODP20-36-254T	\$1,662.37	
	1800	208-230/460	256T	ODP20-18-256T	\$1,722.63	
	1200	208-230/460	286T	ODP20-12-286T	\$2,807.17	
25	3600	208-230/460	256T	ODP25-36-256T	\$2,023.50	
	1800	208-230/460	284T	ODP25-18-284T	\$2,095.61	
	1200	208-230/460	324T	ODP25-12-324T	\$3,561.93	
30	3600	208-230/460	284TS	ODP30-36-284TS	\$2,417.00	
	1800	208-230/460	286T	ODP30-18-286T	\$2,389.73	
	1200	208-230/460	326T	ODP30-12-326T	\$3,741.20	
40	3600	208-230/460	286TS	ODP40-36-286TS	\$3,082.43	
	1800	208-230/460	324T	ODP40-18-324T	\$3,122.90	
50	3600	208-230/460	324TS	ODP50-36-324TS	\$3,727.70	
	1800	208-230/460	326T	ODP50-18-326T	\$3,601.62	

WORLDWIDE
OPEN DRIP PROOF

Inpro® Current Diverter Grounding Rings



Frame	Model Number	List Price
182T	CDR-180T	\$308.82
184T	CDR-180T	\$308.82
213T	CDR-210T	\$382.35
215T	CDR-210T	\$382.35
254T	CDR-250T/280TS	\$448.53
256T	CDR-250T/280TS	\$448.53
284T	CDR-280T/320TS/360TS	\$514.71
284TS	CDR-250T/280TS	\$448.53
286T	CDR-280T/320TS/360TS	\$514.71
286TS	CDR-250T/280TS	\$448.53
324T	CDR-320T/400TS	\$588.24
324TS	CDR-280T/320TS/360TS	\$514.71
326T	CDR-320T/400TS	\$588.24

More ODP Coming Soon ...

- Larger Ratings (50+ HP)
- 6-Pole (1200 RPM)
- Close Coupled Pump Motors

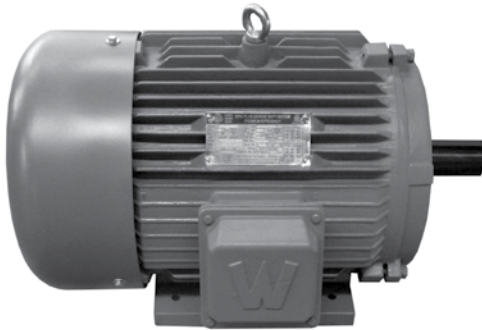


WORLDWIDE EPIC PLUS SEVERE DUTY MOTORS

PREMIUM EFFICIENCY

TEFC Enclosure ▪ Rigid Base

Three-Phase ▪ 208-230/460 and 460 Volt



Product Overview

- 1-300 HP
- 3600, 1800 and 1200 RPM
- 208-230/460 volt, 60 Hz (449T frame 460 volt only)
- 200/400 volt, 50 Hz
- Rigid base

+ Protection

- TEFC enclosure - IP55 degree of protection
- CSA Certified for Class I, Division 2, Groups A, B, C, D
- Class F insulation
- Suitable for IEEE45 marine applications

+ Performance

- Premium efficiency
- 1.25 service factor (1.0 SF for 50 Hz applications)
- Inverter duty, 10:1 CT / 20:1 VT (1.0 service factor)
- Dual rated for 50/60 Hz

+ Reliability

- Oversized bearings
- Metal clad V type sealing rings
- Spike resistant inverter grade magnet wire per NEMA MG1 Part 31

WORLDWIDE EPIC PLUS SEVERE DUTY

HP	RPM	Voltage	Frame	Model Number	List Price	FL Amps (A)	FL Eff. (%)	Approx. Wt. (lbs.)	Notes
1	1800	208-230/460	143T	EP1-18-143T	\$344.20	1.6	86.3	49	
	1200	208-230/460	145T	EP1-12-145T	\$478.80	1.6	82.5	51	
1.5	3600	208-230/460	143T	EP1.5-36-143T	\$467.44	2.0	85.5	48	
	1800	208-230/460	145T	EP1.5-18-145T	\$424.76	2.3	87.3	55	
2	1200	208-230/460	182T	EP1.5-12-182T	\$547.04	2.2	87.5	91	
	3600	208-230/460	145T	EP2-36-145T	\$508.24	2.7	86.6	56	
3	1800	208-230/460	145T	EP2-18-145T	\$450.04	3.0	87.3	58	
	1200	208-230/460	184T	EP2-12-184T	\$718.49	2.9	88.5	102	
5	3600	208-230/460	182T	EP3-36-182T	\$613.73	3.9	88.0	79	
	1800	208-230/460	182T	EP3-18-182T	\$633.65	4.0	90.3	98	
7.5	1200	208-230/460	213T	EP3-12-213T	\$967.27	4.2	89.5	165	
	3600	208-230/460	184T	EP5-36-184T	\$759.31	6.3	89.0	95	
10	1800	208-230/460	184T	EP5-18-184T	\$742.49	6.7	90.3	115	
	1200	208-230/460	215T	EP5-12-215T	\$1,199.65	6.9	89.5	171	
15	3600	208-230/460	213T	EP7.5-36-213T	\$1,146.55	9.2	89.7	176	
	1800	208-230/460	213T	EP7.5-18-213T	\$981.72	9.3	91.8	158	
20	1200	208-230/460	254T	EP7.5-12-254T	\$1,576.55	10.4	91.1	251	
	3600	208-230/460	215T	EP10-36-215T	\$1,190.18	12.2	90.3	180	
25	1800	208-230/460	215T	EP10-18-215T	\$1,189.28	12.5	91.8	175	
	1200	208-230/460	256T	EP10-12-256T	\$1,978.52	13.9	91.0	330	
30	3600	208-230/460	254T	EP15-36-254T	\$1,927.95	18.2	91.2	276	
	1800	208-230/460	254T	EP15-18-254T	\$1,709.26	17.1	92.5	2	
40	1200	208-230/460	284T	EP15-12-284T	\$2,484.38	20.2	91.7	419	
	3600	208-230/460	256T	EP20-36-256T	\$2,349.94	24.2	91.2	293	
50	1800	208-230/460	256T	EP20-18-256T	\$1,963.91	24.0	93.8	436	
	1200	208-230/460	286T	EP20-12-286T	\$3,098.69	26.2	91.7	449	
75	3600	208-230/460	284TS	EP25-36-284TS	\$2,900.22	29.4	91.9	350	
	1800	208-230/460	284T	EP25-18-284T	\$2,561.76	29.8	93.6	406	
100	1200	208-230/460	324T	EP25-12-324T	\$3,524.24	32.3	93.0	629	

When using any motor with a variable frequency drive, take precautions to eliminate or reduce shaft currents in order to prolong bearing life.



WORLDWIDE EPIC PLUS SEVERE DUTY MOTORS PREMIUM EFFICIENCY

TEFC Enclosure ▪ Rigid Base

Three-Phase ▪ 208-230/460 and 460 Volt



HP	RPM	Voltage	Frame	Model Number	List Price	FL Amps (A)	FL Eff. (%)	Approx. Wt. (lbs.)	Notes
30	3600	208-230/460	286TS	EP30-36-286TS	\$2,966.88	35.2	91.9	384	
	1800	208-230/460	286T	EP30-18-286T	\$2,902.02	35.7	93.7	448	
	1200	208-230/460	326T	EP30-12-326T	\$4,137.14	38.8	93.0	660	
40	3600	208-230/460	324TS	EP40-36-324TS	\$3,820.89	46.6	92.7	560	
	1800	208-230/460	324T	EP40-18-324T	\$3,688.00	47.4	94.4	684	
	1200	208-230/460	364T	EP40-12-364T	\$5,141.67	49.8	94.1	933	
50	3600	208-230/460	326TS	EP50-36-326TS	\$4,800.62	57.2	93.2	598	
	1800	208-230/460	326T	EP50-18-326T	\$4,191.00	60.4	94.5	580	
	1200	208-230/460	365T	EP50-12-365T	\$6,742.06	62.3	94.1	968	
60	3600	208-230/460	364TS	EP60-36-364TS	\$6,583.21	68.3	93.6	710	
	1800	208-230/460	364T	EP60-18-364T	\$5,536.11	68.8	95.1	805	
	1200	208-230/460	404T	EP60-12-404T	\$7,454.21	72.6	94.5	1020	
75	3600	208-230/460	365TS	EP75-36-365TS	\$7,883.40	85.3	93.6	849	
	1800	208-230/460	365T	EP75-18-365T	\$6,401.54	83.8	95.4	891	
	1200	208-230/460	405T	EP75-12-405T	\$7,812.45	90.7	94.5	1180	R
100	3600	208-230/460	405TS	EP100-36-405TS	\$9,491.49	111	94.2	1007	
	1800	208-230/460	405T	EP100-18-405T	\$7,905.89	114	95.4	1197	R
	1800	208-230/460	405T	EP100-18-405TBB	\$7,905.89	114	95.4	1197	
	1200	208-230/460	444T	EP100-12-444T	\$11,305.61	120	95.0	1368	R
125	3600	208-230/460	444TS	EP125-36-444TS	\$12,398.69	137	95.0	1366	
	1800	208-230/460	444T	EP125-18-444T	\$10,611.74	143	95.4	1609	R
	1800	208-230/460	444T	EP125-18-444TBB	\$10,611.74	143	95.4	1609	
	1200	208-230/460	445T	EP125-12-445T	\$13,172.73	147	95.0	1750	R
150	3600	208-230/460	445TS	EP150-36-445TS	\$14,267.15	165	95.0	1496	
	1800	208-230/460	445T	EP150-18-445T	\$11,653.09	171	95.8	2062	R
	1800	208-230/460	445T	EP150-18-445TBB	\$11,653.09	171	95.8	2062	
	1200	208-230/460	445/7T	EP150-12-445/7T	\$16,826.14	175	95.8	2670	R
200	3600	208-230/460	445/7TS	EP200-36-445/7TS	\$19,283.65	219	95.4	1730	
	1800	208-230/460	445/7T	EP200-18-445/7T	\$15,487.29	227	96.3	2123	R
	1800	208-230/460	445/7T	EP200-18-445/7TBB	\$15,487.29	227	96.3	2123	
	1200	460	449T	EP200-12-449T	\$19,909.05	232	95.8	2678	R
250	1800	460	449T	EPCR250-18-449T	\$23,010.75	283	96.2	2498	R
300	1800	460	449T	EPCR300-18-449T	\$27,886.06	340	96.2	2698	R

WORLDWIDE
EPIC PLUS SEVERE DUTY

EPIC Plus Motor C-Flange Kits

Frame Size	Model Number	List Price	Approx. Wt. (lbs.)
143T / 145T	EP140TC	\$45.47	7
182T / 184T	EP180TC	\$97.73	14
213T / 215T	EP210TC	\$121.32	14
254T / 256T	EP250TC	\$219.85	36
284T / 286T	EP280TC	\$272.18	38
324T / 326T	EP320TC	\$373.10	48
364T / 365T	EP360TC	\$565.99	55
404T / 405T (2 Pole)	EP400TC-2	\$961.58	148
404T / 405T (4/6 Pole)	EP400TC-4/6	\$961.58	148
444T / 445T (2 Pole)	EP444/5/7TC-2	\$961.58	155
444T / 445T (4/6 Pole)	EP444/5TC-4/6	\$961.58	155
447T (2 Pole)	EP444/5/7TC-2	\$961.58	155
447T (4/6 Pole)	EP445/7TC-4/6	\$961.58	155

R Roller bearing on drive end for belted applications

www.worldwideelectric.net



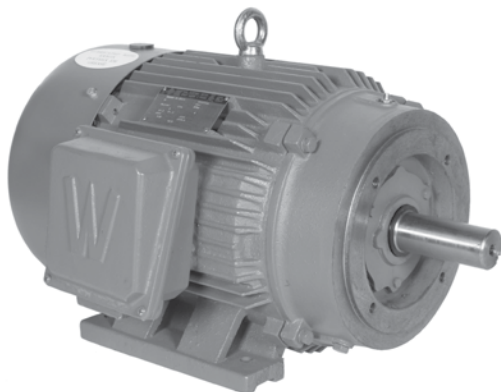
When using any motor with a variable frequency drive, take precautions to eliminate or reduce shaft currents in order to prolong bearing life.

Stock Products Catalog

WORLDWIDE EPIC PLUS SEVERE DUTY MOTORS

PREMIUM EFFICIENCY

TEFC Enclosure ▪ C-Face ▪ Rigid Base
Three-Phase ▪ 208-230/460 and 460 Volt



Product Overview

- 1-200 HP
- 3600, 1800 and 1200 RPM
- 208-230/460 volt, 60 Hz (449TC frame 460 volt only)
- 200/400 volt, 50 Hz
- C-face - rigid base

+ Protection

- TEFC enclosure - IP55 degree of protection
- CSA Certified for Class I, Division 2, Groups A, B, C, D
- Class F insulation
- Suitable for IEEE45 marine applications

+ Performance

- Premium efficiency
- 1.25 service factor (1.0 SF for 50 Hz applications)
- Inverter duty, 10:1 CT / 20:1 VT (1.0 service factor)
- Dual rated for 50/60 Hz

+ Reliability

- Oversized bearings
- Metal clad V type sealing rings
- Spike resistant inverter grade magnet wire per NEMA MG1 Part 31

WORLDWIDE
EPIC PLUS SEVERE DUTY

HP	RPM	Voltage	Frame	Model Number	List Price	FL Amps (A)	FL Eff. (%)	Approx. Wt. (lbs.)	Notes
1	1800	208-230/460	143TC	EP1-18-143TC	\$358.54	1.6	86.3	49	
	1200	208-230/460	145TC	EP1-12-145TC	\$498.75	1.6	82.5	51	
1.5	3600	208-230/460	143TC	EP1.5-36-143TC	\$486.92	2.0	85.5	48	
	1800	208-230/460	145TC	EP1.5-18-145TC	\$442.46	2.3	87.3	55	
2	3600	208-230/460	145TC	EP2-36-145TC	\$529.42	2.7	86.6	56	
	1800	208-230/460	145TC	EP2-18-145TC	\$468.79	3.0	87.3	58	
3	3600	208-230/460	182TC	EP3-36-182TC	\$639.30	3.9	88.0	79	
	1800	208-230/460	182TC	EP3-18-182TC	\$660.05	4.0	90.3	98	
	1200	208-230/460	213TC	EP3-12-213TC	\$1,007.57	4.2	89.5	165	
5	3600	208-230/460	184TC	EP5-36-184TC	\$790.95	6.3	89.0	95	
	1800	208-230/460	184TC	EP5-18-184TC	\$773.43	6.7	90.3	115	
	1200	208-230/460	215TC	EP5-12-215TC	\$1,249.64	6.9	89.5	171	
7.5	3600	208-230/460	213TC	EP7.5-36-213TC	\$1,194.32	9.2	89.7	176	
	1800	208-230/460	213TC	EP7.5-18-213TC	\$1,022.63	9.3	91.8	158	
	1200	208-230/460	254TC	EP7.5-12-254TC	\$1,642.24	10.4	91.1	251	
10	3600	208-230/460	215TC	EP10-36-215TC	\$1,239.77	12.2	90.3	180	
	1800	208-230/460	215TC	EP10-18-215TC	\$1,238.83	12.5	91.8	175	
	1200	208-230/460	256TC	EP10-12-256TC	\$2,060.96	13.9	91.0	251	
15	3600	208-230/460	254TC	EP15-36-254TC	\$2,008.28	18.2	91.2	276	
	1800	208-230/460	254TC	EP15-18-254TC	\$1,780.48	17.1	92.5	294	
	1200	208-230/460	284TC	EP15-12-284TC	\$2,587.90	20.2	91.7	419	
20	3600	208-230/460	256TC	EP20-36-256TC	\$2,447.86	24.2	91.2	298	
	1800	208-230/460	256TC	EP20-18-256TC	\$2,045.74	24.0	93.8	436	
	1200	208-230/460	286TC	EP20-12-286TC	\$3,227.81	26.2	91.7	449	

When using any motor with a variable frequency drive, take precautions to eliminate or reduce shaft currents in order to prolong bearing life.



WORLDWIDE EPIC PLUS SEVERE DUTY MOTORS PREMIUM EFFICIENCY

TEFC Enclosure ▪ C-Face ▪ Rigid Base
Three-Phase ▪ 208-230/460 and 460 Volt



HP	RPM	Voltage	Frame	Model Number	List Price	FL Amps (A)	FL Eff. (%)	Approx. Wt. (lbs.)	Notes
25	3600	208-230/460	284TCS	EP25-36-284TSC	\$3,021.07	29.4	91.9	350	
	1800	208-230/460	284TC	EP25-18-284TC	\$2,668.50	29.8	93.6	406	
	1200	208-230/460	324TC	EP25-12-324TC	\$3,671.08	32.3	93.0	629	
30	3600	208-230/460	286TCS	EP30-36-286TSC	\$3,090.50	35.2	91.9	384	
	1800	208-230/460	286TC	EP30-18-286TC	\$3,022.94	35.7	93.7	448	
	1200	208-230/460	326TC	EP30-12-326TC	\$4,309.52	38.8	93.0	660	
40	1800	208-230/460	324TC	EP40-18-324TC	\$3,841.67	47.4	94.4	684	
	1200	208-230/460	364TC	EP40-12-364TC	\$5,355.91	49.8	94.1	933	
50	1800	208-230/460	326TC	EP50-18-326TC	\$4,365.63	60.4	94.5	580	
	1200	208-230/460	365TC	EP50-12-365TC	\$7,022.98	62.3	94.1	968	
60	1800	208-230/460	364TC	EP60-18-364TC	\$5,766.78	68.8	95.1	805	
	1200	208-230/460	404TC	EP60-12-404TC	\$7,764.80	72.6	94.5	1020	
75	3600	208-230/460	365TCS	EP75-36-365TSC	\$8,211.88	85.3	93.6	849	
	1800	208-230/460	365TC	EP75-18-365TC	\$6,668.27	83.8	95.4	891	
	1200	208-230/460	405TC	EP75-12-405TC	\$8,137.97	90.7	94.5	1180	
100	1800	208-230/460	405TC	EP100-18-405TC	\$8,235.31	114	95.4	1198	
125	1800	208-230/460	444TC	EP125-18-444TC	\$11,053.90	143	95.4	1609	
150	1800	208-230/460	445TC	EP150-18-445TC	\$12,138.64	171	95.8	2062	
200	1800	208-230/460	445/7TC	EP200-18-445/7TC	\$16,132.60	227	96.3	2124	

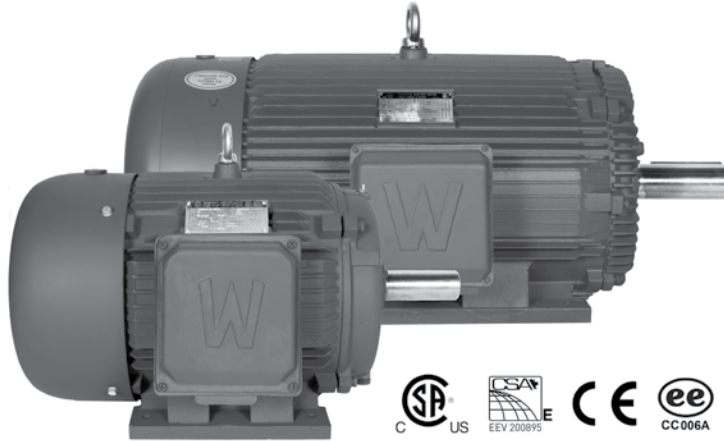
WORLDWIDE
EPIC PLUS SEVERE DUTY



WORLDWIDE GENERAL PURPOSE MOTORS PREMIUM EFFICIENCY

TEFC Enclosure ▪ Rigid Base

Three-Phase ▪ 208-230/460 and 460 Volt



Product Overview

- 3-300 HP (900 RPM)
 - 250-500 HP ; 3600, 1800, 1200 and 900 RPM
 - 208-230/460 and 460 volt
 - TEFC enclosure
 - 1.15 service factor
 - Class F insulation
 - Rigid base
 - Premium efficiency
 - Inverter ready, 2:1 CT / 4:1 VT (3-200 HP)
 - Inverter ready, 3:1 CT / 6:1 VT (250-500 HP)
 - Suitable for 50 hz operation with 1.0 service factor (1-150 HP)
- Please consult Worldwide Electric for 200 HP and above

WORLDWIDE
GENERAL PURPOSE

HP	RPM	Voltage	Frame	Model Number	List Price	FL Amps (A)	FL Eff. (%)	Approx. Wt. (lbs.)	Notes
3	900	208-230/460	215T	PEWWE3-9-215T	\$1,543.20	4.8	85.5	154	
5	900	208-230/460	254T	PEWWE5-9-254T	\$2,098.82	7.3	86.5	219	
7.5	900	208-230/460	256T	PEWWE7.5-9-256T	\$2,286.91	10.8	86.5	249	
10	900	208-230/460	284T	PEWWE10-9-284T	\$2,955.05	13.8	89.5	347	
15	900	208-230/460	286T	PEWWE15-9-286T	\$3,324.31	20.4	89.5	390	
20	900	208-230/460	324T	PEWWE20-9-324T	\$4,646.81	26.3	90.2	501	
25	900	208-230/460	326T	PEWWE25-9-326T	\$5,033.73	32.9	90.2	552	
30	900	208-230/460	364T	PEWWE30-9-364T	\$5,738.18	40.8	91.7	731	
40	900	208-230/460	365T	PEWWE40-9-365T	\$7,274.34	54.5	91.7	796	
50	900	208-230/460	404T	PEWWE50-9-404T	\$9,309.87	66.7	92.4	968	R
60	900	208-230/460	405T	PEWWE60-9-405T	\$10,692.84	80.0	92.4	1058	R
75	900	208-230/460	444T	PEWWE75-9-444T	\$12,571.91	101	93.6	1325	R
100	900	208-230/460	445T	PEWWE100-9-445T	\$13,407.50	135	93.6	1546	R
125	900	208-230/460	445/7T	PEWWE125-9-445/7T	\$17,495.53	168	94.1	1782	R
150	900	208-230/460	449T	PEWWE150-9-449T	\$19,917.31	194	94.1	2486	R
200	900	208-230/460	449T	PEWWE200-9-449T	\$22,389.77	254	94.5	2971	R
250	3600	460	449TS	PEWWE250-36-449TS	\$21,660.52	269	95.8	2200	
	1800	460	449T	PEWWE250-18-449T	\$20,433.50	280	96.2	2508	R
	1800	460	449T	PEWWE250-18-449TBB	\$20,433.50	280	96.2	2508	
	1800	460	449TS	PEWWE250-18-449TSBB	\$24,039.41	280	96.2	2508	
	1800	460	505Z	PEWWE250-18-505Z	\$22,261.48	280	96.2	2360	R
	1800	460	505UZ	PEWWE250-18-505UZ	\$22,261.48	280	96.2	2360	R
	1200	460	449T	PEWWE250-12-449T	\$24,778.17	298	95.8	2750	R
	1200	460	449T	PEWWE250-12-449TBB	\$24,778.17	298	95.8	2750	
	1200	460	586/7	PEWWE250-12-586/7	\$33,242.02	287	95.8	3737	R
	1200	460	586/7UZ	PEWWE250-12-586/7UZ	\$33,242.02	287	95.8	3737	R
300	900	460	586/7	PEWWE250-9-586/7	\$36,913.14	312	95.0	4030	R
	1800	460	449T	PEWWE300-18-449T	\$25,354.03	336	96.2	2728	R
	1800	460	449T	PEWWE300-18-449TBB	\$25,354.03	336	96.2	2728	
	1800	460	449TS	PEWWE300-18-449TSBB	\$29,828.27	336	96.2	2728	
	1800	460	586/7	PEWWE300-18-586/7	\$32,553.41	324	96.2	3873	R
	1800	460	586/7	PEWWE300-18-586/7BB	\$32,553.41	324	96.2	3873	
	1800	460	586/7UZ	PEWWE300-18-586/7UZ	\$32,553.41	324	96.2	3873	R

R Roller bearing on drive end for belted applications



When using any motor with a variable frequency drive, take precautions to eliminate or reduce shaft currents in order to prolong bearing life.

WORLDWIDE GENERAL PURPOSE MOTORS PREMIUM EFFICIENCY

TEFC Enclosure ▪ Rigid Base

Three-Phase ▪ 208-230/460 and 460 Volt



HP	RPM	Voltage	Frame	Model Number	List Price	FL Amps (A)	FL Eff. (%)	Approx. Wt. (lbs.)	Notes
300	1200	460	449T	PEWWE300-12-449T	\$27,595.26	353	95.8	2977	R
	1200	460	586/7	PEWWE300-12-586/7	\$35,808.69	341	95.8	4136	R
	1200	460	586/7	PEWWE300-12-586/7BB	\$35,808.69	341	95.8	4136	
	1200	460	586/7UZ	PEWWE300-12-586/7UZ	\$35,808.69	341	95.8	4136	R
	900	460	586/7	PEWWE300-9-586/7	\$37,486.41	374	95.0	4440	R
	900	460	586/7UZ	PEWWE300-9-586/7UZ	\$37,486.41	374	95.0	4440	R
350	1800	460	586/7	PEWWE350-18-586/7	\$37,004.46	374	96.2	4070	R
	1800	460	586/7	PEWWE350-18-586/7BB	\$37,004.46	374	96.2	4070	
	1800	460	586/7UZ	PEWWE350-18-586/7UZ	\$37,004.46	374	96.2	4070	R
	1200	460	449T	PEWWE350-12-449T	\$33,522.02	407	95.8	2930	R
	1200	460	586/7	PEWWE350-12-586/7	\$39,489.79	398	95.8	4145	R
	1200	460	586/7UZ	PEWWE350-12-586/7UZ	\$39,489.79	398	95.8	4145	R
400	1800	460	586/7	PEWWE400-18-586/7	\$37,874.62	428	96.2	4374	R
	1800	460	586/7	PEWWE400-18-586/7BB	\$37,874.62	428	96.2	4374	
	1800	460	586/7UZ	PEWWE400-18-586/7UZ	\$37,874.62	428	96.2	4374	R
	1200	460	586/7	PEWWE400-12-586/7	\$40,253.53	449	95.8	4707	R
	1200	460	586/7	PEWWE400-12-586/7BB	\$40,253.53	449	95.8	4707	
	1200	460	586/7UZ	PEWWE400-12-586/7UZ	\$40,253.53	449	95.8	4707	R
450	1800	460	586/7	PEWWE450-18-586/7	\$43,152.00	481	96.2	4500	R
	1200	460	586/7	PEWWE450-12-586/7	\$44,201.44	506	95.8	4850	R ▲
500	1800	460	586/7	PEWWE500-18-586/7	\$44,567.03	535	96.2	4630	R
	1800	460	586/7	PEWWE500-18-586/7BB	\$44,567.03	535	96.2	4630	
	1800	460	586/7UZ	PEWWE500-18-586/7UZ	\$44,567.03	535	96.2	4630	R
	1200	460	586/7	PEWWE500-12-586/7	\$47,475.90	562	95.8	4740	R ▲
	1200	460	586/7UZ	PEWWE500-12-586/7UZ	\$47,475.90	562	95.8	4740	R ▲

PEWWE Motor C-Flange Kits

Frame Size	Model Number	List Price	Approx. Wt. (lbs.)
143T / 145T	PEW140TC	\$33.12	7
182T / 184T	PEW180TC	\$46.02	14
213T / 215T	PEW210TC	\$64.40	14
254T / 256T	PEW250TC	\$110.42	36
284T / 286T	PEW280TC	\$138.07	38
324T / 326T	PEW320TC	\$193.28	48
364T / 365T	PEW360TC	\$276.08	55
404T / 405T (2 Pole)	PEW400TC-2	\$409.85	148
404T / 405T (4/6/8 Pole)	PEW400TC	\$409.85	148
444T / 445T (2 Pole)	PEW444/STC-2	\$433.95	155
444T / 445T (4/6/8 Pole)	PEW444/STC	\$433.95	155
447T (2 Pole)	PEW447TC-2	\$433.95	160
447T (4/6/8 Pole)	PEW447TC	\$433.95	160
449T (2 Pole)	---	---	---
449T (4/6/8 Pole)	PEW449TC	\$634.86	160
505Z / 505UZ	---	---	---
586/7 / 586/7UZ	---	---	---

PEWWE Motor D-Flange Kits

Frame Size	Model Number	List Price	Approx. Wt. (lbs.)
143T / 145T	PEW140TD	\$33.12	7
182T / 184T	PEW180TD	\$46.02	14
213T / 215T	PEW210TD	\$64.40	14
254T / 256T	PEW250TD	\$110.42	36
284T / 286T	PEW280TD	\$138.07	38
324T / 326T	PEW320TD	\$193.28	48
364T / 365T	PEW360TD	\$276.08	55
404T / 405T (2 Pole)	PEW400TD-2	\$409.85	148
404T / 405T (4/6/8 Pole)	PEW400TD	\$409.85	148
444T / 445T (2 Pole)	PEW444/STD-2	\$433.95	155
444T / 445T (4/6/8 Pole)	PEW444/STD	\$433.95	155
447T (2 Pole)	PEW447TD-2	\$433.95	160
447T (4/6/8 Pole)	PEW447TD	\$433.95	160
449T (2 Pole)	---	---	---
449T (4/6/8 Pole)	PEW449TD	\$634.86	160
505Z / 505UZ	---	---	---
586/7 / 586/7UZ	---	---	---

R Roller bearing on drive end for belted applications
▲ 1.0 service factor

When using any motor with a variable frequency drive, take precautions to eliminate or reduce shaft currents in order to prolong bearing life.



WORLDWIDE EXPLOSION PROOF MOTORS PREMIUM / HIGH EFFICIENCY ▪ INVERTER DUTY

TEXP Enclosure ▪ Rigid Base

Three-Phase ▪ 208-230/460 and 460 Volt



Product Overview

- 1-300 HP
- 3600, 1800 and 1200 RPM
- 208-230/460 volt (1-100 HP)
- 460 volt (125-300 HP)
- TEXP enclosure
- 1.15 service factor
- Class F insulation
- Rigid base
- Premium efficiency (1-200 HP)
- High efficiency (250-300 HP)
- Inverter duty, 5:1 CT / 10:1 VT (1-200 HP only)
- Normally closed winding thermostats provided
- UL Listed Class 1, Div. 1, Groups C & D; Class 2, Div. 1, Groups F & G; T3C; inverter duty (1-200 HP), 40°C amb. temp. as standard
 - 143T-215T: Class 1, Div. 1, Groups C & D; T3C; inverter duty (1-200 HP); 55°C amb. temp.
 - 254T-449T: Class 1, Div. 1, Groups C & D; T2C; inverter duty (1-200 HP); 55°C amb. temp.

HP	RPM	Voltage	Frame	Model Number	List Price	FL Amps (A)	FL Eff. (%)	Approx. Wt. (lbs.)	Notes
1	1800	208-230/460	143T	IXPEWWE1-18-143T	\$829.42	1.4	85.5	62	
1.5	1800	208-230/460	145T	IXPEWWE1.5-18-145T	\$905.67	2.0	86.5	88	
	1200	208-230/460	182T	IXPEWWE1.5-12-182T	\$1,001.06	2.1	87.5	115	
2	3600	208-230/460	145T	IXPEWWE2-36-145T	\$948.60	2.5	85.5	75	
	1800	208-230/460	145T	IXPEWWE2-18-145T	\$1,001.06	2.6	86.5	88	
	1200	208-230/460	184T	IXPEWWE2-12-184T	\$1,268.00	2.8	88.5	130	
3	3600	208-230/460	182T	IXPEWWE3-36-182T	\$1,163.13	3.5	86.5	115	
	1800	208-230/460	182T	IXPEWWE3-18-182T	\$1,215.55	3.8	89.5	130	
	1200	208-230/460	213T	IXPEWWE3-12-213T	\$1,539.68	4.0	89.5	238	
5	3600	208-230/460	184T	IXPEWWE5-36-184T	\$1,434.82	6.0	88.5	128	
	1800	208-230/460	184T	IXPEWWE5-18-184T	\$1,434.82	7.0	89.5	183	
	1200	208-230/460	215T	IXPEWWE5-12-215T	\$1,973.49	7.5	89.5	295	
7.5	3600	208-230/460	213T	IXPEWWE7.5-36-213T	\$1,701.79	8.3	89.5	253	
	1800	208-230/460	213T	IXPEWWE7.5-18-213T	\$1,882.93	8.9	91.7	254	
	1200	208-230/460	254T	IXPEWWE7.5-12-254T	\$2,203.57	12.5	91.0	386	
10	3600	208-230/460	215T	IXPEWWE10-36-215T	\$1,968.71	11.5	90.2	262	
	1800	208-230/460	215T	IXPEWWE10-18-215T	\$2,035.44	12.2	91.7	262	
	1200	208-230/460	256T	IXPEWWE10-12-256T	\$2,769.55	12.5	91.0	384	
15	3600	208-230/460	254T	IXPEWWE15-36-254T	\$2,755.23	16.5	91.0	401	
	1800	208-230/460	254T	IXPEWWE15-18-254T	\$2,755.23	17.5	92.4	403	
	1200	208-230/460	284T	IXPEWWE15-12-284T	\$3,549.14	22.8	91.7	476	
20	3600	208-230/460	256T	IXPEWWE20-36-256T	\$2,923.58	22.8	91.0	434	
	1800	208-230/460	256T	IXPEWWE20-18-256T	\$3,043.08	23.0	93.0	428	
	1200	208-230/460	286T	IXPEWWE20-12-286T	\$4,219.82	23.5	91.7	520	
25	3600	208-230/460	284TS	IXPEWWE25-36-284TS	\$3,567.12	27.5	91.7	506	
	1800	208-230/460	284T	IXPEWWE25-18-284T	\$3,746.40	27.5	93.6	558	
	1200	208-230/460	324T	IXPEWWE25-12-324T	\$5,070.21	29.0	93.0	657	

WORLDWIDE
EXPLOSION PROOF

When using any motor with a variable frequency drive, take precautions to eliminate or reduce shaft currents in order to prolong bearing life.



WORLDWIDE EXPLOSION PROOF MOTORS PREMIUM / HIGH EFFICIENCY ▪ INVERTER DUTY

TEXP Enclosure ▪ Rigid Base

Three-Phase ▪ 208-230/460 and 460 Volt



HP	RPM	Voltage	Frame	Model Number	List Price	FL Amps (A)	FL Eff. (%)	Approx. Wt. (lbs.)	Notes
30	3600	208-230/460	286TS	IXPEWWE30-36-286TS	\$4,126.79	32.5	91.7	528	
	1800	208-230/460	286T	IXPEWWE30-18-286T	\$4,104.88	32.5	93.6	580	
	1200	208-230/460	326T	IXPEWWE30-12-326T	\$6,210.31	34.5	93.0	739	
40	3600	208-230/460	324TS	IXPEWWE40-36-324TS	\$5,194.34	44.5	92.4	710	
	1800	208-230/460	324T	IXPEWWE40-18-324T	\$5,288.91	44.5	94.1	734	
	1200	208-230/460	364T	IXPEWWE40-12-364T	\$7,775.85	46.0	94.1	911	
50	3600	208-230/460	326TS	IXPEWWE50-36-326TS	\$6,783.68	54.0	93.0	743	
	1800	208-230/460	326T	IXPEWWE50-18-326T	\$6,407.78	55.0	94.5	763	
	1200	208-230/460	365T	IXPEWWE50-12-365T	\$8,664.37	56.5	94.1	899	
60	3600	208-230/460	364TS	IXPEWWE60-36-364TS	\$7,989.24	65.5	93.6	860	
	1800	208-230/460	364T	IXPEWWE60-18-364T	\$8,184.86	66.5	95.0	891	
	1200	208-230/460	404T	IXPEWWE60-12-404T	\$10,940.28	69.0	94.5	1188	
75	3600	208-230/460	365TS	IXPEWWE75-36-365TS	\$10,335.47	84.5	93.6	946	
	1800	208-230/460	365T	IXPEWWE75-18-365T	\$9,792.67	86.5	95.4	957	
	1200	208-230/460	405T	IXPEWWE75-12-405T	\$12,498.57	84.0	94.5	1349	
100	3600	208-230/460	405TS	IXPEWWE100-36-405TS	\$13,331.81	109	94.1	1393	
	1800	208-230/460	405T	IXPEWWE100-18-405TBB	\$12,364.23	110	95.4	1426	
	1200	208-230/460	444/5T	IXPEWWE100-12-444TBB	\$17,521.48	117	95.0	1642	
125	3600	460	444/5TS	IXPEWWE125-36-444TS	\$16,497.79	130	95.0	1638	
	1800	460	444/5T	IXPEWWE125-18-444TBB	\$16,051.87	133	95.4	1640	
	1200	460	444/5T	IXPEWWE125-12-444/5TBB	\$21,959.43	135	95.0	1779	
150	3600	460	444/5TS	IXPEWWE150-36-444/5TS	\$21,593.72	160	95.0	1830	
	1800	460	444/5T	IXPEWWE150-18-444/5TBB	\$23,713.02	163	95.8	1898	
	1200	460	447/9T	IXPEWWE150-12-447/9TBB	\$30,075.92	166	95.8	2174	
200	3600	460	444/5TS	IXPEWWE200-36-444/5TS	\$28,313.05	214	95.4	2370	
	1800	460	445/7/9T	IXPEWWE200-18-445/7/9TBB	\$28,466.24	217	96.2	2348	
	1200	460	447/9T	IXPEWWE200-12-447/9TBB	\$43,525.78	228	95.8	2368	
250	3600	460	447/9TS	XWWE250-36-447/9TS	\$34,583.42	274	95.4	2355	X
	1800	460	447/9T	XWWE250-18-447/9TBB-T	\$36,351.67	275	95.2	2560	X
300	1800	460	447/9T	XWWE300-18-447/9TBB	\$45,372.95	325	95.4	2728	X

WORLDWIDE
EXPLOSION PROOF

X High efficiency - not suitable for inverter duty applications

www.worldwideelectric.net



When using any motor with a variable frequency drive, take precautions to eliminate or reduce shaft currents in order to prolong bearing life.

WORLDWIDE EXPLOSION PROOF MOTORS PREMIUM / HIGH EFFICIENCY ▪ INVERTER DUTY

TEXP Enclosure ▪ C-Face ▪ Rigid Base
Three-Phase ▪ 208-230/460 and 460 Volt



Product Overview

- 2-300 HP
- 1800 RPM
- 208-230/460 volt (2-100 HP)
- 460 volt (125-300 HP)
- TEXP enclosure
- 1.15 service factor
- Class F insulation
- C-face - rigid base
- Premium efficiency (2-200 HP)
- High efficiency (250-300 HP)
- Inverter duty, 5:1 CT / 10:1 VT (1-200 HP only)
- Normally closed winding thermostats provided
- UL Listed Class 1, Div. 1, Groups C & D; Class 2, Div. 1, Groups F & G; T3C; inverter duty (1-200 HP), 40°C amb. temp. as standard
- 145TC-215TC: Class 1, Div. 1, Groups C & D; T3C; inverter duty (1-200 HP); 55°C amb. temp.
- 254TC-449TC: Class 1, Div. 1, Groups C & D; T2C; inverter duty (1-200 HP); 55°C amb. temp.

HP	RPM	Voltage	Frame	Model Number	List Price	FL Amps (A)	FL Eff. (%)	Approx. Wt. (lbs.)	Notes
2	1800	208-230/460	145TC	IXPEWWE2-18-145TC	\$1,042.78	2.6	86.5	88	
3	1800	208-230/460	182TC	IXPEWWE3-18-182TC	\$1,266.20	3.8	89.5	130	
5	1800	208-230/460	184TC	IXPEWWE5-18-184TC	\$1,494.61	7.0	89.5	183	
7.5	1800	208-230/460	213TC	IXPEWWE7.5-18-213TC	\$1,961.38	8.9	91.7	254	
10	1800	208-230/460	215TC	IXPEWWE10-18-215TC	\$2,120.25	12.2	91.7	262	
15	1800	208-230/460	254TC	IXPEWWE15-18-254TC	\$2,870.03	17.5	92.4	403	
20	1800	208-230/460	256TC	IXPEWWE20-18-256TC	\$3,169.88	23.0	93.0	428	
25	1800	208-230/460	284TC	IXPEWWE25-18-284TC	\$3,902.51	27.5	93.6	558	
30	1800	208-230/460	286TC	IXPEWWE30-18-286TC	\$4,275.93	32.5	93.6	580	
40	1800	208-230/460	324TC	IXPEWWE40-18-324TC	\$5,509.27	44.5	94.1	734	
50	1800	208-230/460	326TC	IXPEWWE50-18-326TC	\$6,674.77	55.0	94.5	763	
60	1800	208-230/460	364TC	IXPEWWE60-18-364TC	\$8,525.89	66.5	95.0	891	
75	1800	208-230/460	365TC	IXPEWWE75-18-365TC	\$10,200.71	86.5	94.5	957	
100	1800	208-230/460	405TC	IXPEWWE100-18-405TC	\$12,879.41	110	95.4	1426	
125	1800	460	444/5TC	IXPEWWE125-18-444/5TC	\$16,720.71	133	95.4	1640	
150	1800	460	444/5TC	IXPEWWE150-18-444/5TC	\$24,701.06	163	95.8	1898	
200	1800	460	445/7/9TC	IXPEWWE200-18-445/7/9TC	\$29,652.34	217	96.2	2348	
250	1800	460	447/9TC	XWWE250-18-447/9TC	\$37,866.32	275	95.2	2560	X
300	1800	460	447/9TC	XWWE300-18-447/9TC	\$47,263.48	325	95.4	2745	X

WORLDWIDE
EXPLOSION PROOF

X High efficiency - not suitable for inverter duty applications

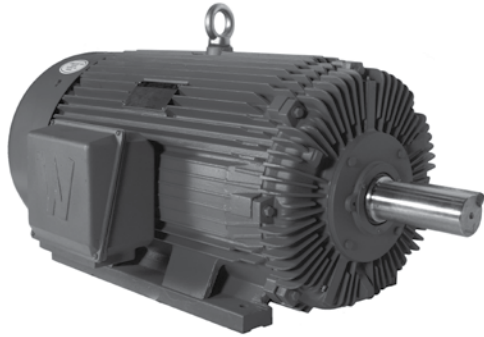


When using any motor with a variable frequency drive, take precautions to eliminate or reduce shaft currents in order to prolong bearing life.

WORLDWIDE ADVANCED DESIGN ROCK CRUSHER MOTORS

TEFC Enclosure ▪ Rigid Base

Three-Phase ▪ 208-230/460 and 460 Volt



Product Overview

- 250-600 HP
- 1800 and 1200 RPM
- 208-230/460 volt (100-200 HP)
- 460 volt (250-600 HP)
- TEFC enclosure
- 1.15 service factor
- Class F insulation
- Rigid base
- 4140 high tensile strength steel shaft
- Premium efficiency
- Inverter ready, 2:1 CT / 5:1 VT
- Please consult WorldWide Electric for 50 hz operation

HP	RPM	Voltage	Frame	Model Number	List Price	FL Amps (A)	FL Eff. (%)	Approx. Wt. (lbs.)	Notes
250	1800	460	449T	PEWWE250-18-449T	\$20,433.50	280	96.2	2508	R
	1800	460	505Z	PEWWE250-18-505Z	\$22,261.48	280	96.2	2360	R
	1800	460	505UZ	PEWWE250-18-505UZ	\$22,261.48	280	96.2	2360	R
	1200	460	449T	PEWWE250-12-449T	\$24,778.17	298	95.8	2750	R
	1200	460	586/7	PEWWE250-12-586/7	\$33,242.02	287	95.8	3737	R
	1200	460	586/7UZ	PEWWE250-12-586/7UZ	\$33,242.02	287	95.0	3737	R
300	1800	460	449T	PEWWE300-18-449T	\$25,354.03	336	96.2	2728	R
	1800	460	586/7	PEWWE300-18-586/7	\$32,553.41	324	96.2	3874	R
	1800	460	586/7UZ	PEWWE300-18-586/7UZ	\$32,553.41	324	96.2	3874	R
	1200	460	449T	PEWWE300-12-449T	\$27,595.26	353	95.8	2977	R
	1200	460	586/7	PEWWE300-12-586/7	\$35,808.69	341	95.8	4136	R
	1200	460	586/7UZ	PEWWE300-12-586/7UZ	\$35,808.69	341	95.8	4136	R
350	1800	460	586/7	PEWWE350-18-586/7	\$37,004.46	374	96.2	4070	R
	1800	460	586/7UZ	PEWWE350-18-586/7UZ	\$37,004.46	374	96.2	4070	R
	1200	460	586/7	PEWWE350-12-586/7	\$39,489.79	398	95.8	4145	R
	1200	460	586/7UZ	PEWWE350-12-586/7UZ	\$39,489.79	398	95.8	4145	R
400	1800	460	586/7	PEWWE400-18-586/7	\$37,874.62	428	96.2	4374	R
	1800	460	586/7UZ	PEWWE400-18-586/7UZ	\$37,874.62	428	96.2	4374	R
	1200	460	586/7	PEWWE400-12-586/7	\$40,253.53	449	95.8	4707	R
	1200	460	586/7UZ	PEWWE400-12-586/7UZ	\$40,253.53	449	95.8	4707	R
450	1800	460	586/7	PEWWE450-18-586/7	\$43,152.00	481	96.2	4500	R
	1200	460	586/7	PEWWE450-12-586/7	\$44,201.44	506	95.8	4850	R ▲
500	1800	460	586/7	PEWWE500-18-586/7	\$44,567.03	535	96.2	4630	R
	1800	460	586/7UZ	PEWWE500-18-586/7UZ	\$44,567.03	535	96.2	4630	R
	1200	460	586/7	PEWWE500-12-586/7	\$47,475.90	562	95.8	4740	R ▲
	1200	460	586/7UZ	PEWWE500-12-586/7UZ	\$47,475.90	562	95.8	4740	R ▲

R Roller bearing on drive end for belted applications
▲ 1.0 service factor

www.worldwideelectric.net



When using any motor with a variable frequency drive, take precautions to eliminate or reduce shaft currents in order to prolong bearing life.

Stock Products Catalog | 21

ADVANCED DESIGN
ROCK CRUSHER MOTORS

WORLDWIDE OIL WELL PUMP MOTORS

HIGH EFFICIENCY ▪ NEMA DESIGN D ▪ INVERTER DUTY

TEFC Enclosure ▪ Rigid Base
Three-Phase ▪ 230/460/796 Volt



Product Overview

- 3-150 HP
- 1200 RPM
- 230/460/796 volt
- TEFC enclosure
- 1.15 service factor
- Class F insulation
- Rigid base
- High efficiency
- Inverter duty, 10:1 CT / 20:1 VT
- 3000 volt spike resistant, inverter duty wire
- Motors meet NEMA MG-1, Part 31
- Three winding thermostats provided (one per phase)
- NEMA Design D - high slip
- Suitable for 50 hz operation with 1.0 service factor

HP	RPM	Voltage	Frame	Model Number	List Price	FL Amps (A)	FL Eff. (%)	Approx. Wt. (lbs.)	Notes
3	1200	230/460/796	213T	OW3-12-213T	\$922.52	4.0	84.9	143	
5	1200	230/460/796	215T	OW5-12-215T	\$1,092.45	7.5	87.5	158	
7.5	1200	230/460/796	254T	OW7.5-12-254T	\$1,367.65	10.7	85.0	251	
10	1200	230/460/796	256T	OW10-12-256T	\$1,861.24	13.9	86.5	286	
15	1200	230/460/796	284T	OW15-12-284T	\$2,338.69	19.5	87.7	409	
20	1200	230/460/796	286T	OW20-12-286T	\$2,871.77	25.5	89.9	451	
25	1200	230/460/796	324T	OW25-12-324T	\$3,358.06	34.6	90.3	550	
30	1200	230/460/796	326T	OW30-12-326T	\$3,979.88	35.4	91.7	622	
40	1200	230/460/796	365T	OW40-12-365T	\$5,380.68	47.9	87.4	714	
50	1200	230/460/796	404T	OW50-12-404T	\$6,036.86	57.8	91.3	957	R
60	1200	230/460/796	405T	OW60-12-405T	\$6,415.10	78.0	82.4	1058	R
75	1200	230/460/796	444T	OW75-12-444T	\$9,279.17	88.2	93.5	1185	R
100	1200	230/460/796	445T	OW100-12-445T	\$10,491.18	117.5	92.2	1370	R
125	1200	230/460/796	447T	OW125-12-447T	\$11,472.21	138.0	93.5	1766	R
150	1200	230/460/796	449T	OW150-12-449T	\$13,161.07	173.5	94.5	-	R

R Roller bearing on drive end for belted applications



When using any motor with a variable frequency drive, take precautions to eliminate or reduce shaft currents in order to prolong bearing life.

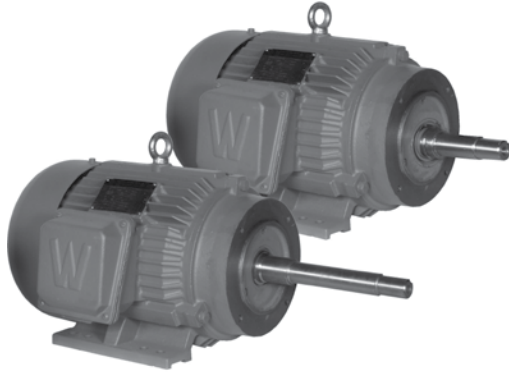
WORLDWIDE CLOSE COUPLED PUMP MOTORS

PREMIUM EFFICIENCY

TEFC Enclosure ▪ C-Face ▪ Rigid Base
Three-Phase ▪ 208-230/460 Volt



WORLDWIDE
CLOSE COUPLED PUMP



Product Overview

- 1-50 HP
- 3600 and 1800 RPM
- 208-230/460 volt
- TEFC enclosure
- 1.15 service factor
- Class F insulation
- C-face - rigid base
- Premium efficiency
- Inverter duty, 10:1 VT
- Spike resistant wire, per NEMA MG-1, Part 31
- Suitable for 50 hz operation with 1.0 service factor

ODP Close Coupled Pump Motors
Coming Soon ...

HP	RPM	Voltage	Frame	Model Number	List Price	FL Amps (A)	FL Eff. (%)	Approx. Wt. (lbs.)	Notes
1	1800	208-230/460	143JM	PEWWE1-18-143JM	\$398.20	1.5	85.5	41	
	1800	208-230/460	143JP	PEWWE1-18-143JP	\$398.20	1.5	85.5	41	
1.5	3600	208-230/460	143JM	PEWWE1.5-36-143JM	\$432.63	2.0	84.0	46	
	3600	208-230/460	143JP	PEWWE1.5-36-143JP	\$432.63	2.0	84.0	46	
	1800	208-230/460	145JM	PEWWE1.5-18-145JM	\$446.34	2.2	86.5	56	
	1800	208-230/460	145JP	PEWWE1.5-18-145JP	\$446.34	2.2	86.5	56	
2	3600	208-230/460	145JM	PEWWE2-36-145JM	\$465.52	2.6	85.5	51	
	3600	208-230/460	145JP	PEWWE2-36-145JP	\$465.52	2.6	85.5	51	
	1800	208-230/460	145JM	PEWWE2-18-145JM	\$464.11	2.9	86.5	59	
	1800	208-230/460	145JP	PEWWE2-18-145JP	\$464.11	2.9	86.5	59	
3	3600	208-230/460	145JM	PEWWE3-36-145JM	\$607.75	3.8	86.5	57	
	3600	208-230/460	145JP	PEWWE3-36-145JP	\$607.75	3.8	86.5	57	
	3600	208-230/460	182JM	PEWWE3-36-182JM	\$607.75	3.8	86.5	81	
	3600	208-230/460	182JP	PEWWE3-36-182JP	\$607.75	3.8	86.5	81	
	1800	208-230/460	182JM	PEWWE3-18-182JM	\$751.54	4.0	89.5	86	
	1800	208-230/460	182JP	PEWWE3-18-182JP	\$751.54	4.0	89.5	86	
5	3600	208-230/460	184JM	PEWWE5-36-184JM	\$709.31	6.0	88.5	96	
	3600	208-230/460	184JP	PEWWE5-36-184JP	\$709.31	6.0	88.5	96	
	1800	208-230/460	184JM	PEWWE5-18-184JM	\$802.71	6.3	89.5	104	
	1800	208-230/460	184JP	PEWWE5-18-184JP	\$802.71	6.3	89.5	104	
7.5	3600	208-230/460	184JM	PEWWE7.5-36-184JM	\$1,224.40	8.8	89.5	105	
	3600	208-230/460	184JP	PEWWE7.5-36-184JP	\$1,224.40	8.8	89.5	105	
	3600	208-230/460	213JM	PEWWE7.5-36-213JM	\$1,224.40	9.0	89.5	160	
	3600	208-230/460	213JP	PEWWE7.5-36-213JP	\$1,224.40	9.0	89.5	160	
	1800	208-230/460	213JM	PEWWE7.5-18-213JM	\$1,187.59	9.1	91.7	172	
	1800	208-230/460	213JP	PEWWE7.5-18-213JP	\$1,187.59	9.1	91.7	172	

When using any motor with a variable frequency drive, take precautions to eliminate or reduce shaft currents in order to prolong bearing life.



WORLDWIDE CLOSE COUPLED PUMP MOTORS

PREMIUM EFFICIENCY

TEFC Enclosure ▪ C-Face ▪ Rigid Base

Three-Phase ▪ 208-230/460 Volt



HP	RPM	Voltage	Frame	Model Number	List Price	FL Amps (A)	FL Eff. (%)	Approx. Wt. (lbs.)	Notes
10	3600	208-230/460	215JM	PEWWE10-36-215JM	\$1,297.35	11.7	90.2	180	
	3600	208-230/460	215JP	PEWWE10-36-215JP	\$1,297.35	11.7	90.2	180	
	1800	208-230/460	215JM	PEWWE10-18-215JM	\$1,300.05	12.0	91.7	193	
	1800	208-230/460	215JP	PEWWE10-18-215JP	\$1,300.05	12.0	91.7	193	
15	3600	208-230/460	215JM	PEWWE15-36-215JM	\$1,898.30	17.3	91.0	190	
	3600	208-230/460	215JP	PEWWE15-36-215JP	\$1,898.30	17.3	91.0	190	
	3600	208-230/460	254JM	PEWWE15-36-254JM	\$1,898.30	17.5	91.0	261	
	3600	208-230/460	254JP	PEWWE15-36-254JP	\$1,898.30	17.5	91.0	261	
	1800	208-230/460	254JM	PEWWE15-18-254JM	\$1,860.16	18.1	92.4	265	
	1800	208-230/460	254JP	PEWWE15-18-254JP	\$1,860.16	18.1	92.4	265	
20	3600	208-230/460	256JM	PEWWE20-36-256JM	\$2,048.83	23.1	91.0	297	
	3600	208-230/460	256JP	PEWWE20-36-256JP	\$2,048.83	23.1	91.0	297	
	1800	208-230/460	256JM	PEWWE20-18-256JM	\$2,101.30	23.7	93.0	304	
	1800	208-230/460	256JP	PEWWE20-18-256JP	\$2,101.30	23.7	93.0	304	
25	3600	208-230/460	256JM	PEWWE25-36-256JM	\$2,462.49	28.7	91.7	309	
	3600	208-230/460	256JP	PEWWE25-36-256JP	\$2,462.49	28.7	91.7	309	
	3600	208-230/460	284JM	PEWWE25-36-284JM	\$2,462.49	29.0	91.7	358	
	3600	208-230/460	284JP	PEWWE25-36-284JP	\$2,462.49	29.0	91.7	358	
	1800	208-230/460	284JM	PEWWE25-18-284JM	\$2,613.10	29.1	93.6	385	
	1800	208-230/460	284JP	PEWWE25-18-284JP	\$2,613.10	29.1	93.6	385	
30	3600	208-230/460	286JM	PEWWE30-36-286JM	\$2,614.48	34.4	91.7	394	
	3600	208-230/460	286JP	PEWWE30-36-286JP	\$2,614.48	34.4	91.7	394	
	1800	208-230/460	286JM	PEWWE30-18-286JM	\$2,811.54	34.5	93.6	430	
	1800	208-230/460	286JP	PEWWE30-18-286JP	\$2,811.54	34.5	93.6	430	
40	3600	208-230/460	286JM	PEWWE40-36-286JM	\$3,533.61	45.5	92.4	419	
	3600	208-230/460	286JP	PEWWE40-36-286JP	\$3,533.61	45.5	92.4	419	
	3600	208-230/460	324JM	PEWWE40-36-324JM	\$3,533.61	46.1	92.4	485	
	3600	208-230/460	324JP	PEWWE40-36-324JP	\$3,533.61	46.1	92.4	485	
	1800	208-230/460	324JM	PEWWE40-18-324JM	\$3,747.82	46.3	94.1	531	
	1800	208-230/460	324JP	PEWWE40-18-324JP	\$3,747.82	46.3	94.1	531	
50	3600	208-230/460	326JM	PEWWE50-36-326JM	\$4,157.40	56.6	93.0	534	
	3600	208-230/460	326JP	PEWWE50-36-326JP	\$4,157.40	56.6	93.0	534	
	1800	208-230/460	326JM	PEWWE50-18-326JM	\$4,195.73	57.6	94.5	578	
	1800	208-230/460	326JP	PEWWE50-18-326JP	\$4,195.73	57.6	94.5	578	

ODP Close Coupled Pump Motors
Coming Soon ...

When using any motor with a variable frequency drive, take precautions to eliminate or reduce shaft currents in order to prolong bearing life.



WORLDWIDE VERTICAL HOLLOW SHAFT MOTORS HIGH EFFICIENCY / PREMIUM EFFICIENCY

WPI Enclosure ▪ Vertical P Base
Three-Phase ▪ 230/460 Volt



Product Overview

- 10 - 300 HP
- 1800 RPM
- 230/460 volt (10 - 75 HP)
- 460 volt PWS (100 - 300 HP)
- WPI enclosure with rodent screen protection
- 1.15 service factor
- Class F insulation
- Vertical P base
- High efficiency / premium efficiency
- Inverter duty, 10:1 variable torque
- Spike resistant wiring per NEMA MG-1 Part 31
- 120 volt space heaters
- Double thrust bearing design (100-500 HP) for deeper well applications
- Winding RTDs (125-500 HP)
- White epoxy paint for cooler surface temperature
- Standard coupling size included please see motor accessories and parts

WORLDWIDE
VERTICAL HOLLOW SHAFT

HP	RPM	Voltage	Frame	Base Size	Model Number	List Price	Down Thrust	FL Amps (A)	FL Eff. (%)	Approx. Wt. (lbs.)	Included Coupling
High Efficiency											
10	1800	230/460	215TP	10	WVHS10-18-215TP-10	\$1,394.00	2500	12.8	85.7	240	MC250-1
15	1800	230/460	254TP	10	WVHS15-18-254TP-10	\$2,454.00	3200	18.5	86.5	417	MC250-1
20	1800	230/460	256TP	10	WVHS20-18-256TP-10	\$2,795.00	3200	25.2	87.5	434	MC250-1
25	1800	230/460	284TP	12	WVHS25-18-284TP-12	\$3,352.00	3200	30.4	88.0	483	MC280-1
30	1800	230/460	286TP	12	WVHS30-18-286TP-12	\$3,541.00	3200	35.4	88.5	507	MC280-1
40	1800	230/460	324TP	16.5	WVHS40-18-324TP-16.5	\$4,417.00	5500	47.5	91.2	646	MC320-1.25-.25
50	1800	230/460	326TP	16.5	WVHS50-18-326TP-16.5	\$4,784.00	5500	57.0	91.3	697	MC320-1.25-.25
50	1800	460	326TP	16.5	WVHS50-18-326TP-16.5-460-PWS	\$4,784.00	5500	57.0	91.3	697	MC320-1.25-.25
60	1800	230/460	364TP	16.5	WVHS60-18-364TP-16.5	\$5,456.00	5600	70.5	92.3	853	MC360-1.25-.25
60	1800	460	364TP	16.5	WVHS60-18-364TP-16.5-460-PWS	\$5,456.00	5600	70.5	92.3	853	MC360-1.25-.25
75	1800	230/460	365TP	16.5	WVHS75-18-365TP-16.5	\$6,763.00	5600	86.0	92.3	893	MC360-1.25-.25
75	1800	460	365TP	16.5	WVHS75-18-365TP-16.5-460-PWS	\$6,763.00	5600	86.0	92.3	893	MC360-1.25-.25
100	1800	460	404TP	16.5	WVHS100-18-460-404TP-DB-16.5	\$9,327.00	10720	112	92.3	1,292	MC400-1.5
125	1800	460	405TP	16.5	WVHS125-18-460-405TP-DB-16.5	\$10,022.00	12060	134	93.2	1,360	MC400-1.5
150	1800	460	444TP	16.5	WVHS150-18-460-444TP-DB-16.5	\$12,018.00	14400	166	93.3	1,793	MC440-1.6875
200	1800	460	445TP	16.5	WVHS200-18-460-445TP-DB-16.5	\$16,721.00	14400	225	93.8	1,969	MC440-1.6875
250	1800	460	445TP	20	WVHS250-18-460-445TP-DB-20	\$17,734.00	14400	278	93.8	2,097	MC440(250)-1.6875
300	1800	460	5006P	24.5	WVHS300-18-460-5006P-DB-24.5	\$29,181.00	24000	345	94.8	3,278	MC5006-1.6875
Premium Efficiency - Coming Soon											
10	1800	230/460	215TP	10	WPEVHS10-18-215TP-10	\$1,621.00	---	---	---	240	MC210-1
15	1800	230/460	254TP	10	WPEVHS15-18-254TP-10	\$2,854.00	---	---	---	417	MC250-1
20	1800	230/460	256TP	10	WPEVHS20-18-256TP-10	\$3,250.00	---	---	---	434	MC250-1
25	1800	230/460	284TP	12	WPEVHS25-18-284TP-12	\$3,898.00	---	---	---	483	MC280-1
30	1800	230/460	286TP	12	WPEVHS30-18-286TP-12	\$4,118.00	---	---	---	507	MC280-1
40	1800	230/460	324TP	16.5	WPEVHS40-18-324TP-16.5	\$5,137.00	---	---	---	646	MC320-1.25-.25
50	1800	230/460	326TP	16.5	WPEVHS50-18-326TP-16.5	\$5,563.00	---	---	---	697	MC320-1.25-.25
60	1800	230/460	364TP	16.5	WPEVHS60-18-364TP-16.5	\$6,345.00	---	---	---	853	MC360-1.25-.25
75	1800	230/460	365TP	16.5	WPEVHS75-18-365TP-16.5	\$7,864.00	---	---	---	893	MC360-1.25-.25
100	1800	460	404TP	16.5	WPEVHS100-18-460-404TP-DB-16.5	\$10,846.00	---	---	---	1292	MC400-1.5
125	1800	460	405TP	16.5	WPEVHS125-18-460-405TP-DB-16.5	\$11,654.00	---	---	---	1360	MC400-1.5
150	1800	460	444TP	16.5	WPEVHS150-18-460-444TP-DB-16.5	\$13,975.00	---	---	---	1793	MC440-1.6875
200	1800	460	445TP	16.5	WPEVHS200-18-460-445TP-DB-16.5	\$19,444.00	---	---	---	1969	MC440-1.6875
250	1800	460	445TP	20	WPEVHS250-18-460-445TP-DB-20	\$20,621.00	---	---	---	2097	MC440(250)-1.6875
300	1800	460	5006P	24.5	WPEVHS300-18-460-5006P-DB-24.5	\$33,932.00	---	---	---	3278	MC5006-1.6875

When using any motor with a variable frequency drive, take precautions to eliminate or reduce shaft currents in order to prolong bearing life.

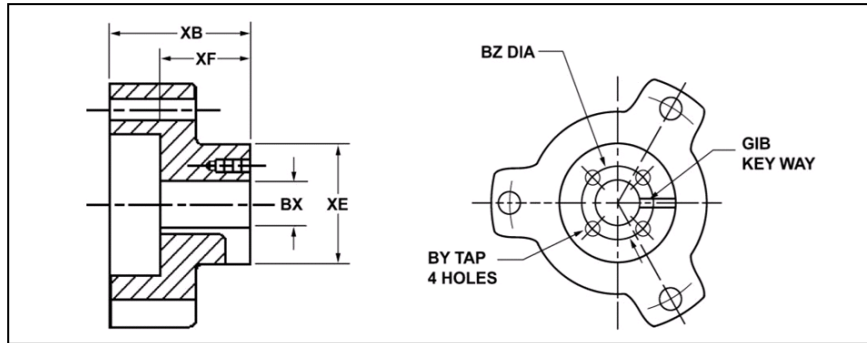


WORLDWIDE VERTICAL HOLLOW SHAFT MOTORS HIGH EFFICIENCY / PREMIUM EFFICIENCY

WVHS Couplings



WORLDWIDE
VERTICAL HOLLOW SHAFT



HP	Frame	Model Number	BX	BY	BZ	XB	XE	XF	SQ (EW)	List Price
10	215TP	MC210-.75	3/4	10-32	1-3/8	1-3/4	2	1-1/8	3/16	\$109.00
		MC210-.875	7/8	10-32	1-3/8	1-3/4	2	1-1/8	3/16	
		MC210-1 *	1	10-32	1-3/8	1-3/4	2	1-1/8	1/4	
15-20	254TP 256TP	MC250-.75	3/4	10-32	1-3/8	2-9/16	2-1/4	1-5/8	3/16	\$130.00
		MC250-.875	7/8	10-32	1-3/8	2-9/16	2-1/4	1-5/8	3/16	
		MC250-1 *	1	10-32	1-3/8	2-9/16	2-1/4	1-5/8	1/4	
		MC250-1.1875	1-3/16	1/4-20	1-3/4	2-9/16	2-1/4	1-5/8	1/4	
		MC250-1.25	1-1/4	1/4-20	1-3/4	2-9/16	2-1/4	1-5/8	1/4	
		MC250-1.25-.375	1-1/4	1/4-20	1-3/4	2-9/16	2-1/4	1-5/8	3/8	
25-30	284TP 286TP	MC280-.75	3/4	10-32	1-3/8	2-9/16	2-1/4	1-5/8	3/16	\$130.00
		MC280-.875	7/8	10-32	1-3/8	2-9/16	2-1/4	1-5/8	3/16	
		MC280-1 *	1	10-32	1-3/8	2-9/16	2-1/4	1-5/8	1/4	
		MC280-1.1875	1-3/16	1/4-20	1-3/4	2-9/16	2-1/4	1-5/8	1/4	
		MC280-1.25-.25	1-1/4	1/4-20	1-3/4	2-9/16	2-1/4	1-5/8	1/4	
		MC280-1.25-.375	1-1/4	1/4-20	1-3/4	2-9/16	2-1/4	1-5/8	3/8	
40-50	324TP 326TP	MC320-1	1	10-32	1-3/8	2-15/16	2-7/8	1-15/16	1/4	\$151.00
		MC320-1.1875	1-3/16	1/4-20	1-3/4	2-15/16	2-7/8	1-15/16	1/4	
		MC320-1.25-.375	1-1/4	1/4-20	1-3/4	2-15/16	2-7/8	1-15/16	3/8	
		MC320-1.25-.25 *	1-1/4	1/4-20	1-3/4	2-15/16	2-7/8	1-15/16	1/4	
		MC320-1.4375	1-7/16	1/4-20	2-1/8	2-15/16	2-7/8	1-15/16	3/8	
		MC320-1.5	1-1/2	1/4-20	2-1/8	2-15/16	2-7/8	1-15/16	3/8	
60-75	364TP 365TP	MC360-1	1	10-32	1-3/8	2-15/16	2-7/8	1-15/16	1/4	\$173.00
		MC360-1.1875	1-3/16	1/4-20	1-3/4	2-15/16	2-7/8	1-15/16	1/4	
		MC360-1.25-.25 *	1-1/4	1/4-20	1-3/4	2-15/16	2-7/8	1-15/16	1/4	
		MC360-1.25-.375	1-1/4	1/4-20	1-3/4	2-15/16	2-7/8	1-15/16	3/8	
		MC360-1.4375	1-7/16	1/4-20	2-1/8	2-15/16	2-7/8	1-15/16	3/8	
		MC360-1.5	1-1/2	1/4-20	2-1/8	2-15/16	2-7/8	1-15/16	3/8	
100-125	404TP 405TP	MC400-1.1875	1-3/16	1/4-20	1-3/4	3-13/32	3-1/8	2-13/32	1/4	\$259.00
		MC400-1.25-.25	1-1/4	1/4-20	1-3/4	3-13/32	3-1/8	2-13/32	1/4	
		MC400-1.25-.375	1-1/4	1/4-20	1-3/4	3-13/32	3-1/8	2-13/32	3/8	
		MC400-1.4375	1-7/16	1/4-20	2-1/8	3-13/32	3-1/8	2-13/32	3/8	
		MC400-1.5 *	1-1/2	1/4-20	2-1/8	3-13/32	3-1/8	2-13/32	3/8	
		MC400-1.5625	1-9/16	1/4-20	2-1/2	3-13/32	3-1/8	2-13/32	3/8	
		MC400-1.6875	1-11/16	1/4-20	2-1/2	3-13/32	3-1/8	2-13/32	3/8	
		MC400-1.8125	1-13/16	1/4-20	2-1/2	3-13/32	3-1/8	2-13/32	3/8	
150-200	444TP 445TP	MC440-1.4375	1-7/16	1/4-20	2-1/8	4.2	3-11/16	2.95	3/8	\$367.00
		MC440-1.5	1-1/2	1/4-20	2-1/8	4.2	3-11/16	2.95	3/8	
		MC440-1.6875 *	1-11/16	1/4-20	2-1/2	4.2	3-11/16	2.95	3/8	
		MC440-1.75	1-3/4	1/4-20	2-1/2	4.2	3-11/16	2.95	3/8	
		MC440-1.9375	1-15/16	1/4-20	2-1/2	4.2	3-11/16	2.95	1/2	
		MC440-2.1875	2-3/16	3/8-16	2-1/4	4.2	3-11/16	2.95	1/2	
250	445TP	MC440(250)-1.6875 *	1-11/16	1/4-20	2-1/2	4.2	3-11/16	2.95	3/8	\$367.00
300-350	5006TP	MC5006-1.5	1-1/2	1/4-20	2-1/2	4.37	4-3/4	3.07	3/8	\$637.00
		MC5006-1.6875 *	1-11/16	1/4-20	2-1/2	4.37	4-3/4	3.07	3/8	
		MC5006-1.75	1-3/4	1/4-20	2-1/2	4.37	4-3/4	3.07	3/8	
		MC5006-1.18125	1-13/16	1/4-20	2-1/2	4.37	4-3/4	3.07	3/8	
		MC5006-1.9375	1-15/16	1/4-20	2-1/2	4.37	4-3/4	3.07	3/8	

* Standard coupling size included with each motor



HYUNDAI CROWN TRITON™ SERIES MOTORS

PREMIUM EFFICIENCY

TEFC Enclosure ▪ Rigid Base

Three-Phase ▪ 208-230/460 and 460 Volt



Product Overview

- 1-250 HP (HHI models)
- 250-600 HP (HSD models)
- 3600, 1800 and 1200 RPM
- 208-230/460 volt (1-125 HP)
- 460 volt (150-600 HP)
- TEFC enclosure
- IP55 degree of protection
- Dual rated service factor
1.15 for 40°C / 1.0 for 65°C
- Class F insulation
with Class N varnish
- Rigid base
- Premium efficiency
- NEMA Design B
- Suitable for 50 hz operation
with 1.0 service factor
- Inverter ready, 10:1 CT / 20:1 VT
- Inverter shield insulation and inverter grade magnet wire meets or exceeds NEMA MG-1 Part 31 for exceptional corona and transient protection (254T and up)
- Cast iron frame and conduit box
- Suitable for part winding start on low voltage (1-125 HP)
- Suitable for wye-delta start (15-250 HP)
- Double drilled feet to accommodate mounting flexibility (324T-445T)
- F2 field mountable (HHI models only)
- Suitable for 50 hz operation
with 1.0 service factor
- Class I, Division 2, Groups A, B, C, D

HYUNDAI
PREMIUM EFFICIENCY

HP	RPM	Voltage	Frame	Model Number	List Price	FL Amps (A)	FL Eff. (%)	Approx. Wt. (lbs.)	Notes
1	1800	208-230/460	143T	HHI1-18-143T	\$440.00	1.6	85.5	53	
	1200	208-230/460	145T	HHI1-12-145T	\$534.00	1.8	82.5	55	
	3600	208-230/460	143T	HHI1.5-36-143T	\$477.00	2.0	84.0	53	
1.5	1800	208-230/460	145T	HHI1.5-18-145T	\$484.00	2.2	86.5	55	
	1200	208-230/460	182T	HHI1.5-12-182T	\$572.00	2.3	87.5	90	
2	3600	208-230/460	145T	HHI2-36-145T	\$519.00	2.6	85.5	55	
	1800	208-230/460	145T	HHI2-18-145T	\$599.00	3.0	86.5	55	
	1200	208-230/460	184T	HHI2-12-184T	\$705.00	3.0	88.5	105	
3	3600	208-230/460	182T	HHI3-36-182T	\$664.00	3.8	86.5	90	
	1800	208-230/460	182T	HHI3-18-182T	\$654.00	3.9	89.5	90	
	1200	208-230/460	213T	HHI3-12-213T	\$1,006.00	4.5	89.5	150	
5	3600	208-230/460	184T	HHI5-36-184T	\$776.00	6.1	88.5	105	
	1800	208-230/460	184T	HHI5-18-184T	\$743.00	6.5	89.5	105	
	1200	208-230/460	215T	HHI5-12-215T	\$1,183.00	7.4	89.5	165	
7.5	3600	208-230/460	213T	HHI7.5-36-213T	\$1,044.00	9.0	89.5	150	
	1800	208-230/460	213T	HHI7.5-18-213T	\$1,003.00	9.5	91.7	150	
	1200	208-230/460	254T	HHI7.5-12-254T	\$1,799.00	10.3	91.0	260	
10	3600	208-230/460	215T	HHI10-36-215T	\$1,183.00	12.0	90.2	165	
	1800	208-230/460	215T	HHI10-18-215T	\$1,209.00	12.8	91.7	165	
	1200	208-230/460	256T	HHI10-12-256T	\$2,133.00	13.8	91.0	300	
15	3600	208-230/460	254T	HHI15-36-254T	\$1,955.00	16.9	91.7	260	
	1800	208-230/460	254T	HHI15-18-254T	\$1,822.00	18.3	92.4	260	
	1200	208-230/460	284T	HHI15-12-284T	\$2,964.00	19.8	91.7	380	
20	3600	208-230/460	256T	HHI20-36-256T	\$2,156.00	23.1	91.7	300	
	1800	208-230/460	256T	HHI20-18-256T	\$2,136.00	24.8	93.0	300	
	1200	208-230/460	286T	HHI20-12-286T	\$3,492.00	26.7	91.7	410	
25	3600	208-230/460	284T	HHI25-36-284T	\$3,220.00	28.5	91.7	380	
	3600	208-230/460	284TS	HHI25-36-284TS	\$2,666.00	28.5	91.7	380	
	1800	208-230/460	284T	HHI25-18-284T	\$2,590.00	30.3	93.6	380	
	1800	208-230/460	284TS	HHI25-18-284TS	\$3,047.00	30.3	93.6	380	
	1200	208-230/460	324T	HHI25-12-324T	\$4,156.00	31.2	93.0	550	
30	3600	208-230/460	286T	HHI30-36-286T	\$3,781.00	33.8	91.7	410	
	3600	208-230/460	286TS	HHI30-36-286TS	\$3,130.00	33.8	91.7	410	
	1800	208-230/460	286T	HHI30-18-286T	\$2,893.00	36.0	93.6	410	
	1800	208-230/460	286TS	HHI30-18-286TS	\$3,404.00	36.0	93.6	410	
	1200	208-230/460	326T	HHI30-12-326T	\$4,696.00	37.1	93.0	560	

When using any motor with a variable frequency drive, take precautions to eliminate or reduce shaft currents in order to prolong bearing life.

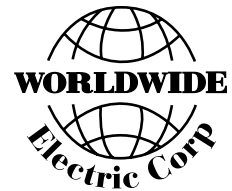


HYUNDAI CROWN TRITON™ SERIES MOTORS

PREMIUM EFFICIENCY

TEFC Enclosure ▪ Rigid Base

Three-Phase ▪ 208-230/460 and 460 Volt



HYUNDAI
PREMIUM EFFICIENCY

HP	RPM	Voltage	Frame	Model Number	List Price	FL Amps (A)	FL Eff. (%)	Approx. Wt. (lbs.)	Notes
40	3600	208-230/460	324T	HHI40-36-324T	\$4,838.00	45.5	92.4	530	
	3600	208-230/460	324TS	HHI40-36-324TS	\$4,005.00	45.5	92.4	530	
	1800	208-230/460	324T	HHI40-18-324T	\$3,867.00	48.8	94.1	550	
	1800	208-230/460	324TS	HHI40-18-324TS	\$4,549.00	48.8	94.1	550	
	1200	208-230/460	364T	HHI40-12-364T	\$6,940.00	48.8	94.1	780	
50	3600	208-230/460	326T	HHI50-36-326T	\$5,732.00	55.8	93.0	540	
	3600	208-230/460	326TS	HHI50-36-326TS	\$4,746.00	55.8	93.0	540	
	1800	208-230/460	326T	HHI50-18-326T	\$4,901.00	59.9	94.5	620	
	1800	208-230/460	326TS	HHI50-18-326TS	\$5,766.00	59.9	94.5	620	
	1200	208-230/460	365T	HHI50-12-365T	\$8,171.00	60.2	94.1	840	
60	3600	208-230/460	364T	HHI60-36-364T	\$8,330.00	65.6	94.1	780	
	3600	208-230/460	364TS	HHI60-36-364TS	\$6,896.00	65.6	94.1	780	
	1800	208-230/460	364T	HHI60-18-364T	\$7,109.00	69.9	95.0	780	
	1800	208-230/460	364TS	HHI60-18-364TS	\$8,364.00	69.9	95.0	780	
	1200	208-230/460	404T	HHI60-12-404T	\$9,351.00	71.2	94.5	1120	R
75	3600	208-230/460	365T	HHI75-36-365T	\$9,662.00	79.8	94.5	820	
	3600	208-230/460	365TS	HHI75-36-365TS	\$7,999.00	79.8	94.5	820	
	1800	208-230/460	365T	HHI75-18-365T	\$8,259.00	85.1	95.4	820	
	1800	208-230/460	365TS	HHI75-18-365TS	\$9,716.00	85.1	95.4	820	
	1200	208-230/460	405T	HHI75-12-405T	\$11,277.00	87.0	94.5	1220	R
100	3600	208-230/460	405TS	HHI100-36-405TS	\$10,731.00	110.1	94.5	1110	
	1800	208-230/460	405T	HHI100-18-405T	\$10,860.00	114.1	95.4	1110	R
	1800	208-230/460	405T	HHI100-18-405TSBB	\$10,860.00	114.1	95.4	1110	
	1800	208-230/460	405TS	HHI100-18-405TSBB	\$12,776.00	114.1	95.4	1110	
	1200	208-230/460	444T	HHI100-12-444T	\$13,554.00	116.6	95.0	1530	R
125	3600	208-230/460	444TS	HHI125-36-444TS	\$14,763.00	139.5	95.0	1610	
	1800	208-230/460	444T	HHI125-18-444T	\$14,031.00	142.0	95.4	1530	R
	1800	208-230/460	444T	HHI125-18-444TSBB	\$14,031.00	142.0	95.4	1530	
	1800	208-230/460	444TS	HHI125-18-444TSBB	\$16,507.00	142.0	95.4	1530	
	1200	208-230/460	445T	HHI125-12-445T	\$15,978.00	147.7	95.0	1700	R
150	3600	460	445TS	HHI150-36-445TS	\$16,760.00	161.5	95.0	1770	
	1800	460	445T	HHI150-18-445T	\$16,223.00	163.8	95.8	1700	R
	1800	460	445T	HHI150-18-445TSBB	\$16,223.00	163.8	95.8	1700	
	1800	460	445TS	HHI150-18-445TSBB	\$19,086.00	163.8	95.8	1700	
	1200	460	447T	HHI150-12-447T	\$18,639.00	169.5	95.8	1860	R
	1200	460	447T	HHI150-12-447T-IB	\$23,543.00	169.5	95.8	1860	IB R
	1200	460	447TS	HHI150-12-447TSBB	\$21,928.00	169.5	95.8	1860	
200	3600	460	447TS	HHI200-36-447TS	\$20,857.00	219.3	95.4	1900	
	1800	460	447T	HHI200-18-447T	\$18,783.00	222.4	96.2	1860	R
	1800	460	447T	HHI200-18-447T-IB	\$24,565.00	222.4	96.2	1860	IB R
	1800	460	447T	HHI200-18-447TSBB	\$18,783.00	222.4	96.2	1860	
	1800	460	447TS	HHI200-18-447TSBB	\$22,098.00	222.4	96.2	1860	
	1200	460	449T	HHI200-12-449T	\$22,394.00	231.2	95.8	2430	R
	1200	460	449TS	HHI200-12-449TSBB	\$26,346.00	231.2	95.8	2430	
250	3600	460	449TS	HHI250-36-449TS	\$28,113.00	276.6	95.8	2430	
	1800	460	449T	HHI250-18-449T	\$24,185.00	281.7	96.2	2430	R
	1800	460	449T	HHI250-18-449TSBB	\$24,185.00	281.7	96.2	2430	
	1800	460	449TS	HHI250-18-449TSBB	\$27,173.00	281.7	96.2	2430	
	1200	460	L449T	HSDE250-12-L449T	\$31,160.00	296.3	95.8	2890	HSD R

HSD For additional features, please see page 35
 IB Insulated opposite drive-end bearing installed

When using any motor with a variable frequency drive, take precautions to eliminate or reduce shaft currents in order to prolong bearing life.



HYUNDAI CROWN TRITON™ SERIES MOTORS

PREMIUM EFFICIENCY

TEFC Enclosure ▪ Rigid Base

Three-Phase ▪ 208-230/460 and 460 Volt



HP	RPM	Voltage	Frame	Model Number	List Price	FL Amps (A)	FL Eff. (%)	Approx. Wt. (lbs.)	Notes
300	3600	460	L449TS	HSDE300-36-L449TS	\$37,521.00	327.5	95.8	2890	HSD
	1800	460	L449T	HSDE300-18-L449T	\$30,885.00	333.6	96.2	2890	HSD R
	1800	460	L449T	HSDE300-18-L449T-IB	\$37,008.00	333.6	96.2	2890	IB HSD R
	1800	460	L449T	HSDE300-18-L449TBB	\$30,885.00	333.6	96.2	2890	HSD
	1200	460	L449T	HSDE300-12-L449T	\$32,261.00	350.9	95.8	3290	HSD R
	1200	460	L449T	HSDE300-12-L449T-IB	\$38,455.00	350.9	95.8	3290	IB HSD R
350	3600	460	L449TS	HSDE350-36-L449TS	\$38,649.00	378.5	95.8	3090	HSD
	1800	460	L449T	HSDE350-18-L449T	\$35,831.00	385.5	96.2	3090	HSD R
	1800	460	L449T	HSDE350-18-L449TBB	\$35,831.00	385.5	96.2	3090	HSD
	1200	460	5008	HSDE350-12-5008	\$48,875.00	405.5	95.8	3880	HSD R
	1200	460	5008	HSDE350-12-5008-IB	\$53,356.00	405.5	95.8	3880	IB HSD R
400	3600	460	L449TS	HSDE400-36-L449TS	\$49,118.00	436.7	95.8	3770	HSD
	3600	460	L449TS	HSDE400-36-L449TS-IB	\$53,597.00	436.7	95.8	3770	IB HSD
	1800	460	L449T	HSDE400-18-L449T	\$44,908.00	444.8	96.2	3570	HSD R
	1800	460	L449T	HSDE400-18-L449TBB	\$44,908.00	444.8	96.2	3570	HSD
	1200	460	5010	HSDE400-12-5010	\$55,681.00	467.9	95.8	4760	HSD R
450	3600	460	5009S	HSDE450-36-5009S	\$57,754.00	487.7	95.8	3860	HSD
	1800	460	5009	HSDE450-18-5009	\$52,481.00	491.1	96.2	3970	HSD R
	1800	460	5009	HSDE450-18-5009BB	\$52,481.00	491.1	96.2	3970	HSD
	1200	460	5011	HSDE450-12-5011	\$63,664.00	522.5	95.8	4850	HSD R
500	3600	460	5010S	HSDE500-36-5010S	\$58,672.00	545.9	95.8	4740	HSD W
	1800	460	5010	HSDE500-18-5010	\$56,173.00	549.7	96.2	4760	HSD R W
	1800	460	5010	HSDE500-18-5010BB	\$56,173.00	549.7	96.2	4760	HSD W
600	1800	460	5011	HSDE600-18-5011	\$63,421.00	659.7	96.2	4940	HSD R W

HYUNDAI
PREMIUM EFFICIENCY

HHI Motor C-Flange Kits

Frame Size	Model Number	List Price	Approx. Wt. (lbs.)
143T / 145T	H140TC	\$90.00	7
182T / 184T	H180TC	\$111.00	14
213T / 215T	H210TC	\$149.00	14
254T / 256T	H250TC	\$302.00	36
284T / 286T	H280TC	\$345.00	38
324T / 326T	H320TC	\$485.00	48
364T / 365T (2 Pole)	H3602PTC	\$837.00	55
364T / 365T (4/6 Pole)	H360TC	\$718.00	55
404T / 405T (2 Pole)	H4002PTC	\$684.00	148
404T / 405T (4/6 Pole)	H400TC	\$1,139.00	148
444T / 445T (2 Pole)	H4402PTC	\$1,271.00	155
444T / 445T (4/6 Pole)	H440TC	\$837.00	155
447T (2 Pole)	H4402PTC	\$1,271.00	160
447T (4/6 Pole)	H447TC	\$837.00	160
449T (2 Pole)	H4402PTC	\$1,271.00	155
449T (4/6 Pole)	H449TC	\$837.00	160

HHI Motor D-Flange Kits

Frame Size	Model Number	List Price	Approx. Wt. (lbs.)
143T / 145T	H140TD	\$98.00	7
182T / 184T	H180TD	\$124.00	14
213T / 215T	---	---	---
254T / 256T	H250TD	\$332.00	36
284T / 286T	H280TD	\$383.00	38
324T / 326T	H320TD	\$531.00	48
364T / 365T (2 Pole)	H3602PTD	\$752.00	55
364T / 365T (4/6 Pole)	H360TD	\$791.00	55
404T / 405T (2 Pole)	H4002PTD	\$922.00	148
404T / 405T (4/6 Pole)	H400TD	\$922.00	148
444T / 445T (2 Pole)	H4402PTD	\$1,398.00	155
444T / 445T (4/6 Pole)	H440TD	\$1,254.00	155
447T (2 Pole)	H4402PTD	\$1,398.00	155
447T (4/6 Pole)	H449TD	\$1,254.00	160
449T (2 Pole)	H4402PTD	\$1,398.00	155
449T (4/6 Pole)	H449TD	\$1,254.00	160

HSD For additional features, please see page 35
 IB Insulated opposite drive-end bearing installed
 W Winding RTDs provided (two per phase)

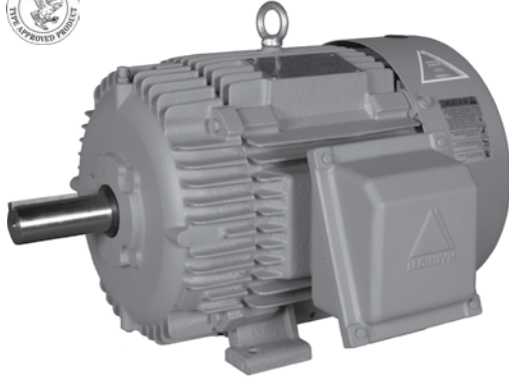
When using any motor with a variable frequency drive, take precautions to eliminate or reduce shaft currents in order to prolong bearing life.



HYUNDAI CROWN TRITON™ SERIES MOTORS

PREMIUM EFFICIENCY

TEFC Enclosure ▪ Rigid Base ▪ Factory F2 Mount
Three-Phase ▪ 208-230/460 and 460 Volt



Product Overview

- 25-200 HP
- 1800 and 1200 RPM
- 208-230/460 volt (25-125 HP)
- 460 volt (150-200 HP)
- TEFC enclosure
- IP55 degree of protection
- Dual rated service factor 1.15 for 40°C / 1.0 for 65°C
- Class F insulation with Class N varnish
- Rigid base
- Factory F2 mount
- Premium efficiency
- NEMA Design B
- Inverter ready, 10:1 CT / 20:1 VT
- Inverter shield insulation and inverter grade magnet wire meets or exceeds NEMA MG-1 Part 31 for exceptional corona and transient protection (254T and up)
- Cast iron frame and conduit box
- Suitable for part winding start on low voltage (25-125 HP)
- Suitable for wye-delta start (25-200 HP)
- Double drilled feet to accommodate mounting flexibility (324T-445T)
- F1 field mountable
- Suitable for 50 hz operation with 1.0 service factor
- Class I, Division 2, Groups A, B, C, D

HYUNDAI
PREMIUM EFFICIENCY

HP	RPM	Voltage	Frame	Model Number	List Price	FL Amps (A)	FL Eff. (%)	Approx. Wt. (lbs.)	Notes
25	1800	208-230/460	284T	HHI25-18-284T-F2	\$3,047.00	30.3	93.6	380	
30	1800	208-230/460	286T	HHI30-18-286T-F2	\$3,404.00	36.0	93.6	410	
40	1800	208-230/460	324T	HHI40-18-324T-F2	\$4,549.00	48.8	94.1	550	
50	1800	208-230/460	326T	HHI50-18-326T-F2	\$5,766.00	59.9	94.5	620	
60	1800	208-230/460	364T	HHI60-18-364T-F2	\$8,364.00	69.9	95.0	780	
75	1800	208-230/460	365T	HHI75-18-365T-F2	\$9,716.00	85.1	95.4	820	
	1200	208-230/460	405T	HHI75-12-405T-F2	\$13,267.00	87.0	94.5	1220	R
100	1800	208-230/460	405T	HHI100-18-405T-F2	\$12,776.00	114.1	95.4	1110	R
125	1800	208-230/460	444T	HHI125-18-444T-F2	\$16,507.00	142.0	95.4	1530	R
150	1800	460	445T	HHI150-18-445T-F2	\$19,086.00	163.8	95.8	1700	R
	1200	460	447T	HHI150-12-447T-F2	\$21,928.00	169.5	95.8	1860	R
200	1800	460	447T	HHI200-18-447T-F2	\$22,098.00	222.4	96.2	1860	R
	1200	460	449T	HHI200-12-449T-F2	\$26,346.00	231.2	95.8	2430	R

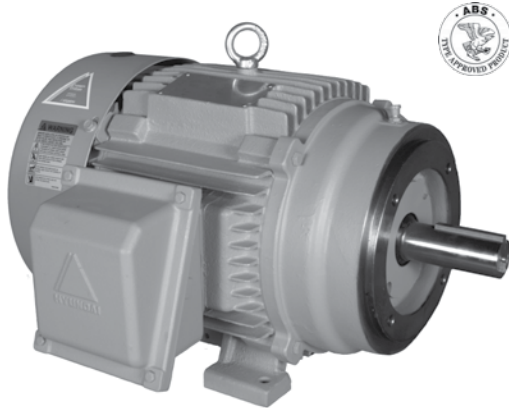
R Roller bearing on drive end for belted applications



When using any motor with a variable frequency drive, take precautions to eliminate or reduce shaft currents in order to prolong bearing life.

HYUNDAI CROWN TRITON™ SERIES MOTORS PREMIUM EFFICIENCY

TEFC Enclosure ▪ C-Face ▪ Rigid Base
Three-Phase ▪ 208-230/460 and 460 Volt



Product Overview

- 1-200 HP
- 3600, 1800 and 1200 RPM
- 208-230/460 volt (1-125 HP)
- 460 volt (150-200 HP)
- TEFC enclosure
- IP55 degree of protection
- Dual rated service factor 1.15 for 40°C / 1.0 for 65°C
- Class F insulation with Class N varnish
- C-face - rigid base
- Premium efficiency
- NEMA Design B
- Inverter ready, 10:1 CT / 20:1 VT
- Inverter shield insulation and inverter grade magnet wire meets or exceeds NEMA MG-1 Part 31 for exceptional corona and transient protection (254TC and up)
- Cast iron frame and conduit box
- Suitable for part winding start on low voltage (1-125 HP)
- Suitable for wye-delta start (15-200 HP)
- Double drilled feet to accommodate mounting flexibility (324TC-445TC)
- F2 field mountable
- Suitable for 50 hz operation with 1.0 service factor
- Class I, Division 2, Groups A, B, C, D

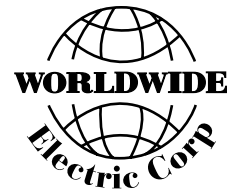
HYUNDAI
PREMIUM EFFICIENCY

HP	RPM	Voltage	Frame	Model Number	List Price	FL Amps (A)	FL Eff. (%)	Approx. Wt. (lbs.)	Notes
1	1800	208-230/460	143TC	HHI1-18-143TC	\$458.00	1.6	85.5	53	
	1200	208-230/460	145TC	HHI1-12-145TC	\$556.00	1.8	82.5	55	
1.5	3600	208-230/460	143TC	HHI1.5-36-143TC	\$497.00	2.0	84.0	53	
	1800	208-230/460	145TC	HHI1.5-18-145TC	\$504.00	2.2	86.5	55	
2	3600	208-230/460	145TC	HHI2-36-145TC	\$541.00	2.6	85.5	55	
	1800	208-230/460	145TC	HHI2-18-145TC	\$624.00	3.0	86.5	55	
3	3600	208-230/460	182TC	HHI3-36-182TC	\$692.00	3.8	86.5	90	
	1800	208-230/460	182TC	HHI3-18-182TC	\$681.00	3.9	89.5	90	
5	3600	208-230/460	184TC	HHI5-36-184TC	\$808.00	6.1	88.5	105	
	1800	208-230/460	184TC	HHI5-18-184TC	\$774.00	6.5	89.5	105	
	1200	208-230/460	215TC	HHI5-12-215TC	\$1,232.00	7.4	89.5	165	
7.5	3600	208-230/460	213TC	HHI7.5-36-213TC	\$1,088.00	9.0	89.5	150	
	1800	208-230/460	213TC	HHI7.5-18-213TC	\$1,045.00	9.5	91.7	150	
	1200	208-230/460	254TC	HHI7.5-12-254TC	\$1,874.00	10.3	91.0	260	
10	3600	208-230/460	215TC	HHI10-36-215TC	\$1,232.00	12.0	90.2	165	
	1800	208-230/460	215TC	HHI10-18-215TC	\$1,259.00	12.8	91.7	165	
	1200	208-230/460	256TC	HHI10-12-256TC	\$2,222.00	13.8	91.0	300	
15	3600	208-230/460	254TC	HHI15-36-254TC	\$2,036.00	16.9	91.7	260	
	1800	208-230/460	254TC	HHI15-18-254TC	\$1,898.00	18.3	92.4	260	
	1200	208-230/460	284TC	HHI15-12-284TC	\$3,088.00	19.8	91.7	380	
20	3600	208-230/460	256TC	HHI20-36-256TC	\$2,246.00	23.1	91.7	300	
	1800	208-230/460	256TC	HHI20-18-256TC	\$2,225.00	24.8	93.0	300	
	1200	208-230/460	286TC	HHI20-12-286TC	\$3,638.00	26.7	91.7	410	
25	3600	208-230/460	284TSC	HHI25-36-284TSC	\$2,777.00	28.5	91.7	380	
	1800	208-230/460	284TC	HHI25-18-284TC	\$2,698.00	30.3	93.6	380	
	1800	208-230/460	284TSC	HHI25-18-284TSC	\$3,174.00	30.3	93.6	380	
	1200	208-230/460	324TC	HHI25-12-324TC	\$4,329.00	31.2	93.0	550	



HYUNDAI CROWN TRITON™ SERIES MOTORS PREMIUM EFFICIENCY

TEFC Enclosure ▪ C-Face ▪ Rigid Base
Three-Phase ▪ 208-230/460 and 460 Volt



HYUNDAI
PREMIUM EFFICIENCY

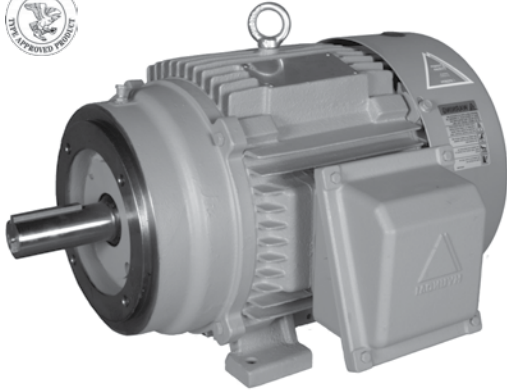
HP	RPM	Voltage	Frame	Model Number	List Price	FL Amps (A)	FL Eff. (%)	Approx. Wt. (lbs.)	Notes
30	3600	208-230/460	286TSC	HHI30-36-286TSC	\$3,260.00	33.8	91.7	410	
	1800	208-230/460	286TC	HHI30-18-286TC	\$3,014.00	36.0	93.6	410	
	1200	208-230/460	326TC	HHI30-12-326TC	\$4,892.00	37.1	93.0	560	
40	1800	208-230/460	324TC	HHI40-18-324TC	\$4,028.00	48.8	94.1	550	
	1200	208-230/460	364TC	HHI40-12-364TC	\$7,229.00	48.8	94.1	780	
50	1800	208-230/460	326TC	HHI50-18-326TC	\$5,105.00	59.9	94.5	620	
	1200	208-230/460	365TC	HHI50-12-365TC	\$8,511.00	60.2	94.1	840	
60	1800	208-230/460	364TC	HHI60-18-364TC	\$7,405.00	69.9	95.0	780	
	1200	208-230/460	404TC	HHI60-12-404TC	\$9,741.00	71.2	94.5	1120	
75	1800	208-230/460	365TC	HHI75-18-365TC	\$8,603.00	85.1	95.4	820	
	1800	208-230/460	365TSC	HHI75-18-365TSC	\$10,121.00	85.1	95.4	820	
	1200	208-230/460	405TC	HHI75-12-405TC	\$11,747.00	87.0	94.5	1220	
100	3600	208-230/460	405TSC	HHI100-36-405TSC	\$11,178.00	110.1	94.5	1110	
	1800	208-230/460	405TC	HHI100-18-405TC	\$11,313.00	114.1	95.4	1110	
	1800	208-230/460	405TSC	HHI100-18-405TSC	\$13,309.00	114.1	95.4	1110	
	1200	208-230/460	444TC	HHI100-12-444TC	\$14,119.00	116.6	95.0	1530	
125	1800	208-230/460	444TC	HHI125-18-444TC	\$14,616.00	142.0	95.4	1530	
	1800	208-230/460	444TSC	HHI125-18-444TSC	\$17,195.00	142.0	95.4	1530	
	1200	208-230/460	445TC	HHI125-12-445TC	\$16,644.00	147.7	95.0	1700	
150	1800	460	445TC	HHI150-18-445TC	\$16,899.00	163.8	95.8	1700	
	1800	460	445TSC	HHI150-18-445TSC	\$19,881.00	163.8	95.8	1700	
	1200	460	447TC	HHI150-12-447TC	\$19,416.00	169.5	95.8	1860	
200	1800	460	447TC	HHI200-18-447TC	\$19,566.00	222.4	96.2	1860	
	1800	460	447TSC	HHI200-18-447TSC	\$23,019.00	222.4	96.2	1860	
	1200	460	449TC	HHI200-12-449TC	\$23,327.00	231.2	95.8	2430	



When using any motor with a variable frequency drive, take precautions to eliminate or reduce shaft currents in order to prolong bearing life.

HYUNDAI CROWN TRITON™ SERIES MOTORS PREMIUM EFFICIENCY

TEFC Enclosure ▪ C-Face ▪ Rigid Base ▪ Factory F2 Mount
Three-Phase ▪ 208-230/460 and 460 Volt



Product Overview

- 20-200 HP
- 1800 RPM
- 208-230/460 volt (20-125 HP)
- 460 volt (150-200 HP)
- TEFC enclosure
- IP55 degree of protection
- Dual rated service factor 1.15 for 40°C / 1.0 for 65°C
- Class F insulation with Class N varnish
- C-face - rigid base
- Factory F2 mount
- Premium efficiency
- NEMA Design B
- Inverter ready, 10:1 CT / 20:1 VT
- Inverter shield insulation and inverter grade magnet wire meets or exceeds NEMA MG-1 Part 31 for exceptional corona and transient protection (254TC and up)
- Cast iron frame and conduit box
- Suitable for part winding start on low voltage (20-125 HP)
- Suitable for wye-delta start (20-200 HP)
- Double drilled feet to accommodate mounting flexibility (324TC-445TC)
- F1 field mountable
- Suitable for 50 hz operation with 1.0 service factor
- Class I, Division 2, Groups A, B, C, D

HYUNDAI
PREMIUM EFFICIENCY

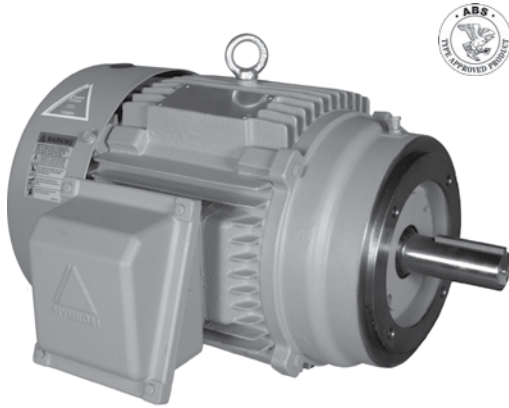
HP	RPM	Voltage	Frame	Model Number	List Price	FL Amps (A)	FL Eff. (%)	Approx. Wt. (lbs.)	Notes
20	1800	208-230/460	256TC	HHI20-18-256TC-F2	\$2,618.00	24.8	93.0	300	
25	1800	208-230/460	284TC	HHI25-18-284TC-F2	\$3,174.00	30.3	93.6	380	
30	1800	208-230/460	286TC	HHI30-18-286TC-F2	\$3,546.00	36.0	93.6	410	
40	1800	208-230/460	324TC	HHI40-18-324TC-F2	\$4,739.00	48.8	94.1	550	
50	1800	208-230/460	326TC	HHI50-18-326TC-F2	\$6,006.00	59.9	94.5	620	
60	1800	208-230/460	364TC	HHI60-18-364TC-F2	\$8,712.00	69.9	95.0	780	
100	1800	208-230/460	405TC	HHI100-18-405TC-F2	\$13,309.00	114.1	95.4	1110	
	1800	208-230/460	405TSC	HHI100-18-405TSC-F2	\$15,658.00	114.1	95.4	1110	
125	1800	208-230/460	444TC	HHI125-18-444TC-F2	\$17,195.00	142.0	95.4	1530	
150	1800	460	445TC	HHI150-18-445TC-F2	\$19,881.00	163.8	95.8	1700	
	1800	460	445TSC	HHI150-18-445TSC-F2	\$23,389.00	163.8	95.8	1700	
200	1800	460	447TC	HHI200-18-447TC-F2	\$23,019.00	222.4	96.2	1860	



HYUNDAI CROWN TRITON™ SERIES MOTORS

PREMIUM EFFICIENCY

TEFC Enclosure ▪ C-Face ▪ Round Body
Three-Phase ▪ 208-230/460 Volt



Product Overview

- 1-40 HP
- 1800 RPM
- 208-230/460 volt
- TEFC enclosure
- IP55 degree of protection
- Dual rated service factor
1.15 for 40°C / 1.0 for 65°C
- Class F insulation
with Class N varnish
- C-face - round body
- Premium efficiency
- NEMA Design B
- Inverter ready, 10:1 CT / 20:1 VT
- Inverter shield insulation and inverter grade magnet wire meets or exceeds NEMA MG-1 Part 31 for exceptional corona and transient protection (254TC and up)
- Cast iron frame and conduit box
- Suitable for part winding start on low voltage (20-40 HP)
- Suitable for wye-delta start (15-40 HP)
- F2 field mountable
- Suitable for 50 hz operation with 1.0 service factor
- Class I, Division 2, Groups A, B, C, D

HYUNDAI
PREMIUM EFFICIENCY

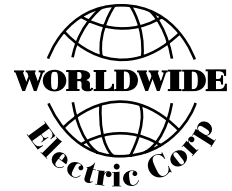
HP	RPM	Voltage	Frame	Model Number	List Price	FL Amps (A)	FL Eff. (%)	Approx. Wt. (lbs.)	Notes
1	1800	208-230/460	143TC	HHI1-18-143TCRD	\$487.00	1.6	85.5	53	
1.5	1800	208-230/460	145TC	HHI1.5-18-145TCRD	\$536.00	2.2	86.5	55	
2	1800	208-230/460	145TC	HHI2-18-145TCRD	\$664.00	3.0	86.5	55	
3	1800	208-230/460	182TC	HHI3-18-182TCRD	\$724.00	3.9	89.5	90	
5	1800	208-230/460	184TC	HHI5-18-184TCRD	\$823.00	6.5	89.5	105	
7.5	1800	208-230/460	213TC	HHI7.5-18-213TCRD	\$1,112.00	9.5	91.7	150	
10	1800	208-230/460	215TC	HHI10-18-215TCRD	\$1,339.00	12.8	91.7	165	
15	1800	208-230/460	254TC	HHI15-18-254TCRD	\$2,019.00	18.3	92.4	260	
20	1800	208-230/460	256TC	HHI20-18-256TCRD	\$2,367.00	24.8	93.0	300	
25	1800	208-230/460	284TC	HHI25-18-284TCRD	\$2,870.00	30.3	93.6	380	
30	1800	208-230/460	286TC	HHI30-18-286TCRD	\$3,206.00	36.0	93.6	410	
40	1800	208-230/460	324TC	HHI40-18-324TCRD	\$4,285.00	48.8	94.1	550	

When using any motor with a variable frequency drive, take precautions to eliminate or reduce shaft currents in order to prolong bearing life.



HYUNDAI CROWN TRITON™ SERIES MOTORS SEVERE DUTY LARGE FRAME ▪ PREMIUM EFFICIENCY

TEFC Enclosure ▪ Rigid Base
Three-Phase ▪ 460 Volt



Product Overview



- 250-600 HP
- 3600, 1800 and 1200 RPM
- Single voltage, 460 volt
- Dual frequency rated 50/60 hz nameplate
- TEFC enclosure
- IP55 degree of protection
- 1.15 service factor, 40°C ambient
- Class F insulation with Class N Varnish
- Class B temperature rise
- Rigid base
- Premium efficiency
- Cast iron frame and conduit box
- Heavy rolled steel fan cover
- Ground lug in terminal box
- Cast iron inner bearing caps
- Double drilled feet
- Bi-directional for 1800 and 1200 RPM ratings
- Uni-directional (CCW) for 3600 RPM ratings, each motor shipped with extra fan for directional change
- CSA Certified for Class I, Division 2, Groups A, B, C, D
- Inverter ready, 10:1 CT / 20:1 VT
- Inverter shield insulation and inverter grade magnet wire meets or exceeds NEMA MG-1 Part 31 for exceptional corona and transient protection

SEVERE DUTY LARGE FRAME
HYUNDAI

HP	RPM	Voltage	Frame	Model Number	List Price	FL Amps (A)	FL Eff. (%)	Approx. Wt. (lbs.)	Notes
250	1200	460	L449T	HSDE250-12-L449T	\$31,160.00	296.3	95.8	2890	R
	3600	460	L449TS	HSDE300-36-L449TS	\$37,521.00	327.5	95.8	2890	
	1800	460	L449T	HSDE300-18-L449T	\$30,885.00	333.6	96.2	2890	R
300	1800	460	L449T	HSDE300-18-L449TBB	\$30,885.00	333.6	96.2	2890	
	1800	460	L449T	HSDE300-18-L449T-IB	\$37,008.00	333.6	96.2	2890	IB R
	1200	460	L449T	HSDE300-12-L449T	\$32,261.00	350.9	95.8	3290	R
	1200	460	L449T	HSDE300-12-L449T-IB	\$38,455.00	350.9	95.8	3290	IB R
	3600	460	L449TS	HSDE350-36-L449TS	\$38,649.00	378.5	95.8	3090	
350	1800	460	L449T	HSDE350-18-L449T	\$35,831.00	385.5	96.2	3090	R
	1800	460	L449T	HSDE350-18-L449TBB	\$35,831.00	385.5	96.2	3090	
	1200	460	5008	HSDE350-12-5008	\$48,875.00	405.5	95.8	3880	R
	1200	460	5008	HSDE350-12-5008-IB	\$53,356.00	405.5	95.8	3880	IB R
400	3600	460	L449TS	HSDE400-36-L449TS	\$49,118.00	436.7	95.8	3770	
	3600	460	L449TS	HSDE400-36-L449TS-IB	\$53,597.00	436.7	95.8	3770	IB
	1800	460	L449T	HSDE400-18-L449T	\$44,908.00	444.3	96.2	3570	R
	1800	460	L449T	HSDE400-18-L449TBB	\$44,908.00	444.3	96.2	3570	
	1200	460	5010	HSDE400-12-5010	\$55,681.00	467.9	95.8	4760	R
450	3600	460	5009S	HSDE450-36-5009S	\$57,754.00	487.7	95.8	3860	
	1800	460	5009	HSDE450-18-5009	\$52,481.00	491.1	96.2	3970	R
	1800	460	5009	HSDE450-18-5009BB	\$52,481.00	491.1	96.2	3970	
	1200	460	5011	HSDE450-12-5011	\$63,664.00	522.5	95.8	4850	R
500	3600	460	5010S	HSDE500-36-5010S	\$58,672.00	545.9	95.8	4740	W
	1800	460	5010	HSDE500-18-5010	\$56,173.00	549.7	96.2	4760	R W
	1800	460	5010	HSDE500-18-5010BB	\$56,173.00	549.7	96.2	4760	W
600	1800	460	5011	HSDE600-18-5011	\$63,421.00	659.7	96.2	4940	R W

IB Insulated opposite drive-end bearing installed
R Roller bearing on drive end for belted applications
W Winding RTDs provided (two per phase)

When using any motor with a variable frequency drive, take precautions to eliminate or reduce shaft currents in order to prolong bearing life.

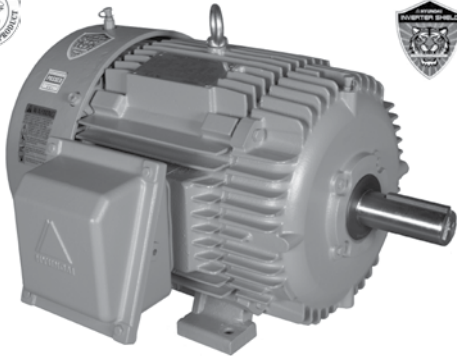


HYUNDAI CROWN TRITON™ SERIES MOTORS

IEEE-841

TEFC Enclosure ▪ Rigid Base

Three-Phase ▪ 460 Volt



Product Overview

- 1-250 HP
- 3600, 1800 and 1200 RPM
- Single voltage, 460 volt
- TEFC enclosure
- IP56 degree of protection
- Dual rated service factor
1.15 for 40°C / 1.0 for 65°C
- Class F insulation with Class N varnish
- Rigid base
- Full compliance with IEEE-841, version 2009
- Premium efficiency
- Class B temperature rise
- NEMA design B torque
- Parker Hannifin ProTech IP66 labyrinth seals on both drive-end and opposite drive-end bearings
- Inverter duty, 10:1 CT / 1000:1 VT
- Inverter shield insulation and inverter grade magnet wire meets or exceeds NEMA MG-1 Part 31 for exceptional corona and transient protection
- IEEE-841 motor test report supplied with each motor
- Suitable for 50 hz operation with 1.0 service factor
- CSA Certified For Class I, Division 2, Groups A, B, C, D

HYUNDAI
IEEE-841

HP	RPM	Voltage	Frame	Model Number	List Price	FL Amps (A)	FL Eff. (%)	Approx. Wt. (lbs.)	Notes
1	1800	460	143T	IEEE1-18-143T	\$885.00	1.6	85.5	53	
	1200	460	145T	IEEE1-12-145T	\$1,055.00	1.8	82.5	55	
	3600	460	143T	IEEE1.5-36-143T	\$970.00	2.0	84.0	53	
1.5	1800	460	145T	IEEE1.5-18-145T	\$946.00	2.2	86.5	55	
	1200	460	182T	IEEE1.5-12-182T	\$1,150.00	2.3	87.5	90	
	3600	460	145T	IEEE2-36-145T	\$1,016.00	2.6	85.5	55	
2	1800	460	145T	IEEE2-18-145T	\$1,022.00	3.0	86.5	55	
	1200	460	184T	IEEE2-12-184T	\$1,350.00	3.0	88.5	105	
	3600	460	182T	IEEE3-36-182T	\$1,255.00	3.8	86.5	90	
3	1800	460	182T	IEEE3-18-182T	\$1,252.00	3.9	89.5	90	
	1200	460	213T	IEEE3-12-213T	\$1,727.00	4.5	89.5	150	
	3600	460	184T	IEEE5-36-184T	\$1,405.00	6.1	88.5	105	
5	1800	460	184T	IEEE5-18-184T	\$1,423.00	6.5	89.5	105	
	1200	460	215T	IEEE5-12-215T	\$1,980.00	7.4	89.5	165	
	3600	460	213T	IEEE7.5-36-213T	\$1,739.00	9.0	89.5	150	
7.5	1800	460	213T	IEEE7.5-18-213T	\$1,752.00	9.5	91.7	150	
	1200	460	254T	IEEE7.5-12-254T	\$2,801.00	10.3	91.0	260	
	3600	460	215T	IEEE10-36-215T	\$1,904.00	12.0	90.2	165	
10	1800	460	215T	IEEE10-18-215T	\$1,934.00	12.8	91.7	165	
	1200	460	256T	IEEE10-12-256T	\$3,205.00	13.8	91.0	300	
	3600	460	254T	IEEE15-36-254T	\$2,840.00	16.9	91.7	260	
15	1800	460	254T	IEEE15-18-254T	\$2,630.00	18.3	92.4	260	
	1200	460	284T	IEEE15-12-284T	\$4,036.00	19.8	91.7	380	
	3600	460	256T	IEEE20-36-256T	\$3,162.00	23.1	91.7	300	
20	1800	460	256T	IEEE20-18-256T	\$3,074.00	24.8	93.0	300	
	1200	460	286T	IEEE20-12-286T	\$4,275.00	26.7	91.7	390	
	3600	460	284TS	IEEE25-36-284TS	\$3,528.00	28.5	91.7	380	
25	1800	460	284T	IEEE25-18-284T	\$3,643.00	30.3	93.6	380	
	1200	460	324T	IEEE25-12-324T	\$4,951.00	31.2	93.0	550	

When using any motor with a variable frequency drive, take precautions to eliminate or reduce shaft currents in order to prolong bearing life.



HYUNDAI CROWN TRITON™ SERIES MOTORS

IEEE-841

TEFC Enclosure ▪ Rigid Base

Three-Phase ▪ 460 Volt



HP	RPM	Voltage	Frame	Model Number	List Price	FL Amps (A)	FL Eff. (%)	Approx. Wt. (lbs.)	Notes
30	3600	460	286TS	IEEE30-36-286TS	\$3,728.00	33.8	91.7	410	
	1800	460	286T	IEEE30-18-286T	\$4,090.00	36.0	93.6	410	
	1200	460	326T	IEEE30-12-326T	\$5,769.00	37.1	93.0	560	
40	3600	460	324TS	IEEE40-36-324TS	\$5,261.00	45.5	92.4	530	
	1800	460	324T	IEEE40-18-324T	\$5,139.00	48.8	94.1	550	
	1200	460	364T	IEEE40-12-364T	\$9,685.00	48.8	94.1	780	
50	3600	460	326TS	IEEE50-36-326TS	\$5,930.00	55.8	93.0	540	
	1800	460	326T	IEEE50-18-326T	\$6,030.00	59.9	94.5	560	
	1200	460	365T	IEEE50-12-365T	\$10,501.00	60.2	94.1	840	
60	3600	460	364TS	IEEE60-36-364TS	\$8,861.00	65.6	94.1	780	
	1800	460	364T	IEEE60-18-364T	\$10,050.00	69.9	95.0	780	
	1200	460	404T	IEEE60-12-404T	\$12,480.00	71.2	94.5	1120	R
75	3600	460	365TS	IEEE75-36-365TS	\$10,123.00	79.8	94.5	820	
	1800	460	365T	IEEE75-18-365T	\$10,378.00	85.1	95.4	820	
	1200	460	405T	IEEE75-12-405T	\$13,653.00	87.0	94.5	1220	R
100	3600	460	405TS	IEEE100-36-405TS	\$12,695.00	110.1	94.5	1110	
	1800	460	405T	IEEE100-18-405T	\$15,468.00	114.1	95.4	1110	R
	1800	460	405T	IEEE100-18-405TBB	\$15,468.00	114.1	95.4	1110	
	1200	460	444T	IEEE100-12-444T	\$16,968.00	116.6	95.0	1530	R
125	3600	460	444TS	IEEE125-36-444TS	\$19,304.00	139.5	95.0	1610	
	1800	460	444T	IEEE125-18-444T	\$18,786.00	142.0	95.4	1530	R
	1800	460	444T	IEEE125-18-444TBB	\$18,786.00	142.0	95.4	1530	
	1200	460	445T	IEEE125-12-445T	\$19,690.00	147.7	95.0	1700	R
150	3600	460	445TS	IEEE150-36-445TS	\$21,225.00	161.5	95.0	1770	
	1800	460	445T	IEEE150-18-445T	\$21,265.00	163.8	95.8	1770	R
	1800	460	445T	IEEE150-18-445TBB	\$21,265.00	163.8	95.8	1770	
	1200	460	447T	IEEE150-12-447T	\$22,958.00	169.5	95.8	1860	R
200	3600	460	447TS	IEEE200-36-447TS	\$27,763.00	219.3	95.4	1900	
	1800	460	447T	IEEE200-18-447T	\$23,977.00	222.4	96.2	1860	R
	1800	460	447T	IEEE200-18-447TBB	\$23,977.00	222.4	96.2	1860	
	1200	460	449T	IEEE200-12-449T	\$27,280.00	231.2	95.8	2430	R
250	3600	460	449TS	IEEE250-36-449TS	\$32,917.00	276.6	95.8	2430	
	1800	460	449T	IEEE250-18-449T	\$29,650.00	281.7	96.2	2430	R
	1800	460	449T	IEEE250-18-449TBB	\$29,650.00	281.7	96.2	2430	

HYUNDAI
IEEE-841

IEEE Motor C-Flange Kits

Frame Size	Model Number	List Price	Approx. Wt. (lbs.)
143T / 145T	IH140TC	\$125.00	7
182T / 184T	IH180TC	\$157.00	7
213T / 215T	IH210TC	\$217.00	14
254T / 256T	IH250TC	\$481.00	36
284T / 286T	IH280TC	\$575.00	38
324T / 326T	IH320TC	\$745.00	48
364T / 365T	IH360TC	\$1,052.00	55
404T / 405T	IH400TC	\$1,245.00	148
444T / 445T / 447T / 449T	IH440TC	\$1,703.00	148

R Roller bearing on drive end for belted applications

www.worldwideelectric.net



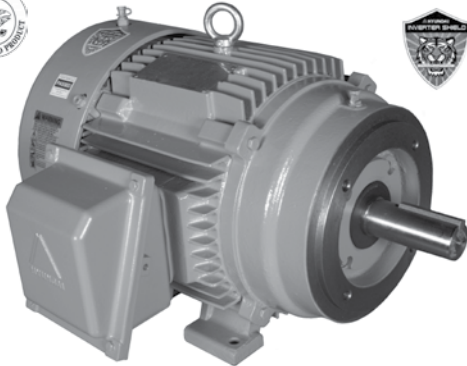
When using any motor with a variable frequency drive, take precautions to eliminate or reduce shaft currents in order to prolong bearing life.

HYUNDAI CROWN TRITON™ SERIES MOTORS

IEEE-841

TEFC Enclosure ▪ C-Face ▪ Rigid Base

Three-Phase ▪ 460 Volt



Product Overview

- 1-100 HP
- 3600 and 1800 RPM
- Single voltage, 460 volt
- TEFC enclosure
- IP56 degree of protection
- Dual rated service factor
1.15 for 40°C / 1.0 for 65°C
- Class F insulation with Class N varnish
- C-face - rigid base
- Full compliance with IEEE-841, version 2009
- Premium efficiency
- Class B temperature rise
- NEMA design B torque
- Parker Hannifin ProTech IP66 labyrinth seals on both drive-end and opposite drive-end bearings
- Inverter duty, 10:1 CT / 1000:1 VT
- Inverter shield insulation and inverter grade magnet wire meets or exceeds NEMA MG-1 Part 31 for exceptional corona and transient protection
- IEEE-841 motor test report supplied with each motor
- Suitable for 50 hz operation with 1.0 service factor
- CSA Certified For Class I, Division 2, Groups A, B, C, D

HYUNDAI
IEEE-841

HP	RPM	Voltage	Frame	Model Number	List Price	FL Amps (A)	FL Eff. (%)	Approx. Wt. (lbs.)	Notes
1	1800	460	143TC	IEEE1-18-143TC	\$922.00	1.6	85.5	53	
	3600	460	143TC	IEEE1.5-36-143TC	\$1,010.00	2.0	84.0	53	
1.5	1800	460	145TC	IEEE1.5-18-145TC	\$985.00	2.2	86.5	55	
	3600	460	145TC	IEEE2-36-145TC	\$1,058.00	2.6	85.5	55	
2	1800	460	145TC	IEEE2-18-145TC	\$1,065.00	3.0	86.5	55	
	3600	460	182TC	IEEE3-36-182TC	\$1,307.00	3.8	86.5	90	
3	1800	460	182TC	IEEE3-18-182TC	\$1,304.00	3.9	89.5	90	
	3600	460	184TC	IEEE5-36-184TC	\$1,464.00	6.1	88.5	105	
5	1800	460	184TC	IEEE5-18-184TC	\$1,482.00	6.5	89.5	105	
	3600	460	213TC	IEEE7.5-36-213TC	\$1,811.00	9.0	89.5	150	
7.5	1800	460	213TC	IEEE7.5-18-213TC	\$1,825.00	9.5	91.7	150	
	3600	460	215TC	IEEE10-36-215TC	\$1,983.00	12.0	90.2	165	
10	1800	460	215TC	IEEE10-18-215TC	\$2,015.00	12.8	91.7	165	
	3600	460	254TC	IEEE15-36-254TC	\$2,958.00	16.9	91.7	260	
15	1800	460	254TC	IEEE15-18-254TC	\$2,740.00	18.3	92.4	260	
	3600	460	256TC	IEEE20-36-256TC	\$3,294.00	23.1	91.7	300	
20	1800	460	256TC	IEEE20-18-256TC	\$3,202.00	24.8	93.0	300	
	3600	460	284TSC	IEEE25-36-284TSC	\$3,675.00	28.5	91.7	380	
25	1800	460	284TC	IEEE25-18-284TC	\$3,795.00	30.3	93.6	380	
	3600	460	286TSC	IEEE30-36-286TSC	\$3,883.00	33.8	91.7	410	
30	1800	460	286TC	IEEE30-18-286TC	\$4,260.00	36.0	93.6	410	
	3600	460	324TSC	IEEE40-36-324TSC	\$5,480.00	45.5	92.4	530	
40	1800	460	324TC	IEEE40-18-324TC	\$5,353.00	48.8	94.1	550	
	3600	460	326TSC	IEEE50-36-326TSC	\$6,177.00	55.8	93.0	540	
50	1800	460	326TC	IEEE50-18-326TC	\$6,281.00	59.9	94.5	560	
	3600	460	364TC	IEEE60-18-364TC	\$10,469.00	69.9	95.0	780	
75	1800	460	365TC	IEEE75-18-365TC	\$10,810.00	85.1	95.4	820	
100	1800	460	405TC	IEEE100-18-405TC	\$16,113.00	114.1	95.4	1110	

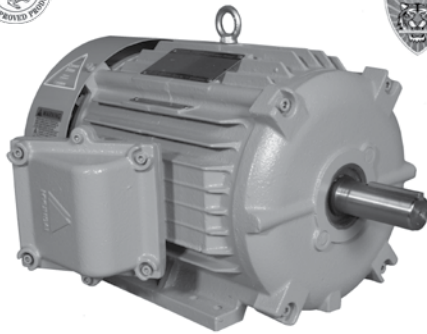
When using any motor with a variable frequency drive, take precautions to eliminate or reduce shaft currents in order to prolong bearing life.



HYUNDAI CROWN TRITON™ SERIES MOTORS EXPLOSION PROOF ▪ INVERTER DUTY

TEXP Enclosure ▪ Rigid Base

Three-Phase ▪ 208-230/460 and 460 Volt



Product Overview

- 1-250 HP
- 3600, 1800 and 1200 RPM
- 208-230/460 volt (1-125 HP)
- 460 volt (150-250 HP)
- TEXP enclosure
- 1.15 service factor
- Class F insulation with Class N varnish
- Class B temperature rise
- Rigid base
- Premium efficiency
- NEMA design B
- Suitable for 50 hz operation with 1.0 service factor
- Inverter duty with 1.0 service factor
- 4:1 CT (constant) / 10:1 CT (intermittent-1 Hour) / 10:1 VT
- Inverter shield insulation and inverter grade magnet wire meets or exceeds NEMA MG-1 Part 31 for exceptional corona and transient protection
- Cast iron frame and conduit box
- Suitable for part winding start on low voltage (1-125 HP)
- Suitable for wye-delta start (15-200 HP)
- Unique multiple rating system for 40° and 55°C ambient
 - 143T-215T: T2C at 40°C, T2B at 55°C, T4 when thermostat is connected
 - 254T-286T: T2D at 40°C, T2C at 55°C, T4 when thermostat is connected
 - 324T-405T: T3 at 40°C, T2D at 55°C, T4 when thermostat is connected
 - 445T-449T: T3 at 40°C, T2D at 55°C, T4 when thermostat is connected and 1.0 SF
- Class I, Division 1, Groups C & D, UL Certification
- CC # 038A
- CSA Energy Certified

HP	RPM	Voltage	Frame	Model Number	List Price	FL Amps (A)	FL Eff. (%)	Approx. Wt. (lbs.)	Notes
1	1800	208-230/460	143T	IXHHI1-18-143T	\$1,010.00	1.6	85.5	64	
	1200	208-230/460	145T	IXHHI1-12-145T	\$1,089.00	1.8	82.5	66	
	3600	208-230/460	143T	IXHHI1.5-36-143T	\$1,060.00	2.0	84.0	64	
1.5	1800	208-230/460	145T	IXHHI1.5-18-145T	\$1,070.00	2.2	86.5	66	
	1200	208-230/460	182T	IXHHI1.5-12-182T	\$1,334.00	2.3	87.5	112	
	3600	208-230/460	145T	IXHHI2-36-145T	\$1,145.00	2.6	85.5	66	
2	1800	208-230/460	145T	IXHHI2-18-145T	\$1,164.00	3.0	86.5	66	
	1200	208-230/460	184T	IXHHI2-12-184T	\$1,625.00	3.0	88.5	121	
	3600	208-230/460	182T	IXHHI3-36-182T	\$1,541.00	3.8	86.5	112	
3	1800	208-230/460	182T	IXHHI3-18-182T	\$1,536.00	3.9	89.5	112	
	1200	208-230/460	213T	IXHHI3-12-213T	\$2,040.00	4.5	89.5	160	
	3600	208-230/460	184T	IXHHI5-36-184T	\$1,736.00	6.1	88.5	121	
5	1800	208-230/460	184T	IXHHI5-18-184T	\$1,754.00	6.5	89.5	121	
	1200	208-230/460	215T	IXHHI5-12-215T	\$2,531.00	7.4	89.5	180	
	3600	208-230/460	213T	IXHHI7.5-36-213T	\$2,260.00	9.0	89.5	160	
7.5	1800	208-230/460	213T	IXHHI7.5-18-213T	\$2,420.00	9.5	91.7	160	
	1200	208-230/460	254T	IXHHI7.5-12-254T	\$3,197.00	10.3	91.0	310	
	3600	208-230/460	215T	IXHHI10-36-215T	\$2,527.00	12.0	90.2	180	
10	1800	208-230/460	215T	IXHHI10-18-215T	\$2,581.00	12.8	91.7	180	
	1200	208-230/460	256T	IXHHI10-12-256T	\$3,693.00	13.8	91.0	350	
	3600	208-230/460	254T	IXHHI15-36-254T	\$3,665.00	16.9	91.7	310	
15	1800	208-230/460	254T	IXHHI15-18-254T	\$3,523.00	18.3	92.4	310	
	1200	208-230/460	284T	IXHHI15-12-284T	\$4,571.00	19.8	91.7	440	
	3600	208-230/460	256T	IXHHI20-36-256T	\$3,830.00	23.1	91.7	350	
20	1800	208-230/460	256T	IXHHI20-18-256T	\$3,742.00	24.8	93.0	350	
	1200	208-230/460	286T	IXHHI20-12-286T	\$4,960.00	26.7	91.7	480	

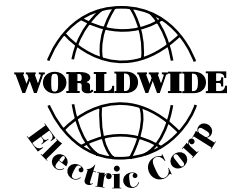
HYUNDAI
EXPLOSION PROOF



HYUNDAI CROWN TRITON™ SERIES MOTORS EXPLOSION PROOF ▪ INVERTER DUTY

TEXP Enclosure ▪ Rigid Base

Three-Phase ▪ 208-230/460 and 460 Volt



HP	RPM	Voltage	Frame	Model Number	List Price	FL Amps (A)	FL Eff. (%)	Approx. Wt. (lbs.)	Notes
25	3600	208-230/460	284TS	IXHHI25-36-284TS	\$4,503.00	28.5	91.7	440	
	1800	208-230/460	284T	IXHHI25-18-284T	\$4,724.00	30.3	93.6	440	
	1200	208-230/460	324T	IXHHI25-12-324T	\$6,365.00	31.2	93.0	840	
30	3600	208-230/460	286TS	IXHHI30-36-286TS	\$5,225.00	33.8	91.7	480	
	1800	208-230/460	286T	IXHHI30-18-286T	\$4,977.00	36.0	93.6	480	
	1200	208-230/460	326T	IXHHI30-12-326T	\$6,956.00	37.1	93.0	820	
40	3600	208-230/460	324TS	IXHHI40-36-324TS	\$6,255.00	45.5	92.4	800	
	1800	208-230/460	324T	IXHHI40-18-324T	\$6,614.00	48.8	94.1	820	
	1200	208-230/460	364T	IXHHI40-12-364T	\$10,307.00	48.8	94.1	1113	
50	3600	208-230/460	326TS	IXHHI50-36-326TS	\$7,749.00	55.8	93.0	820	
	1800	208-230/460	326T	IXHHI50-18-326T	\$7,714.00	59.9	94.5	840	
	1200	208-230/460	365T	IXHHI50-12-365T	\$11,513.00	60.2	94.1	1173	
60	3600	208-230/460	364TS	IXHHI60-36-364TS	\$10,665.00	65.6	94.1	1047	
	1800	208-230/460	364T	IXHHI60-18-364T	\$10,521.00	69.9	95.0	1113	
	1200	208-230/460	404T	IXHHI60-12-404T	\$13,889.00	71.2	94.5	1532	
75	3600	208-230/460	365TS	IXHHI75-36-365TS	\$12,136.00	79.8	94.5	1087	
	1800	208-230/460	365T	IXHHI75-18-365T	\$11,574.00	85.1	95.4	1153	
	1200	208-230/460	405T	IXHHI75-12-405T	\$15,707.00	87.0	94.5	1830	
100	3600	208-230/460	405TS	IXHHI100-36-405TS	\$15,156.00	110.1	94.5	1852	
	1800	208-230/460	405T	IXHHI100-18-405TBB	\$15,514.00	114.1	95.4	1830	
	1200	208-230/460	444T	IXHHI100-12-444TBB	\$19,565.00	116.6	95.0	2116	
125	3600	208-230/460	444TS	IXHHI125-36-444TS	\$18,502.00	139.5	95.0	2006	
	1800	208-230/460	444T	IXHHI125-18-444TBB	\$18,738.00	142.0	95.4	2116	
	1200	208-230/460	445T	IXHHI125-12-445TBB	\$24,415.00	147.7	95.0	2293	
150	3600	460	445TS	IXHHI150-36-445TS	\$23,974.00	161.5	95.0	2249	
	1800	460	445T	IXHHI150-18-445TBB	\$26,620.00	163.8	95.8	2293	
	1200	460	447T	IXHHI150-12-447TBB	\$33,619.00	169.5	95.8	2756	
200	3600	460	447TS	IXHHI200-36-447TS	\$31,690.00	219.3	95.4	2690	
	1800	460	447T	IXHHI200-18-447TBB	\$31,414.00	222.4	96.2	2756	
	1200	460	449T	IXHHI200-12-449TBB	\$48,223.00	231.2	95.8	3086	
250	3600	460	449TS	IXHHI250-36-449TS	\$44,772.00	276.6	95.8	3020	
	1800	460	449T	IXHHI250-18-449TBB	\$44,885.00	281.7	96.2	3086	

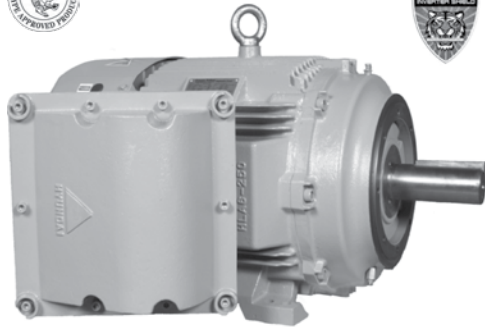
HYUNDAI
EXPLOSION PROOF



When using any motor with a variable frequency drive, take precautions to eliminate or reduce shaft currents in order to prolong bearing life.

HYUNDAI CROWN TRITON™ SERIES MOTORS EXPLOSION PROOF ▪ INVERTER DUTY

TEXP Enclosure ▪ C-Face ▪ Rigid Base
Three-Phase ▪ 208-230/460 Volt



Product Overview

- 2-100 HP
- 3600, 1800 and 1200 RPM
- 208-230/460 volt
- TEXP enclosure
- 1.15 service factor
- Class F insulation with Class N varnish
- Class B temperature rise
- C-face - rigid base
- Premium efficiency
- NEMA design B
- Suitable for 50 hz operation with 1.0 service factor
- Inverter duty with 1.0 service factor
- 4:1 CT (constant) / 10:1 CT (intermittent-1 Hour) / 10:1 VT
- Inverter shield insulation and inverter grade magnet wire meets or exceeds NEMA MG-1 Part 31 for exceptional corona and transient protection
- Cast iron frame and conduit box
- Suitable for part winding start on low voltage
- Suitable for wye-delta start (15-100 HP)
- Unique multiple rating system for 40° and 55°C ambient
 - 145TC-215TC: T2C at 40°C, T2B at 55°C, T4 when thermostat is connected
 - 254TC-286TC: T2D at 40°C, T2C at 55°C, T4 when thermostat is connected
 - 324TC-405TC: T3 at 40°C, T2D at 55°C, T4 when thermostat is connected
- Class I, Division 1, Groups C & D, UL Certification
- CC # 038A
- CSA Energy Certified



HP	RPM	Voltage	Frame	Model Number	List Price	FL Amps (A)	FL Eff. (%)	Approx. Wt. (lbs.)	Notes
2	1800	208-230/460	145TC	IXHHI2-18-145TC	\$1,213.00	3.0	86.5	66	
3	1800	208-230/460	182TC	IXHHI3-18-182TC	\$1,600.00	3.9	89.5	112	
5	1800	208-230/460	184TC	IXHHI5-18-184TC	\$1,827.00	6.5	89.5	121	
	1200	208-230/460	215TC	IXHHI5-12-215TC	\$2,636.00	7.4	89.5	180	
7.5	3600	208-230/460	213TC	IXHHI7.5-36-213TC	\$2,354.00	9.0	89.5	160	
	1800	208-230/460	213TC	IXHHI7.5-18-213TC	\$2,521.00	9.5	91.7	160	
10	1200	208-230/460	254TC	IXHHI7.5-12-254TC	\$3,330.00	10.3	91.0	310	
	3600	208-230/460	215TC	IXHHI10-36-215TC	\$2,632.00	12.0	90.2	180	
	1800	208-230/460	215TC	IXHHI10-18-215TC	\$2,689.00	12.8	91.7	180	
15	1200	208-230/460	256TC	IXHHI10-12-256TC	\$3,847.00	13.8	91.0	350	
	3600	208-230/460	254TC	IXHHI15-36-254TC	\$3,818.00	16.9	91.7	310	
	1800	208-230/460	254TC	IXHHI15-18-254TC	\$3,670.00	18.3	92.4	310	
20	1200	208-230/460	284TC	IXHHI15-12-284TC	\$4,761.00	19.8	91.7	440	
	3600	208-230/460	256TC	IXHHI20-36-256TC	\$3,990.00	23.1	91.7	350	
	1800	208-230/460	256TC	IXHHI20-18-256TC	\$3,898.00	24.8	93.0	350	
25	1200	208-230/460	286TC	IXHHI20-12-286TC	\$5,167.00	26.7	91.7	480	
	3600	208-230/460	284TSC	IXHHI25-36-284TSC	\$4,691.00	28.5	91.7	440	
	1800	208-230/460	284TC	IXHHI25-18-284TC	\$4,921.00	30.3	93.6	440	
30	3600	208-230/460	286TSC	IXHHI30-36-286TSC	\$5,443.00	33.8	91.7	480	
	1800	208-230/460	286TC	IXHHI30-18-286TC	\$5,184.00	36.0	93.6	480	
40	3600	208-230/460	324TSC	IXHHI40-36-324TSC	\$6,516.00	45.5	92.4	800	
	1800	208-230/460	324TC	IXHHI40-18-324TC	\$6,890.00	48.8	94.1	820	
50	3600	208-230/460	326TSC	IXHHI50-36-326TSC	\$8,072.00	55.8	93.0	820	
	1800	208-230/460	326TC	IXHHI50-18-326TC	\$8,035.00	59.9	94.5	840	
60	3600	208-230/460	364TSC	IXHHI60-36-364TSC	\$11,109.00	65.6	94.1	1047	
	1800	208-230/460	364TC	IXHHI60-18-364TC	\$10,959.00	69.9	95.0	1113	
75	3600	208-230/460	365TSC	IXHHI75-36-365TSC	\$12,642.00	79.8	94.5	1087	
	1800	208-230/460	365TC	IXHHI75-18-365TC	\$12,056.00	85.1	95.4	1153	
100	3600	208-230/460	405TSC	IXHHI100-36-405TSC	\$15,788.00	110.1	94.5	1852	
	1800	208-230/460	405TC	IXHHI100-18-405TC	\$16,160.00	114.1	95.4	1830	

HYUNDAI
EXPLOSION PROOF

When using any motor with a variable frequency drive, take precautions to eliminate or reduce shaft currents in order to prolong bearing life.



MOTOR ACCESSORIES

WORLDWIDE MOTOR SLIDE BASES



Product Overview

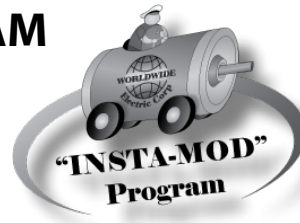
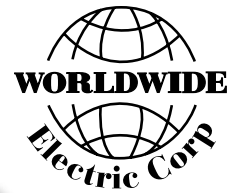
- Bases are provided with washers
- Bases are painted with an oven-baked primer for better contact of customer's paint
- All "D" bolts (motor mounting bolts) are Grade 5 and welded into position to prevent spinning and "dropping" from slots
- All "D" bolts are fixed to the exact foot pattern of the motor to aid in easier motor installation
- Exact drop-in replacement for all major make slide bases
- Single adjusting screws for frames 56-145T
- Double adjusting screws for frames 182T-505T

Frame	Model Number	List Price	Approx. Wt. (lbs.)
56	W56	\$18.83	3
143T	W143T	\$36.25	6
145T	W145T	\$36.25	7
182T	W182T	\$49.30	10
184T	W184T	\$49.30	10
213T	W213T	\$73.35	15
215T	W215T	\$73.35	17
254T	W254T	\$99.91	19
256T	W256T	\$99.91	20
284T	W284T	\$112.36	24
286T	W286T	\$112.36	25
324T	W324T	\$163.48	35
326T	W326T	\$163.48	36
364T	W364T	\$227.54	49
365T	W365T	\$227.54	50
404T	W404T	\$278.73	66
405T	W405T	\$278.73	68
444T	W444T	\$314.93	74
445T	W445T	\$314.93	76
447T	W447T	\$416.56	102
449T	W449T	\$416.56	105
505T	W505T	\$647.17	137

MOTOR ACCESSORIES



WORLDWIDE ELECTRIC CORPORATION "INSTA-MOD" MODIFICATION PROGRAM



The "INSTA-MOD" Modification Program is the quickest way to get custom-built motors!

Call WorldWide Electric to request an "INSTA-MOD" quote today!

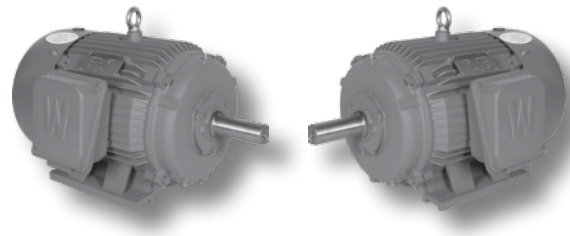
C-Flange / D-Flange Adaptation

Installation of C-Flange or D-Flange.



F1 / F2 Mount Conversion

Convert from F1 mount to F2 mount or convert from F2 mount to F1 mount.



Turn Down T to TS Short Shaft

Convert from "T" to "TS" shaft dimensions.

Space Heaters (120 or 240 Volt)

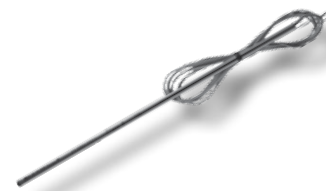
Resistance heaters are provided and installed in the motor to prevent condensation of moisture on the motor windings.

Winding Thermistors

Thermistors are provided and placed in the stator windings and as critical temperature is reached, the resistance of the thermistors changes radically, causing operation of the control relay.

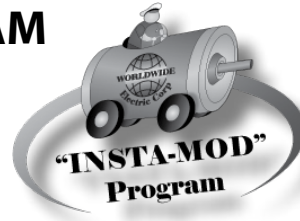
Bearing / Winding RTDs

Resistance Thermal Detectors are inserted into the bearing journal or windings to measure temperature change and detect possible overheating.



Please call for additional modifications and explosion proof modifications not seen above.

WORLDWIDE ELECTRIC CORPORATION "INSTA-MOD" MODIFICATION PROGRAM



The "INSTA-MOD" Modification Program is the quickest way to get custom-built motors!

Call WorldWide Electric to request an "INSTA-MOD" quote today!

Bearing Change

Change roller bearing to ball bearing or ball bearing to roller bearing.



Insulated ODE Bearing

Opposite drive-end bearing is insulated to prevent circulating current damage to the bearing.



Current Diverter Ring

Provided and installed to protect your motor bearings and coupled equipment from damaging electrical currents.



IEEE / Washdown - White Epoxy Paint

Suitable for use in USDA inspected facilities.
Conforms to AWWA D102 Outside Coating Systems:
#4 (OCS-4), #5 (OCS-5) and #6 (OCS-6)

Fungus Protection / Tropicalization

Protection of windings, electrical and mechanical parts of motor from tropical environments.

Please call for additional modifications and explosion proof modifications not seen above.



1. All WorldWide Electric products (electric motors, motor controls and gearing products) that are purchased as normal stock items may be returned, with freight to be paid, back to the closest WorldWide Electric warehouse by the customer.
2. Any returned products must be new, undamaged and in original cartons/packaging. Final credit will not be issued until WorldWide Electric has verified the products/shipping cartons as such.
3. All RGA requests must be made within 90 days of original purchase.
4. If the returned products were ordered incorrectly by the customer, 20% will be levied as a restocking charge which carries a minimum \$50 charge.
5. If the customer places an order equal to or greater than the goods being returned, then the restocking charge will be 10% (minimum \$50 charge).
6. If the product being returned was originally shipped to the customer prepaid and allowed, the original freight charge will be deducted from the return credit.
7. If the returned products are not in original condition (as well as the packaging), there will be additional fees applied to repair and/or replace those parts/products.

WORLDWIDE ELECTRIC CORPORATION

Warranty Policy - Motors



Warranty Length

The warranty length for WorldWide Electric Motors is as follows:

WORLDWIDE FRACTIONAL HP MOTORS

General Purpose Motors	Two (2) years from date of sale (invoice)
Stainless Steel / Washdown Duty Motors	Three (3) years from date of sale (invoice)
Jet Pump Motors	Two (2) years from date of sale (invoice)
Permanent Magnet DC Motors	One (1) year from date of sale (invoice)

WORLDWIDE FARM DUTY MOTORS

Two (2) years from date of sale (invoice)

WORLDWIDE GENERAL PURPOSE MOTORS

Two (2) years from date of sale (invoice)

WORLDWIDE EPIC PLUS SEVERE DUTY MOTORS

Three (3) years from date of sale (invoice)

WORLDWIDE EXPLOSION PROOF MOTORS

Two (2) years from date of sale (invoice)

WORLDWIDE AGGREGATE MOTORS

Two (2) years from date of sale (invoice)

WORLDWIDE OIL WELL PUMP MOTORS

Two (2) years from date of sale (invoice)

WORLDWIDE CLOSE COUPLED PUMP MOTORS

Two (2) years from date of sale (invoice)

WORLDWIDE VERTICAL HOLLOW SHAFT MOTORS

Two (2) years from date of sale (invoice)

HYUNDAI PREMIUM EFFICIENCY MOTORS

Three (3) years from date of sale (invoice)

HYUNDAI IEEE-841 MOTORS

Five (5) years from date of sale (invoice)

HYUNDAI EXPLOSION PROOF MOTORS

Three (3) years from date of sale (invoice)

HYUNDAI SEVERE DUTY LARGE FRAME MOTORS

Three (3) years from date of sale (invoice)

HYUNDAI MEDIUM & HIGH VOLTAGE MOTORS

One (1) year from date of sale (invoice)

WORLDWIDE MOTOR SLIDE BASES

Three (3) years from date of sale (invoice)

WORLDWIDE ELECTRIC CORPORATION

Warranty Policy - Motors



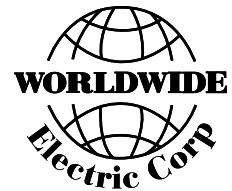
Warranty Procedure

ALL WORLDWIDE ELECTRIC MOTORS WITH THE EXCEPTION OF IEEE-841, EXPLOSION PROOF AND VERTICAL HOLLOW SHAFT MOTORS:

1. Motors up to and including 286T are covered by our nameplate only policy. If the motor has failed due to a manufacturer's defect within the warranty period, the customer must complete the NAMEPLATE WARRANTY CREDIT REQUEST FORM, attach the nameplate to the completed form and mail to WorldWide Electric for credit (photo of nameplate required for stainless steel / washdown duty motors). **Please note, the Nameplate Warranty Credit Request Form should be mailed via certified mail.** WorldWide Electric shall not be liable for any labor or operating costs connected with the replacement of the motor. The purchaser shall be responsible for any transportation charges connected with the replacement of the motor. This warranty is offered one time per end user, per application. If there are additional failures, please follow our normal warranty policy.
2. Motors 324T and above must be inspected by an authorized EASA service center or other approved motor shop for determination of cause of failure. Authorized EASA service centers are available inside and outside of the United States. Visit the EASA website at www.easa.com to find the nearest authorized service center. These shops may also be able to assist with non-warranty service.
3. The service center must provide a written estimate for inspection and a purchase order must be issued by WorldWide Electric prior to the motor inspection.
4. After completion of the motor inspection, the service center must complete the WARRANTY REPAIR REPORT, attach detailed photographs of the failure and e-mail to WorldWide Electric for review.
5. If the failure is determined to be from a defect in material or workmanship when operated under normal conditions and in accordance with nameplate characteristic limits, WorldWide Electric shall either repair or replace the motor, at the company's discretion. WorldWide Electric shall not be liable for any labor or operating costs connected with the repair / replacement of the motor.
6. Should WorldWide Electric choose to repair the motor, the service center must provide a written estimate for repair and a purchase order must be issued by WorldWide Electric prior to the repair being performed.
7. Should WorldWide Electric choose to replace the motor, the purchaser shall be responsible for any transportation charges connected with the replacement of the motor.
8. All warranties, regardless of frame size / motor size will be subject to WorldWide Electric's final approval.

ALL IEEE-841, EXPLOSION PROOF AND VERTICAL HOLLOW SHAFT MOTORS:

1. Motors must be inspected by a UL certified / authorized EASA service center for determination of cause of failure. Authorized EASA service centers are available inside and outside of the United States. Visit the EASA website at www.easa.com to find the nearest authorized service center. These shops may also be able to assist with non-warranty service.
2. The service center must provide a written estimate for inspection and a purchase order must be issued by WorldWide Electric prior to the motor inspection.
3. After completion of the motor inspection, the service center must complete the WARRANTY REPAIR REPORT, attach detailed photographs of the failure and e-mail to WorldWide Electric for review.
4. If the failure is determined to be from a defect in material or workmanship when operated under normal conditions and in accordance with nameplate characteristic limits, WorldWide Electric shall either repair or replace the motor, at the company's discretion. WorldWide Electric shall not be liable for any labor or operating costs connected with the repair / replacement of the motor.
5. Should WorldWide Electric choose to repair the motor, the service center must provide a written estimate for repair and a purchase order must be issued by WorldWide Electric prior to the repair being performed.
6. Should WorldWide Electric choose to replace the motor, the purchaser shall be responsible for any transportation charges connected with the replacement of the motor.
7. All warranties, regardless of frame size / motor size will be subject to WorldWide Electric's final approval.



Freight Terms

Freight terms are as follows on all orders shipped from any of our warehouses. All products can be assorted from all three divisions; motors, controls and gearing.

\$5,000 +	Truck - Prepaid and Allowed
\$1,000 - \$4,999	Truck - 10% of Invoice - Prepaid and Add
\$0 - \$999	Truck - \$100 Minimum - Prepaid and Add

FedEx Ground will be utilized for shipments under 100 lbs. and billed on a prepaid and add basis (excluding cast iron motors and gear reducer products).

Special Freight Prepaid Programs

56-FRAME MOTORS	25 + Pieces Assorted - Prepaid and Allowed
SLIDE BASES	25 + Pieces Assorted - Prepaid and Allowed

Orders may be picked up from any of our warehouses as a will call. We would prefer a one-hour advance notification for orders to be picked up. However, allowances will be made for special rush and urgent situations.

Additional Freight Services

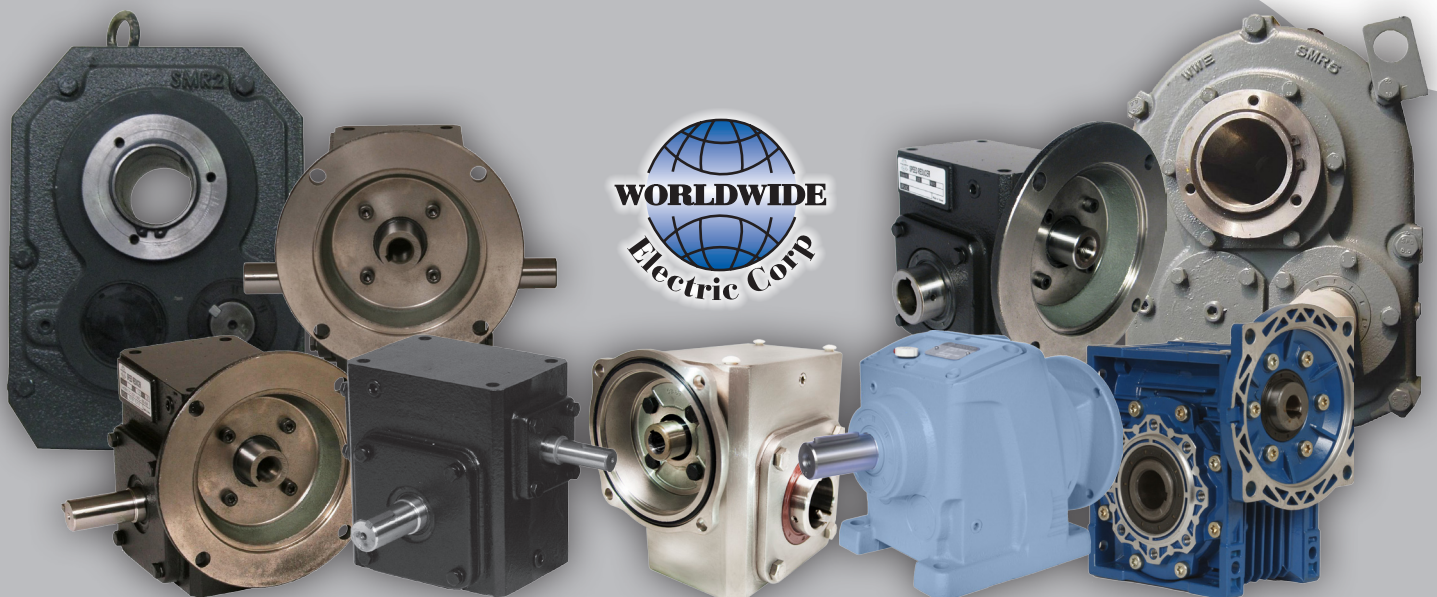
DELIVERY APPPOINTMENT	\$ 65.00
LIFTGATE DELIVERY	\$100.00
RESIDENTIAL DELIVERY	\$125.00
EXPEDITED DELIVERY	Please Call For Quote

ADDITIONAL PRODUCTS FROM WORLDWIDE ELECTRIC

CONTROLS ■ GEAR REDUCERS



Motor Controls | Chassis and Enclosed Variable Frequency Drives | Soft Starters | Across-Line Starters | Contactors
Overload Relays | Pressure Switches | Alternator Relays | Drum Controllers | Safety Switches | Pilot Devices



Gear Reducers | "Original" Shaft Mount Reducers | "Ultimate" Shaft Mount Reducers | Cast Iron Worm Gear Reducers
Aluminum Worm Gear Speed Reducers | Stainless Steel Worm Gear Speed Reducers | Inline Helical Speed Reducers | Gearmotors



WorldWide Electric Corporation

3540 Winton Place, Rochester, NY 14623

Phone: 1- 800-808-2131 ▪ Fax: 1- 800-711-1616

Source Code:

CAT003MDWAE0317

