

# ENGINEERING CATALOG VOL 10

TYPE E TAPERED ROLLER BEARINGS | M2000 SPHERICAL ROLLER BEARINGS  
M3000 EVEN-LOK™ SPHERICAL ROLLER BEARINGS  
MOUNTED BALL BEARINGS | TAPERED BUSHINGS | QD BUSHINGS  
WELD-ON HUBS | PULLEYS | SHAFT COLLARS



**MOLINE BEARING CO.**

Post Office Box 99, Batavia, Illinois 60510, USA  
630.584.4600, 800.242.4633, 630.584.1999 fax  
[www.molinebearing.com](http://www.molinebearing.com)

TEL # **800.242.4633**



**What is important to you is important to us.** Solid products, expert technical support and friendly, responsive service are our top priorities.

**We work closely with our warehouses to be sure you get what you need when you need it.** Moline specializes in Type E Tapered Roller Bearings, M2000 and M3000 Spherical Roller Bearings, and normal duty mounted ball bearings. Our Midwest factory, five U.S. warehouses and 48 sales reps take care of over 3,000 independent distributors nationwide

**We use our technical expertise in metallurgy to engineer custom products that last.** Custom machining, painting and plating are available for all products in our lines

**We are ready and willing to serve you.** Give us a call toll-free today at 800.242.4633.


David Fauntleroy, President, Moline Bearing Co.



**MOLINE BEARING CO.**







Unlike my competitors, I don't believe it is enough to have a high quality product. Today it is all about taking care of the customer and that's exactly what Moline does.

**David Fauntleroy, Owner, Moline Bearing, Co.**



The entire Moline team is helpful,  
quick to respond and always friendly.

**Jim Geary, Carl Sokol, Craig Stark, Owners, Allied Bearing Corp.  
Scott Paulan, Moline Midwestern Sales (front)**




MOLINE

MOLINE

CAUTION  
STAY CLEAR OF  
SPROCKETS, FOR...






We have been machining Moline castings since the 1960's, and we know Moline requires nothing but quality. Their friendliness and intelligence makes us proud to be associated with them.

**Jim and Tony Thryselius, Thryselius Machine Company, Elburn, Illinois**









Moline bearings are made in America.  
Cast in Illinois, Iowa and Wisconsin.  
Machined in Elburn, Illinois. Assembled  
in Batavia, Illinois.

**Thryselius Machine Company, Elburn, Illinois**

# CONTENTS

<b>Type E Tapered Roller Bearings</b> . . . . .	<b>12</b>
Introduction . . . . .	14
Type E 2-Bolt Pillow Block . . . . .	18
Type E 4-Bolt Pillow Block . . . . .	20
Type E 4-Bolt Flange . . . . .	24
Type E Piloted Flange . . . . .	28
Type E Wide Slot Take-up . . . . .	30
Type E Application Guide . . . . .	32
Type E Radial Load Ratings . . . . .	36
Type E Interchange . . . . .	40
<b>M2000 Spherical Roller Bearings</b> . . . . .	<b>42</b>
Introduction . . . . .	44
M2000 2-Bolt Pillow Block . . . . .	48
M2000 4-Bolt Pillow Block . . . . .	50
M2000 4-Bolt Flange . . . . .	52
M2000 Piloted Flange Cartridge . . . . .	54
M2000 Wide Slot Take-up . . . . .	56
M2000 Application Guide . . . . .	58
M2000 Radial Load Ratings . . . . .	62
M2000 Interchange . . . . .	64
<b>M3000 Even-Lok™ Spherical Roller Bearings</b> . . . . .	<b>66</b>
Introduction . . . . .	68
M3000 Even-Lok™ 2-Bolt Pillow Block . . . . .	72
M3000 Even-Lok™ 4-Bolt Pillow Block . . . . .	74
M3000 Even-Lok™ 4-Bolt Flange . . . . .	76
M3000 Even-Lok™ Piloted Flange Cartridge . . . . .	78
M3000 Even-Lok™ Wide Slot Take-up . . . . .	80
M3000 Even-Lok™ Application Guide . . . . .	82
M3000 Even-Lok™ Radial Load Ratings . . . . .	86
M3000 Even-Lok™ Interchange . . . . .	87
<b>Mounted Ball Bearings</b> . . . . .	<b>88</b>
Introduction . . . . .	90
Mounted Ball Bearing 2-Bolt Pillow Block – UCP 200 Series . . . . .	92
Mounted Ball Bearing 2-Bolt Flange – UCFL 200 Series . . . . .	96
Mounted Ball Bearing Square Flange – UCF 200 Series . . . . .	98
Mounted Ball Bearing Piloted Flange – UCFC 200 Series . . . . .	100
Mounted Ball Bearing Wide Slot Take-up – UCT 200 Series . . . . .	104
Mounted Ball Bearing Insert UC 200 Series . . . . .	108
Mounted Ball Bearing 2-Bolt Pillow Block – HCP 200 Series . . . . .	110
Mounted Ball Bearing 2-Bolt Flange – HCFL 200 Series . . . . .	112
Mounted Ball Bearing Piloted Flange – HCFC 200 Series . . . . .	116





Mounted Ball Bearing Wide Slot Take-up – HCT 200 Series . . . . .	120
Mounted Ball Bearing HC 200 Series Insert . . . . .	124
Mounted Ball Bearing Application Guide . . . . .	126
Mounted Ball Bearing Radial Load Ratings . . . . .	128
Mounted Ball Bearing Interchange . . . . .	129
<b>Shaft Collars . . . . .</b>	<b>130</b>
Solid Zinc Plated and Stainless Shaft Collars . . . . .	132
Black Oxide Single/Double Split Shaft Collars . . . . .	134
Stainless Steel Single/Double Split Shaft Collars . . . . .	136
<b>Pulleys . . . . .</b>	<b>138</b>
AK - Light Duty Pulleys – Bored to Size. . . . .	140
2AK - Light Duty Pulleys – Bored to Size. . . . .	142
AKD - Light Duty Pulleys – Bushed. . . . .	144
2AKD - Light Duty Pulleys – Bushed. . . . .	146
D Bushings . . . . .	147
BK - Light Duty Pulleys – Bored to Size. . . . .	148
2BK - Light Duty Pulleys – Bored to Size. . . . .	150
BKD - Light Duty Pulleys – Bushed. . . . .	152
2BKD - Light Duty Pulleys – Bushed. . . . .	154
A-B Combination Pulley – QD Style, 1-Groove. . . . .	156
A-B Combination Pulley – QD Style, 2-Groove. . . . .	158
A-B Combination Pulley – QD Style, 3-Groove. . . . .	160
A-B Combination Pulley – QD Style, 4-Groove. . . . .	162
Pulley Application Guide . . . . .	164
<b>QD and Tapered Bushings . . . . .</b>	<b>166</b>
QD Bushing Application Guide . . . . .	168
QD Bushing Dimensions . . . . .	169
QD Bushing Stock Bores and Keyways . . . . .	170
Tapered Bushings #1008 to 3030 . . . . .	172
Tapered Bushings #3535 to 5050 . . . . .	178
<b>Weld-On Hubs . . . . .</b>	<b>182</b>
Type S – Tapered Weld-On Hubs . . . . .	184
Type W – Tapered Weld-On Hubs . . . . .	185
QD Weld-On Hubs . . . . .	186
<b>Master Interchange and Nomenclature . . . . .</b>	<b>188</b>
Nomenclature . . . . .	190
Component Interchange. . . . .	192
Master Interchange . . . . .	218
Terms and Conditions of Sale . . . . .	221



Post Office Box 99, Batavia, Illinois 60510, USA  
630.584.4600, 800.242.4633, 630.584.1999 fax  
www.molinebearing.com, sales@molinebearing.com

**MOLINE BEARING C<sup>o</sup>**

TEL # **800.242.4633**



# **TYPE E TAPERED ROLLER BEARINGS**

**Moline Type E Tapered Roller Bearings offer many advantages including high-speed suitability, positive locking to the shaft, ruggedness, and low price.**

The housings are as compact as possible without sacrificing their brawny ruggedness. Made in the USA of high quality Class 30 cast iron, they are precision machined to close tolerances.

On each end of the inner race there is a Drive Collar with two headless set screws spaced 120° apart. These extend through clearance holes in the inner race, locking it to the shaft.

Moline uses only genuine Timken® Tapered Roller Bearings. They are made from vacuum degassed steel which gives rollers and races added life, and provides superior load and speed characteristics. A long inner race insures load distribution over a considerable length of shaft. In addition, the arrangements of Timken rollers and races is such that Moline Type E Mounted Bearings will handle slight angular shaft misalignment. These bearings also have high radial and thrust load capacities, and are capable of handling most combinations of loads found in all normal applications.

Moline Type E Pillow Blocks, Flange Bearings, Piloted Flange Bearings, and Wide Slot Take-ups are ready to slip onto the shaft when received, because they are completely assembled, adjusted, sealed and pre-lubricated at the factory. There is no danger of bearing failure resulting from dirt or dust entering the bearing before

or during installation. Such contamination is very difficult to prevent in bearings that are not shaft ready. No time or expense is required for cleaning housings, for adjusting, or for initial lubrication.

Therefore, overall installed cost is less in many instances. Operating expense over time is also generally less.

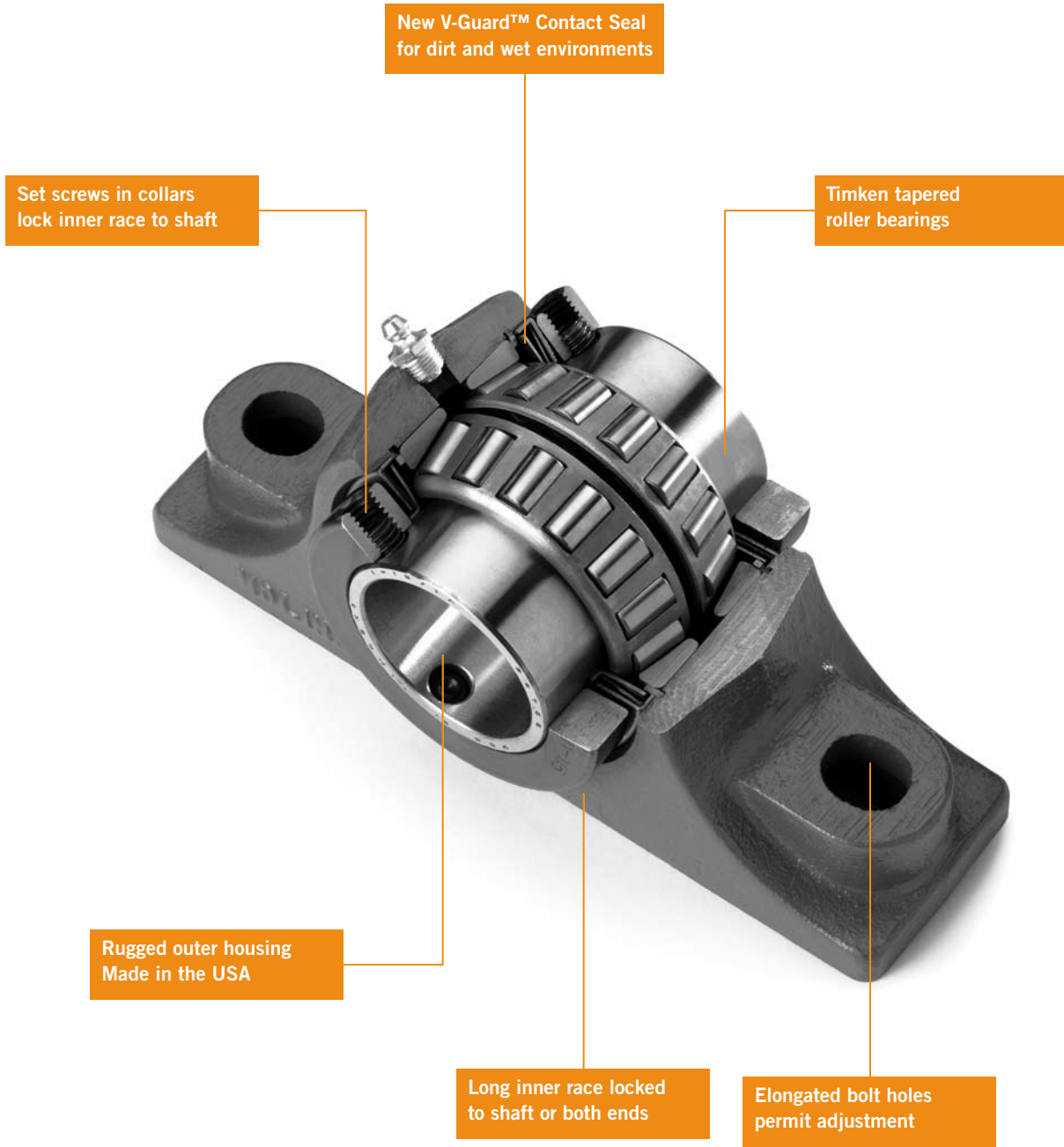
The new V-Guard™ contact seal, which is built in at each end of the bearing during factory assembly, effectively seals against loss of lubricant and admission of dust and dirt, both on and off the shaft. Efficiency of the seal is consistent throughout the allowable range of self-alignment.

Bore tolerance is  $+.001"/-.000"$  for 3" and smaller bores;  $+.002"/-.000"$  for bores larger than 3".

Moline Mounted Type E bearings are available in shaft sizes from  $1\frac{3}{16}"$  to 7" and 35 to 170mm in Pillow Blocks,  $1\frac{3}{16}"$  to  $4\frac{1}{2}"$  and 35 to 115mm in 4-Bolt Flanges,  $1\frac{3}{4}"$  to 5" and 45 to 125mm in Piloted Flanges, and  $1\frac{3}{4}"$  to  $3\frac{1}{2}"$  and 45 to 90mm in Wide Slot Take-ups.

The housings are available in the standard painted finish. Nickel plating, Epoxy and Teflon coatings will be quoted on request. Special machining is also available.

Moline Type E bearings are carried in warehouse and distributor stocks all over the United States and in Canada.



## FEATURES OF MOLINE TYPE E TAPERED ROLLER BEARINGS

### WITH TIMKEN® TAPERED ROLLER BEARINGS

- Available in shaft sizes from 1 $\frac{3}{16}$ " to 7", and 35mm to 170mm
- Easy installation and maintenance
- Supplied from the factory in shaft ready condition
- Assembled, adjusted and pre-lubricated in advance for immediate use
- Dimensionally interchangeable with comparable competitive Type E units
- Tapered roller bearings with double-extended inner race
- Extended inner race has two locking collars
- Available with standard V-Guard™ Nitrile and Teflon Contact Seal or Balanced Labyrinth Seal
- Case hardened rollers and races
- 120° set screw spacing on locking collars
- Timken® tapered roller bearing inserts allow for a combination of radial and thrust loads
- Misalignment = .010" per foot of shaft or +/- 1°
- Excellent thrust load capacity
- Close fit oversized collars act as flingers for additional protection in dusty or damp environments
- Rugged housings are made in the USA of Class 30 cast iron
- Standard grease operating temperature is up to 250°
- High temperature grease is available up to 350°
- For custom lubrication, please call the factory for more information
- Housings available in the standard painted finish. Nickel-plating, Epoxy, Teflon and other coatings are available upon request
- Custom machining and design is available. Please call the factory for further information
- Made in the United States

Standard V-Guard™ Contact Seal made of Nitrile, Teflon and Steel for extreme dirt and wet environments.



Balanced Metal Labyrinth Seal for high speed applications

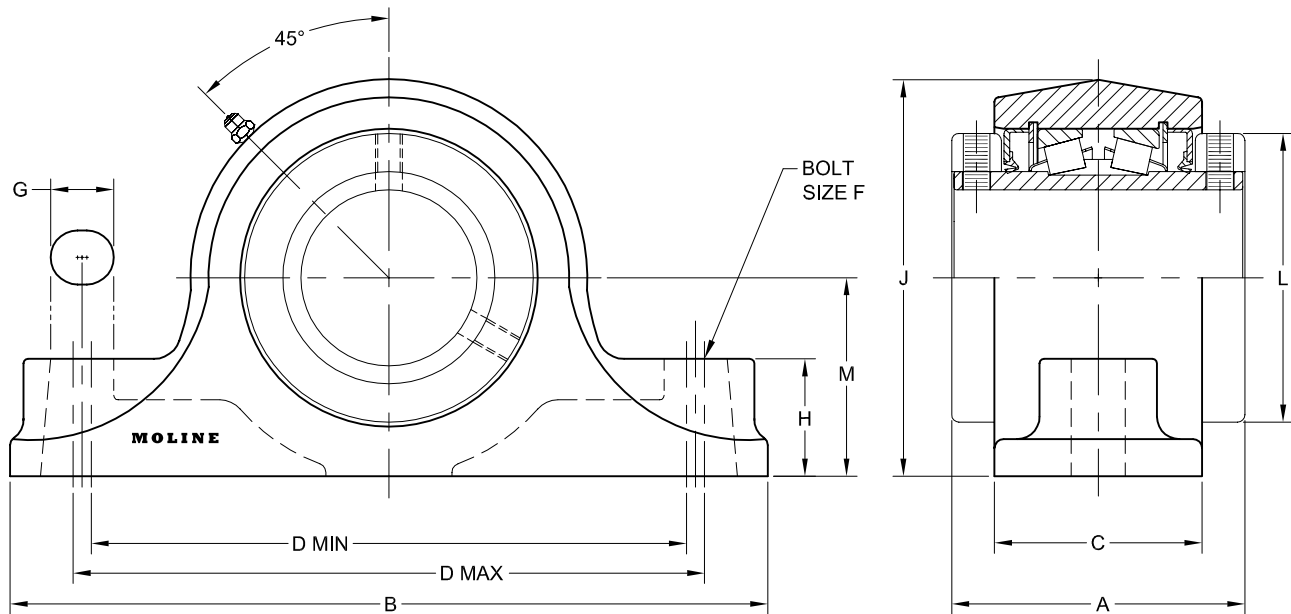


**TYPE E 2-BOLT PILLOW BLOCK**

SHAFT SIZE	MOLINE PART #	DIMENSIONS (INCHES)												WEIGHT LBS.
		A	B	C	MIN D	CENTER TO CENTER D	MAX D	F	G	H	J	L	M	
1 3/16 1 1/4	19321103 19321104	2 3/4	6	1 7/8	4 5/8	4 3/4	4 7/8	3/8	1 9/32	7/8	3	2 1/4	1 1/2	4
1 3/8 1 7/16 35 mm	19321106 19321107 19321035	3	7 3/8	2 1/8	5 5/8	5 3/4	5 7/8	1/2	3/4	1 1/8	3 3/4	2 3/4	1 7/8	6.9
1 1/2 1 5/8 1 11/16 40 mm	19321108 19321110 19321111 19321040	3 3/8	7 7/8	2 3/8	6 1/8	6 1/4	6 3/8	1/2	3/4	1 1/4	4 1/4	3 3/16	2 1/8	9.5
1 3/4 1 7/8 1 15/16 2 45 mm 50 mm	19321112 19321114 19321115 19321200 19321045 19321050	3 1/2	8 7/8	2 1/2	6 7/8	7	7 1/8	5/8	7/8	1 5/16	4 1/2	3 3/8	2 1/4	11
2 3/16 55 mm	19321203 19321055	3 3/4	9 5/8	2 5/8	7 5/8	7 3/4	7 7/8	5/8	7/8	1 1/2	5	3 3/4	2 1/2	14
2 1/4 2 7/16 2 1/2 60 mm 65 mm	19321204 19321207 19321208 19321060 19321065	4	10 1/2	2 7/8	8 3/8	8 1/2	8 5/8	5/8	7/8	1 5/8	5 1/2	4	2 3/4	19
2 11/16 2 3/4 2 15/16 3 70 mm 75 mm	19321211 19321212 19321215 19321300 19321070 19321075	4 1/2	12	3	9 5/16	9 1/2	9 11/16	3/4	1	1 7/8	6 1/4	4 11/16	3 1/8	26
3 3/16 3 1/4 3 7/16 3 1/2 80 mm 85 mm 90 mm	19321303 19321304 19321307 19321308 19321080 19321085 19321090	5	14	3 5/8	10 3/16	11	11 3/16	7/8	1 3/16	2 1/4	7 1/2	5 15/16	3 3/4	44





**TYPE E 2-BOLT PILLOW BLOCK**

For personal service and special requests, please call us at 800.242.4633.

CAD drawings available upon request at no additional charge.

**Furnished in non-expansion type only.**

**For nomenclature see pages 190 and 191.**



**MOLINE BEARING CO.**

Post Office Box 99, Batavia, Illinois 60510, USA  
630.584.4600, 800.242.4633, 630.584.1999 fax  
www.molinebearing.com, sales@molinebearing.com

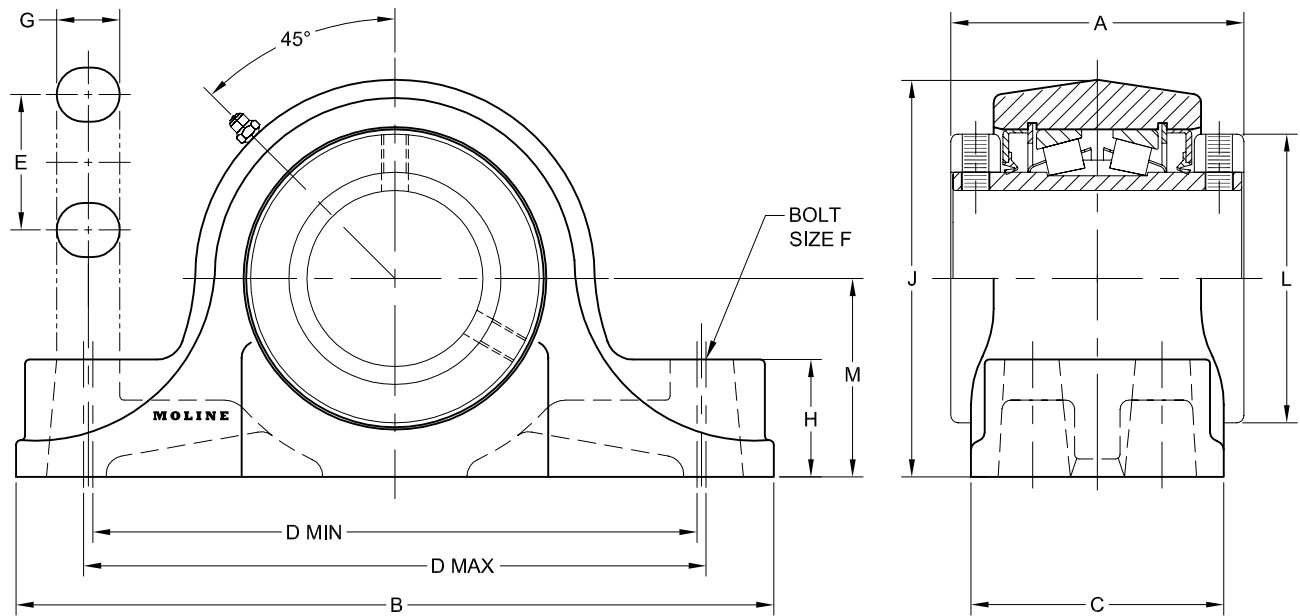
TEL # **800.242.4633**

19

**TYPE E 4-BOLT PILLOW BLOCK**

SHAFT SIZE	MOLINE PART #	DIMENSIONS (INCHES)													WEIGHT LBS.
		A	B	C	MIN D	CENTER TO CENTER D	MAX D	E	F	G	H	J	L	M	
2 ¼ 2 7/16 2 ½ 60mm 65mm	19341204 19341207 19341208 19341060 19341065	4	10 ½	3 ½	8 5/16	8 ½	8 11/16	1 7/8	5/8	7/8	1 5/8	5 ½	4	2 ¾	19
2 11/16 2 ¾ 2 15/16 3 70mm 75mm	19341211 19341212 19341215 19341300 19341070 19341075	4 ½	12	4	9 3/16	9 ½	9 13/16	2 1/8	5/8	7/8	1 7/8	6 ¼	4 11/16	3 ½	26
3 3/16 3 ¼ 3 7/16 3 ½ 80mm 85mm 90mm	19341303 19341304 19341307 19341308 19341080 19341085 19341090	5	14	4 ½	10 ¾	11	11 ¼	2 3/8	¾	1 3/16	2 ¼	7 ½	5 5/16	3 ¾	44
3 15/16 4 100mm	19341315 19341400 19341100	6 ¼	15 ¼	4 ½	12 ¼	12 ½	12 ¾	2 ¼	¾	1 1/8	2 7/16	8 ½	5 ¾	4 ¼	65



**TYPE E 4-BOLT PILLOW BLOCK**

For personal service and special requests, please call us at 800.242.4633.

CAD drawings available upon request at no additional charge.

**Furnished in non-expansion type only.**

For nomenclature see pages 190 and 191.



**MOLINE BEARING CO.**

Post Office Box 99, Batavia, Illinois 60510, USA  
630.584.4600, 800.242.4633, 630.584.1999 fax  
www.molinebearing.com, sales@molinebearing.com

TEL # **800.242.4633**

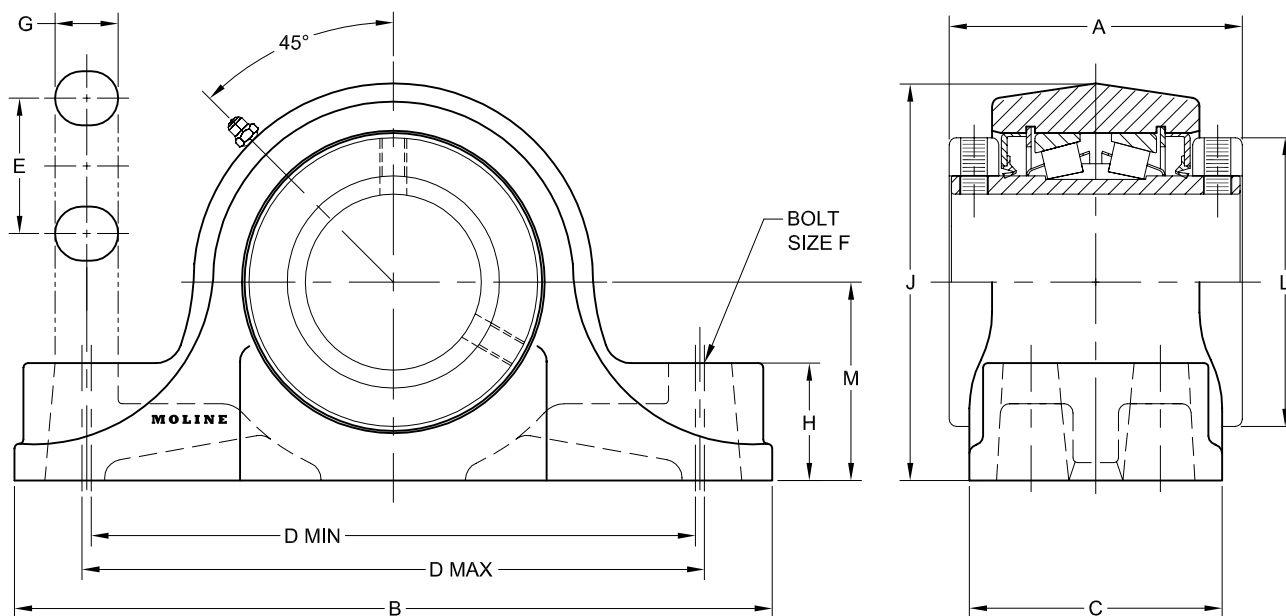
21

**TYPE E 4-BOLT PILLOW BLOCK CONTINUED**

SHAFT SIZE	MOLINE PART #	DIMENSIONS (INCHES)													WEIGHT LBS.
		A	B	C	MIN D	CENTER TO CENTER D	MAX D	E	F	G	H	J	L	M	
4 <sup>7</sup> / <sub>16</sub> 4 <sup>1</sup> / <sub>2</sub> 110mm 115mm	19341407 19341408 19341110 19341115	6 <sup>3</sup> / <sub>4</sub>	16 <sup>5</sup> / <sub>8</sub>	4 <sup>5</sup> / <sub>8</sub>	13 <sup>1</sup> / <sub>4</sub>	13 <sup>1</sup> / <sub>2</sub>	13 <sup>3</sup> / <sub>4</sub>	2 <sup>1</sup> / <sub>2</sub>	<sup>3</sup> / <sub>4</sub>	1 <sup>1</sup> / <sub>8</sub>	2 <sup>3</sup> / <sub>4</sub>	9 <sup>3</sup> / <sub>8</sub>	6 <sup>1</sup> / <sub>4</sub>	4 <sup>3</sup> / <sub>4</sub>	81
4 <sup>15</sup> / <sub>16</sub> 5 125mm	19341415 19341500 19341125	7 <sup>1</sup> / <sub>4</sub>	18 <sup>1</sup> / <sub>2</sub>	5 <sup>1</sup> / <sub>8</sub>	15 <sup>1</sup> / <sub>4</sub>	15 <sup>1</sup> / <sub>2</sub>	15 <sup>3</sup> / <sub>4</sub>	2 <sup>7</sup> / <sub>8</sub>	<sup>7</sup> / <sub>8</sub>	1 <sup>1</sup> / <sub>4</sub>	3	10 <sup>7</sup> / <sub>8</sub>	7 <sup>1</sup> / <sub>4</sub>	5 <sup>1</sup> / <sub>2</sub>	132
5 <sup>7</sup> / <sub>16</sub> 5 <sup>15</sup> / <sub>16</sub> 6 130mm 135mm 140mm	19341507 19341515 19341600 19341130 19341135 19341140	9	22	6 <sup>1</sup> / <sub>4</sub>	17 <sup>3</sup> / <sub>8</sub>	18 <sup>1</sup> / <sub>4</sub>	19 <sup>1</sup> / <sub>8</sub>	3 <sup>3</sup> / <sub>4</sub>	1	2	3 <sup>1</sup> / <sub>4</sub>	13 <sup>3</sup> / <sub>16</sub>	9 <sup>3</sup> / <sub>8</sub>	6 <sup>11</sup> / <sub>16</sub>	243
6 <sup>7</sup> / <sub>16</sub> 6 <sup>1</sup> / <sub>2</sub> 6 <sup>15</sup> / <sub>16</sub> 7 160mm 170mm	19341607 19341608 19341615 19341700 19341160 19341170	10 <sup>1</sup> / <sub>2</sub>	26	7 <sup>1</sup> / <sub>8</sub>	21 <sup>1</sup> / <sub>4</sub>	22 <sup>1</sup> / <sub>4</sub>	23 <sup>1</sup> / <sub>4</sub>	4 <sup>5</sup> / <sub>8</sub>	1	2 <sup>1</sup> / <sub>8</sub>	3 <sup>11</sup> / <sub>16</sub>	15	10 <sup>7</sup> / <sub>8</sub>	7 <sup>1</sup> / <sub>2</sub>	355



## TYPE E 4-BOLT PILLOW BLOCK CONTINUED



For personal service and special requests, please call us at 800.242.4633.

CAD drawings available upon request at no additional charge.

**Furnished in non-expansion type only.**

**For nomenclature see pages 190 and 191.**



**MOLINE BEARING CO.**

Post Office Box 99, Batavia, Illinois 60510, USA  
630.584.4600, 800.242.4633, 630.584.1999 fax  
www.molinebearing.com, sales@molinebearing.com

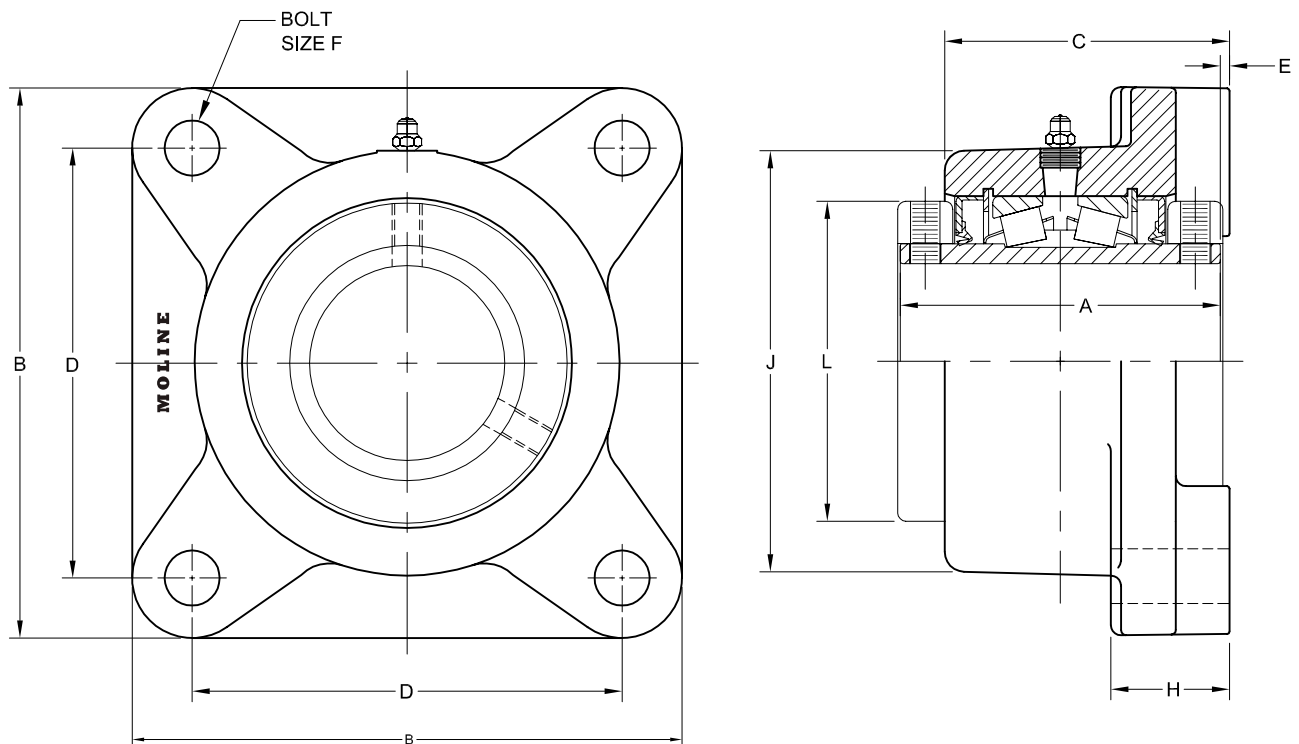
TEL # **800.242.4633**

23

**TYPE E 4-BOLT FLANGE**

SHAFT SIZE	MOLINE PART #	DIMENSIONS (INCHES)									WEIGHT LBS.
		A	B	C	D	E	F	H	J	L	
1 <sup>3</sup> / <sub>16</sub> 1 <sup>1</sup> / <sub>4</sub>	19311103 19311104	2 <sup>3</sup> / <sub>4</sub>	3 <sup>3</sup> / <sub>4</sub>	2 <sup>1</sup> / <sub>16</sub>	2 <sup>7</sup> / <sub>8</sub>	<sup>1</sup> / <sub>16</sub>	<sup>3</sup> / <sub>8</sub>	1	2 <sup>15</sup> / <sub>16</sub>	2 <sup>1</sup> / <sub>4</sub>	4.5
1 <sup>3</sup> / <sub>8</sub> 1 <sup>7</sup> / <sub>16</sub> 35mm	19311106 19311107 19311035	3	4 <sup>5</sup> / <sub>8</sub>	2 <sup>19</sup> / <sub>32</sub>	3 <sup>1</sup> / <sub>2</sub>	<sup>1</sup> / <sub>16</sub>	<sup>1</sup> / <sub>2</sub>	1 <sup>1</sup> / <sub>16</sub>	3 <sup>1</sup> / <sub>2</sub>	2 <sup>3</sup> / <sub>4</sub>	6.7
1 <sup>1</sup> / <sub>2</sub> 1 <sup>5</sup> / <sub>8</sub> 1 <sup>11</sup> / <sub>16</sub> 40mm	19311108 19311110 19311111 19311040	3 <sup>3</sup> / <sub>8</sub>	5 <sup>3</sup> / <sub>8</sub>	2 <sup>31</sup> / <sub>32</sub>	4 <sup>1</sup> / <sub>8</sub>	<sup>1</sup> / <sub>8</sub>	<sup>1</sup> / <sub>2</sub>	1 <sup>3</sup> / <sub>16</sub>	4 <sup>3</sup> / <sub>16</sub>	3 <sup>1</sup> / <sub>8</sub>	10
1 <sup>3</sup> / <sub>4</sub> 1 <sup>7</sup> / <sub>8</sub> 1 <sup>15</sup> / <sub>16</sub> 2 45mm 50mm	19311112 19311114 19311115 19311200 19311045 19311050	3 <sup>1</sup> / <sub>2</sub>	5 <sup>5</sup> / <sub>8</sub>	3 <sup>3</sup> / <sub>32</sub>	4 <sup>3</sup> / <sub>8</sub>	<sup>1</sup> / <sub>8</sub>	<sup>1</sup> / <sub>2</sub>	1 <sup>3</sup> / <sub>16</sub>	4 <sup>7</sup> / <sub>16</sub>	3 <sup>3</sup> / <sub>8</sub>	12
2 <sup>3</sup> / <sub>16</sub> 55mm	19311203 19311055	3 <sup>3</sup> / <sub>4</sub>	6 <sup>1</sup> / <sub>4</sub>	3 <sup>9</sup> / <sub>32</sub>	4 <sup>7</sup> / <sub>8</sub>	<sup>1</sup> / <sub>8</sub>	<sup>5</sup> / <sub>8</sub>	1 <sup>3</sup> / <sub>8</sub>	4 <sup>7</sup> / <sub>8</sub>	3 <sup>3</sup> / <sub>4</sub>	16
2 <sup>1</sup> / <sub>4</sub> 2 <sup>7</sup> / <sub>16</sub> 2 <sup>1</sup> / <sub>2</sub> 60mm 65mm	19311204 19311207 19311208 19311060 19311065	4	6 <sup>7</sup> / <sub>8</sub>	3 <sup>9</sup> / <sub>16</sub>	5 <sup>3</sup> / <sub>8</sub>	<sup>3</sup> / <sub>16</sub>	<sup>5</sup> / <sub>8</sub>	1 <sup>1</sup> / <sub>2</sub>	5 <sup>5</sup> / <sub>16</sub>	4	21



**TYPE E 4-BOLT FLANGE**

For personal service and special requests, please call us at 800.242.4633.  
CAD drawings available upon request at no additional charge.

**Furnished in non-expansion type only.**

For nomenclature see pages 190 and 191.



**MOLINE BEARING CO.**

Post Office Box 99, Batavia, Illinois 60510, USA  
630.584.4600, 800.242.4633, 630.584.1999 fax  
www.molinebearing.com, sales@molinebearing.com

TEL # **800.242.4633**

25

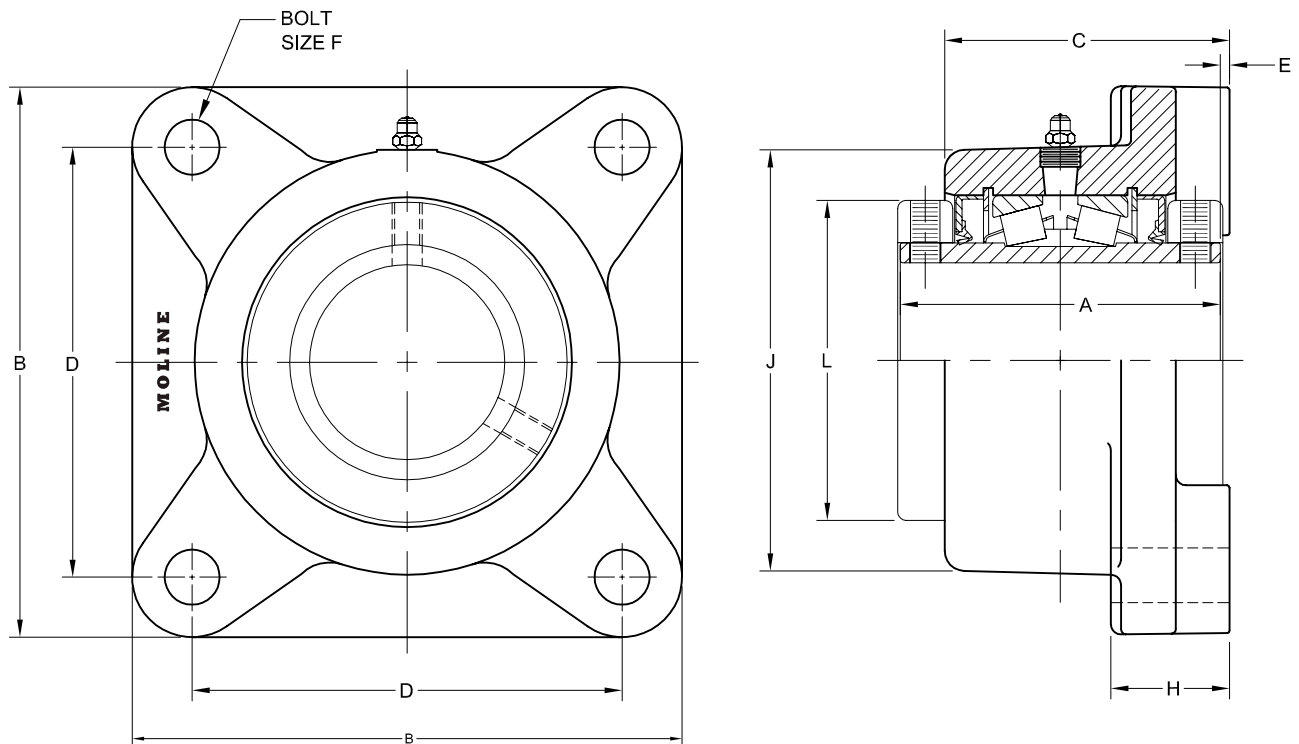
**TYPE E 4-BOLT FLANGE CONTINUED**

SHAFT SIZE	MOLINE PART #	DIMENSIONS (INCHES)									WEIGHT LBS.
		A	B	C	D	E	F	H	J	L	
2 <sup>11</sup> / <sub>16</sub> 2 <sup>3</sup> / <sub>4</sub> 2 <sup>15</sup> / <sub>16</sub> 3 70mm 75mm	19311211 19311212 19311215 19311300 19311070 19311075	4 <sup>1</sup> / <sub>2</sub>	7 <sup>3</sup> / <sub>4</sub>	3 <sup>15</sup> / <sub>16</sub>	6	<sup>3</sup> / <sub>16</sub>	<sup>3</sup> / <sub>4</sub>	1 <sup>5</sup> / <sub>8</sub>	6	4 <sup>11</sup> / <sub>16</sub>	28
3 <sup>3</sup> / <sub>16</sub> 3 <sup>1</sup> / <sub>4</sub> 3 <sup>7</sup> / <sub>16</sub> 3 <sup>1</sup> / <sub>2</sub> 80mm 85mm 90mm	19311303 19311304 19311307 19311308 19311080 19311085 19311090	5	9 <sup>1</sup> / <sub>4</sub>	4 <sup>1</sup> / <sub>2</sub>	7	<sup>1</sup> / <sub>4</sub>	<sup>3</sup> / <sub>4</sub>	1 <sup>7</sup> / <sub>8</sub>	7 <sup>1</sup> / <sub>4</sub>	5 <sup>5</sup> / <sub>16</sub>	46
3 <sup>15</sup> / <sub>16</sub> 4 100mm	19311315 19311400 19311100	6 <sup>1</sup> / <sub>4</sub>	10 <sup>1</sup> / <sub>4</sub>	5 <sup>5</sup> / <sub>8</sub>	7 <sup>3</sup> / <sub>4</sub>	<sup>1</sup> / <sub>4</sub>	<sup>7</sup> / <sub>8</sub>	2 <sup>1</sup> / <sub>8</sub>	8 <sup>1</sup> / <sub>4</sub>	5 <sup>3</sup> / <sub>4</sub>	74
4 <sup>7</sup> / <sub>16</sub> 4 <sup>1</sup> / <sub>2</sub> 110mm 115mm	19311407 19311408 19311110M 19311115M	6 <sup>3</sup> / <sub>4</sub>	10 <sup>7</sup> / <sub>8</sub>	5 <sup>15</sup> / <sub>16</sub>	8 <sup>3</sup> / <sub>4</sub>	<sup>11</sup> / <sub>32</sub>	<sup>7</sup> / <sub>8</sub>	2 <sup>7</sup> / <sub>16</sub>	8 <sup>3</sup> / <sub>4</sub>	6 <sup>1</sup> / <sub>4</sub>	96





## TYPE E 4-BOLT FLANGE CONTINUED



For personal service and special requests, please call us at 800.242.4633.

CAD drawings available upon request at no additional charge.

**Furnished in non-expansion type only.**

For nomenclature see pages 190 and 191.



**MOLINE BEARING CO.**

Post Office Box 99, Batavia, Illinois 60510, USA  
630.584.4600, 800.242.4633, 630.584.1999 fax  
www.molinebearing.com, sales@molinebearing.com

TEL # **800.242.4633**

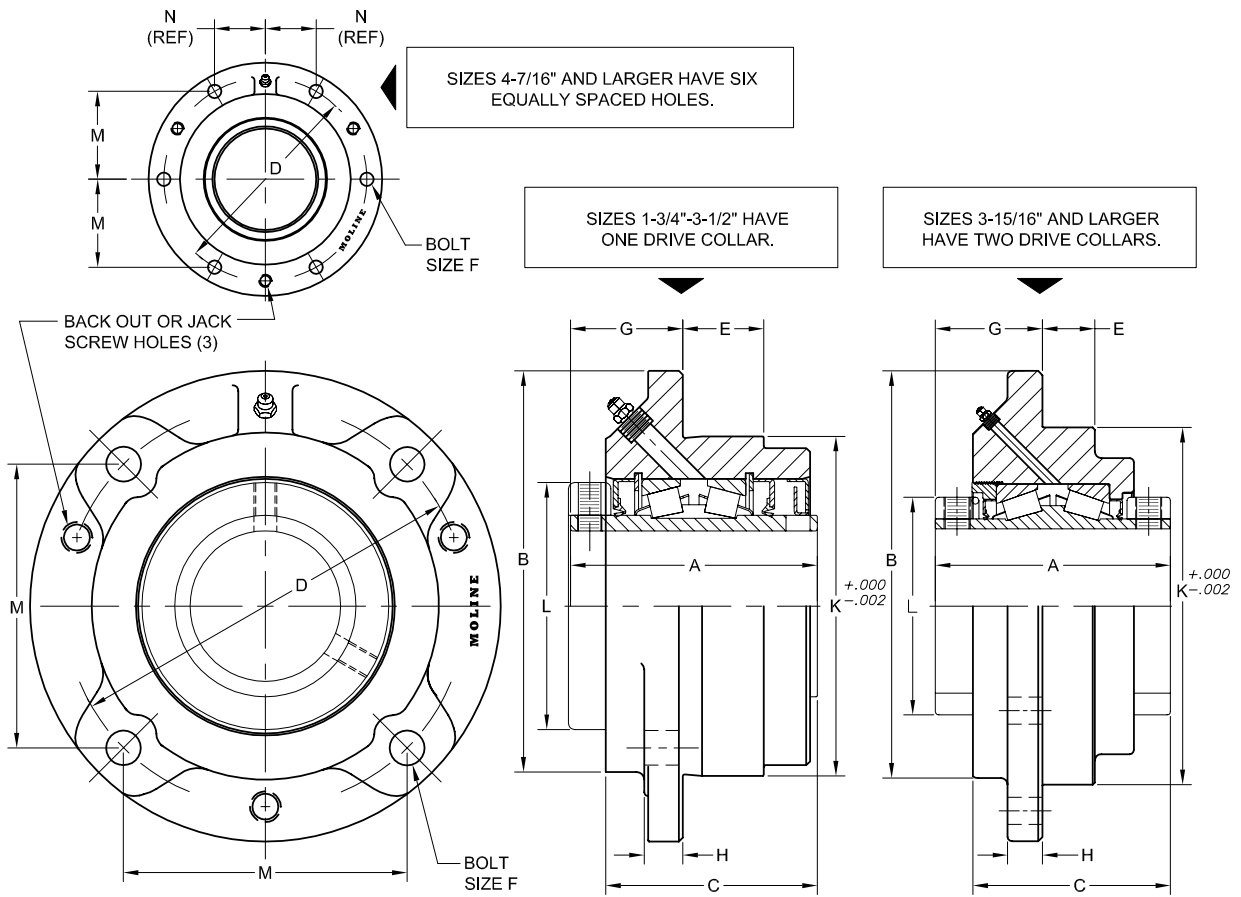
27

**TYPE E PILOTED FLANGE**

SHAFT SIZE	MOLINE PART #	DIMENSIONS (INCHES)												WEIGHT LBS.
		A	B	C	D	E	F	G	H	K	L	M	N	
1 3/4 1 7/8 1 15/16 2 45mm 50mm	19331112 19331114 19331115 19331200 19331045 19331050	3 1/2	6 3/8	2 29/32	5 3/8	1 3/16	7/16	1 9/16	9/16	4 1/2	3 3/8	3.80	N/A	9.4
2 3/16 55mm	19331203 19331055	3 3/4	7 1/8	3 3/32	6	1 3/16	1/2	1 11/16	9/16	5	3 3/4	4.24	N/A	12
2 1/4 2 7/16 2 1/2 60mm 65mm	19331204 19331207 19331208 19331060 19331065	4	7 5/8	3 5/16	6 1/2	1 5/16	1/2	1 13/16	5/8	5 1/2	4	4.60	N/A	16
2 11/16 2 3/4 2 15/16 3 70mm 75mm	19331211 19331212 19331215 19331300 19331070 19331075	4 1/2	8 3/4	3 11/16	7 1/2	1 1/2	5/8	2	3/4	6 3/8	4 11/16	5.30	N/A	24
3 3/16 3 1/4 3 7/16 3 1/2 80mm 85mm 90mm	19331303 19331304 19331307 19331308 19331080 19331085 19331090	5	10 1/4	4 3/16	8 5/8	1 1/4	3/4	2 7/16	7/8	7 3/8	5 5/16	6.10	N/A	44
3 15/16 4 100mm	19331315 19331400 19331100	6 1/4	10 7/8	4 1/2	9 3/8	1 1/2	3/4	2 11/16	15/16	8 1/8	5 3/4	6.63	N/A	58
4 7/16 4 1/2 110mm 115mm	19331407 19331408 19331110 19331115M	6 3/4	13 1/2	4 5/8	11 3/4	1 1/2	3/4	3 1/32	1	10 1/4	6 1/4	5.09	2.94	93
4 15/16 5 125mm	19331415 19331500 19331125	7 1/4	14 3/4	5 1/16	12 3/4	1 3/4	7/8	2 31/32	1 1/4	11	7 1/4	5.52	3.19	122



**TYPE E PILOTED FLANGE**

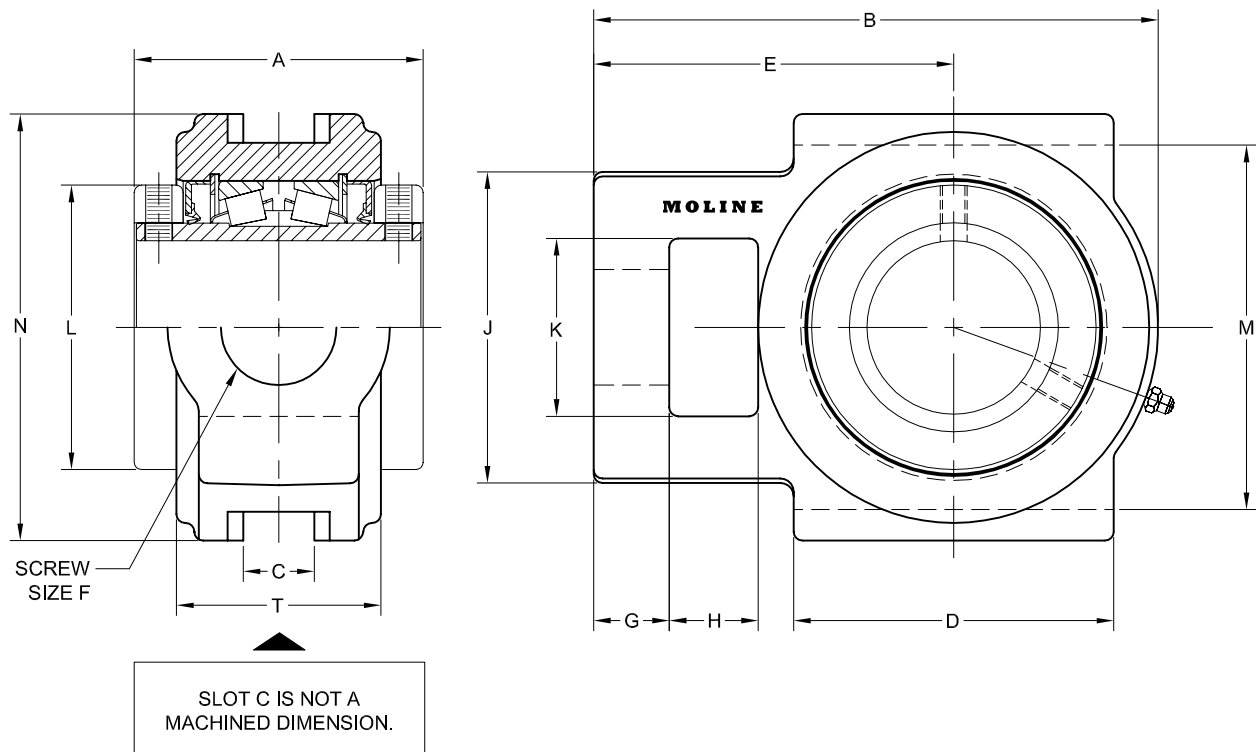


Note: Sizes 1 3/4" - 3 1/2" have one drive collar.  
 Sizes 3 15/16" and larger have 2 collars.  
 Also, sizes 4 7/16" and larger units have 6 equally spaced holes. All other units have 4 holes.  
 For personal service and special requests, please call us at 800.242.4633.  
 CAD drawings available upon request at no additional charge.  
**Furnished in non-expansion type only.**  
 For nomenclature see pages 190 and 191.

**TYPE E WIDE SLOT TAKE-UP**

SHAFT SIZE	MOLINE PART #	DIMENSIONS (INCHES)														WEIGHT LBS.
		A	B	C	D	E	F	G	H	J	K	L	M	N	T	
1 3/4	19351112	3 1/2	6 5/16	1 1/16	3 3/4	3 15/16	1	1 5/16	3/4	3 5/16	1 15/16	3 3/8	4	4 3/4	2 7/16	12
1 7/8	19351114															
1 15/16	19351115															
2	19351200															
45mm	19351045															
50mm	19351050															
2 3/16	19351203	3 3/4	7 1/8	1 3/16	3 3/4	4 5/8	1 1/8	1	1	3 7/8	2 1/4	3 3/4	4 1/2	5 1/4	2 9/16	16
55mm	19351055															
2 1/4	19351204	4	7 13/16	1 1/32	4 1/2	5 1/16	1 1/2	1 1/16	1 1/4	4 1/4	2 1/2	4	5 1/8	6	2 3/4	21
2 7/16	19351207															
2 1/2	19351208															
60mm	19351060															
65mm	19351065															
2 11/16	19351211	4 1/2	9 1/8	1 25/32	4 3/4	5 7/8	1 1/2	1 3/8	1 1/4	4 7/8	2 3/4	4 11/16	5 15/16	6 3/4	3	30
2 3/4	19351212															
2 15/16	19351215															
3	19351300															
70mm	19351070															
75mm	19351075															
3 3/16	19351303	5	10 1/4	1 25/32	6	6 3/8	1 3/4	1 1/16	1 5/8	4 7/8	2 7/8	5 5/16	6 13/16	7 13/16	3 13/16	45
3 1/4	19351304															
3 7/16	19351307															
3 1/2	19351308															
80mm	19351080															
85mm	19351085															
90mm	19351090															



**TYPE E WIDE SLOT TAKE-UP**

For personal service and special requests, please call us at 800.242.4633.

CAD drawings available upon request at no additional charge.

**Furnished in non-expansion type only.**

For nomenclature see pages 190 and 191.



**MOLINE BEARING CO.**

Post Office Box 99, Batavia, Illinois 60510, USA  
630.584.4600, 800.242.4633, 630.584.1999 fax  
www.molinebearing.com, sales@molinebearing.com

TEL # **800.242.4633**

31

## TYPE E APPLICATION GUIDE

### MOUNTING INSTRUCTIONS

It is critical to the performance of the bearing that it be mounted properly. Failure to follow proper mounting practice may result in reduced bearing life.

For best results, clean the shaft and bore of the bearing. The shaft should be straight, free of burrs and nicks, and the correct size.

Lubricate the shaft and bearing bore with grease or oil to facilitate assembly. Slip bearing into position. When light press fit is required, press against the end of the inner ring of bearing. Do not strike or exert pressure on the housings or seals.

Bolt the unit to the support, using shims where necessary to align bearing so the inner ring doesn't rub on the housing bore. Use shims that cover across the entire housing base.

Determine the final shaft position and tighten the set screws securely. Check the rotation. If there is any strain, or vibration, it could be due to incorrect alignment, a bent shaft or bent supports. Installation should be rechecked and corrections made where necessary.

SHAFT DIAMETER	SHAFT TOLERANCES
1 $\frac{3}{16}$ – 1 $\frac{1}{2}$	Plus .0000" to minus .0005"
1 $\frac{5}{8}$ – 4	Plus .0000" to minus .0010"
4 $\frac{7}{16}$ – 6	Plus .0000" to minus .0015"
6 $\frac{7}{16}$ – 7	Plus .0000" to minus .0020"

### LUBRICATION INSTRUCTIONS

All Moline bearings are factory lubricated with number 2 consistency lithium base grease that is suitable for most applications. Relubricate with lithium base grease or a grease that is compatible with original lubricant and suitable for roller bearing service. It should be noted that when re-lubricating, adding a small amount of grease on a frequent basis is preferable to a large amount of grease infrequently. In unusual cases consult the factory or a reputable grease supplier.

### Storage or Special Shutdown

If exposed to wet or dusty conditions or to corrosive vapors, extra protection is necessary: add grease until it shows at the seals; rotate the bearing to distribute grease; cover the bearing. After storage or idle period, add a little fresh grease before running.

### High Speed Operation

In the higher speed ranges, too much grease will cause overheating. The amount of grease that the bearing will take for a particular high-speed application can only be determined by experience (see "Operating Temperature" below). If excess grease in the bearing causes overheating, it will be necessary to remove grease fitting (also drain plug when furnished) to permit excess grease to escape. The bearing has been greased at the factory and is ready to run. When establishing a re-lubrication schedule, note that a small amount of grease at frequent intervals is preferable to a large amount at infrequent intervals.

### Operation in Presence of Dust, Water, or Corrosive Vapors

Under these conditions the bearing should contain as much grease as speed will permit, since a full bearing with consequent slight leakage is the best protection against entrance of foreign material. In higher speed ranges too much grease will cause overheating (see "High Speed Operation" above). In lower speed ranges, it is advisable to add extra grease to a new bearing before putting into operation. Bearings should be greased as often as necessary (daily if required) to maintain a slight leakage at the seals.

### Normal Operation

The bearing has been greased at the factory and is ready to run. The following table is a general guide for re-lubrication. However, certain conditions may require a change of lubricating periods as dictated by experience. See "High Speed Operation" and "Operation in Presence of Dust, Water, or Corrosive Vapors" above.

### Operating Temperature

Abnormal bearing temperature may indicate faulty lubrication. Normal temperature may range from "cool to warm to the touch" up to a point "too hot to touch for more than a few seconds," depending on bearing size and speed, and



## TYPE E APPLICATION GUIDE

surrounding conditions. Unusually high temperature accompanied by excessive leakage of grease indicates too much grease. High temperature with no grease showing at the seals, particularly if the bearing seems noisy usually indicates too little grease. Normal temperature and a slight showing of grease at the seals indicate proper lubrication.

### Kind of Grease

Many ordinary cup greases will disintegrate at speeds far below those at which Moline bearings will operate successfully if proper grease is used. Moline bearings have been lubricated at the factory with No. 2 consistency lithium base grease that is suitable for normal operating conditions. Re-lubricate with lithium base grease or a grease that is compatible with original lubricant and suitable for roller bearing service. In unusual or doubtful cases, the recommendation of a reputable grease manufacturer should be secured.

### Special Operating Conditions

Refer acid, chemical, extreme or other special operating conditions to the Moline Bearing Company, Batavia, Illinois.

### THRUST LOAD RATINGS

Moline Type E bearings have the capacity to carry heavy radial, thrust, and combined radial/thrust loads. The maximum recommended load which can be applied is limited by various components in the system, such as the bearing, housing, shaft, shaft attachment, speed and life requirements as listed in this catalog.

Select a bearing from the Type E selection chart having a radial load rating at the operating speed equal to or greater

than the calculated "Equivalent Radial Load" for a desired L10 life. This simple method is all that is required for the majority of applications and provides for occasional average shock loads. (Equivalent Radial Load = P). L10 Hours of Life is the life that may be expected from at least 90% of a given group of bearings operating under identical conditions.

For L10 Hours of Life other than those listed in the selection chart, multiply the Equivalent radial load by one the following factors.

For 50000 L10 Hours of Life use the factor of 1.16; 80,000 - 1.34. Then select a bearing from the bold face (30000) L10 ratings only in the selection chart having a rating equal to or greater than this value.

### Heavy Service

For heavy shock loads, frequent shock loads or severe vibrations, add up to 50% (according to severity of conditions) to the Equivalent Radial Load to obtain a modified radial load.

Thrust load values shown in the table below are recommended as a guide for normal applications that will give adequate L10 life. Where substantial radial load is also present, it is advisable to calculate the L10 life to assure it meets the requirements. The effectiveness of the shaft attachment to carry thrust load depends on proper tightening of the set screws, shaft tolerance, and shaft deflections. Therefore, it is advisable to use auxiliary thrust carrying devices such as shaft shoulder, snap ring, or a thrust collar to locate the bearing under heavier thrust loads or where extreme reliability is desired.

### Lubrication Guide

Read preceding paragraphs before establishing lubrication schedule.

HOURS RUN PER DAY	SUGGESTED LUBRICATION PERIOD IN WEEKS							
	1 TO 250 RPM	251 TO 500 RPM	501 TO 750 RPM	751 TO 1000 RPM	1001 TO 1500 RPM	1501 TO 2000 RPM	2001 TO 2500 RPM	2501 TO 3000 RPM
8	12	12	10	7	5	4	3	2
16	12	7	5	4	2	2	2	1
24	12	5	3	2	1	1	1	1



**MOLINE BEARING CO.**

Post Office Box 99, Batavia, Illinois 60510, USA  
630.584.4600, 800.242.4633, 630.584.1999 fax  
www.molinebearing.com, sales@molinebearing.com

TEL # **800.242.4633**

33

## TYPE E APPLICATION GUIDE CONTINUED

RPM RANGE	20-200	201-2000	OVER 2000
Recommended Thrust Load	C90/4	C90/8	C90/12

The shaft tolerances recommended are adequate under normal radial, thrust, and combination radial / thrust load applications. The radial load is limited by the attachment to the shaft (see table on following page). Since the allowable load, especially at low speed, is very large, the shaft should be checked to assure adequate shaft strength.

The magnitude and direction of both the thrust and radial load must be taken into account when selecting a housing. When pillow blocks are utilized, heavy loads should be directed through the base. Where a load pulls the housing away from the mounting base, both the hold down bolts and housing must be of adequate strength. Auxiliary load carrying devices such as shear bars are advisable for side or end loading of pillow blocks and radial loads for flange units.

To determine the L<sub>10</sub> hours of life for loads and RPM's not listed, use the following equation:

$$L_{10} = \left( \frac{C_{90}}{P} \right)^{10/3} \times \frac{1,500,000}{\text{RPM}}$$

Where:

L<sub>10</sub> = Life, hours

C<sub>90</sub> = Dynamic Capacity, lbs. (page 35)

P = Equivalent Radial Load, lbs.

When the load on a two row roller bearing is solely a radial load with no thrust (axial) load, the load is shared equally by both rows of rollers and the equivalent load is the same as the actual load. However, when a thrust (axial) load is applied, the loading on the two rows is shared unequally depending on the ratio of thrust to radial load. The use of the X (radial factor) and Y (thrust) factor from Table 1 convert the actual applied thrust and radial loads to equivalent radial load which has the same effect on the life of a bearing as a radial load of this magnitude.

$$P = XFR + YFA$$

Where:

P = Equivalent radial load, lbs.

FR = Radial load, lbs.—(see page 35 for allowable slip fit maximum)

FA = Thrust (axial) load, lbs.

e = Thrust load to radial load factor (page 35)

X = Radial load factor (page 35)

Y = Thrust load factor (page 35)

To find X and Y, first calculate FA/FR and compare to e. Determine X and Y from Table 1. Light Thrust FA/FR less than or equal to e or heavy thrust FA/FR greater than e.

Substitute all known values into the equivalent radial load equation. The equivalent radial load (P) thus determined can be used in the L<sub>10</sub> life formula or compared to the allowable equivalent radial load rating desired in the expanded rating table to select a bearing.

If the calculated value of P is less than FR then use P = FR.





## TYPE E APPLICATION GUIDE CONTINUED

### Type E Thrust Factors and Seal Speeds

SHAFT SIZE	E	LIGHT THRUST IF FA/FR≤E		HEAVY THRUST IF FA/FR≥E		DYNAMIC CAPACITY C90*		MAXIMUM RPM LABYRINTH SEAL	MAXIMUM RPM CONTACT SEAL	MAXIMUM SLIP FIT RADIAL LOAD FR**
		X	Y	X	Y	LBS.	NEWTONS			
1 3/16 - 1 1/4	.49	.87	1.77	.70	2.14	2980	13260	4490	3800	3100
1 3/8 - 1 7/16 35mm	.46	.87	1.89	.70	2.28	4760	21180	3820	3200	5000
1 1/2 - 1 11/16 40mm	.44	.87	1.96	.70	2.37	6140	27320	3320	2800	6400
1 3/4 - 2 45mm 50mm	.33	.87	2.64	.70	3.18	8070	35908	3050	2650	8400
2 3/16 55mm	.36	.87	2.38	.70	2.87	8550	38044	2730	2300	8900
2 1/4 - 2 1/2 60mm 65mm	.40	.87	2.17	.70	2.63	9090	40477	2420	2100	9500
2 11/16 - 3 70mm 75mm	.46	.87	1.87	.70	2.26	9600	42716	2060	1965	10000
3 3/16 - 3 1/2 80mm 85mm 90mm	.50	.87	1.71	.70	2.07	15300	68078	1640	1895	16000
3 15/16 - 4 100mm	.49	.87	1.77	.70	2.14	21000	93440	1530	1820	22000
4 7/16 - 4 1/2 110mm 115mm	.53	.87	1.63	.70	1.97	25800	114799	1360	1750	27000
4 15/16 - 5 125mm	.47	.87	1.83	.70	2.21	35500	157959	1200	1450	37000
5 7/16 - 6 130mm 135mm 140mm	.54	.87	1.76	.70	2.12	40700	181097	915	915	42400
6 7/16 - 7 160mm 170mm	.54	.87	1.61	.70	1.95	69200	307817	790	750	72000

\* C90 – Dynamic capacity based on a rated life of 90 million revolutions or 3,000 hours at 500 RPM.

\*\* If load exceeds maximum allowable slip fit radial load, snug to light press fit of shaft is required.



**MOLINE BEARING CO.**

Post Office Box 99, Batavia, Illinois 60510, USA  
630.584.4600, 800.242.4633, 630.584.1999 fax  
www.molinebearing.com, sales@molinebearing.com

TEL # **800.242.4633**

35

**TYPE E RADIAL LOAD RATINGS**

SHAFT SIZES	MINIMUM HOURS LIFE*	RADIAL LOAD RATINGS AT VARIOUS REVOLUTIONS PER MINUTE						
		10	25	50	100	250	500	750
1 <sup>3</sup> / <sub>16</sub> 1 <sup>1</sup> / <sub>4</sub>	10000	6716	5100	4143	3366	2556	2007	1838
	30000	4831	3669	2980	2421	1839	1494	1322
	40000	4431	3365	2733	2221	1687	1370	1213
	60000	3924	2980	2421	1967	1494	1213	1074
	100000	3366	2556	2077	1687	1281	1041	921
1 <sup>3</sup> / <sub>8</sub> 1 <sup>7</sup> / <sub>16</sub> 35mm	10000	10727	8147	6618	5377	4083	3317	2396
	30000	7716	5860	4760	3868	2937	2386	2112
	40000	7078	5375	4366	3548	2694	2189	1937
	60000	6268	4760	3867	3142	2386	1938	1715
	100000	5377	4083	3317	2695	2047	1663	1471
1 <sup>1</sup> / <sub>2</sub> 1 <sup>5</sup> / <sub>8</sub> 1 <sup>11</sup> / <sub>16</sub> 40mm	10000	13837	10509	8536	6936	5267	4279	3787
	30000	9953	7559	6140	4989	3789	3078	2724
	40000	9130	6933	5632	4576	3475	2823	2498
	60000	8085	6140	4988	4053	3078	2500	2213
	100000	6936	5267	4278	3476	2640	2145	1898
1-3/4 1-7/8 1-15/16 2 45mm 50mm	10000	18187	13812	11219	9116	6923	5624	4977
	30000	13082	9935	8070	6557	4980	4045	3580
	40000	11999	9113	7402	6014	4567	3710	3284
	60000	10626	8070	6555	5326	4045	3286	2908
	100000	9116	6923	5623	4569	3470	2819	2495
2- <sup>3</sup> / <sub>16</sub> 55mm	10000	19269	14633	11887	9658	7335	5958	5273
	30000	13860	10526	8550	6947	5276	4286	3973
	40000	12713	9655	7842	6372	4839	3931	3479
	60000	11258	8550	6945	5643	4285	3481	3081
	100000	9658	7335	5958	4841	3676	2986	2643
2 <sup>1</sup> / <sub>4</sub> 2 <sup>7</sup> / <sub>16</sub> 2 <sup>1</sup> / <sub>2</sub> 60mm 65mm	10000	20486	15558	12637	10268	7798	6334	5606
	30000	14735	11190	9090	7386	5609	4556	4032
	40000	13516	10264	8338	6775	5145	4179	3699
	60000	11969	9090	7384	6000	4556	3701	3276
	100000	10268	7798	6334	5147	3908	3175	2810
2 <sup>11</sup> / <sub>16</sub> 2 <sup>3</sup> / <sub>4</sub> 2 <sup>15</sup> / <sub>16</sub> 3 70mm 75mm	10000	21635	16430	13346	10844	8235	6690	5921
	30000	15562	11818	9600	7800	5924	4812	4259
	40000	14274	10840	8806	7155	5433	4414	3906
	60000	12641	9600	7798	6336	4812	3309	3459
	100000	10844	8235	6689	5435	4128	3353	2968



## TYPE E RADIAL LOAD RATINGS

SHAFT SIZES	RADIAL LOAD RATINGS AT VARIOUS REVOLUTIONS PER MINUTE							
	1000	1250	1500	1750	2000	2500	3000	3500
1 <sup>3</sup> / <sub>16</sub> 1 <sup>1</sup> / <sub>4</sub>	1686	1578	1493	1427	1371	1281	1213	1159
	1213	1135	1074	1026	986	922	872	834
	1113	1041	985	941	904	904	800	765
	985	922	872	834	801	801	709	677
	845	791	748	715	687	687	608	581
1 <sup>3</sup> / <sub>8</sub> 1 <sup>7</sup> / <sub>16</sub> 35mm	2693	2521	2385	2279	2189	2047	1937	1851
	1937	1813	1716	1639	1575	1472	1393	1321
	1777	1663	1574	1504	1444	1350	1278	1221
	1574	1473	1394	1331	1279	1196	1132	1081
	1350	1264	1195	1142	1097	1026	971	928
1 <sup>1</sup> / <sub>2</sub> 1 <sup>5</sup> / <sub>8</sub> 1 <sup>11</sup> / <sub>16</sub> 40mm	3474	3252	3076	2939	2824	2640	2499	-----
	2499	2339	2213	2114	2031	1899	1797	-----
	2292	2145	2030	1939	1863	1742	1649	-----
	2030	1900	1798	1718	1650	1543	1460	-----
	1741	1630	1542	1473	1415	1323	1252	-----
1-3/4 1-7/8 1-15/16 2 45mm 50mm	4566	4274	4043	3863	3712	3470	3284	-----
	3285	3074	2908	2779	2670	2496	2362	-----
	3013	2820	2668	2549	2449	2289	2167	-----
	2668	2497	2363	2257	2169	2027	1919	-----
	2289	2142	2027	1936	1860	1739	1646	-----
2- <sup>3</sup> / <sub>16</sub> 55mm	4838	4528	4284	4093	3932	3676	-----	-----
	3480	3257	3081	2944	2829	2644	-----	-----
	3192	2988	2826	2701	2594	2425	-----	-----
	2827	2646	2503	2392	2298	2148	-----	-----
	2425	2270	2147	2052	1971	1843	-----	-----
2 <sup>1</sup> / <sub>4</sub> 2 <sup>7</sup> / <sub>16</sub> 2 <sup>1</sup> / <sub>2</sub> 60mm 65mm	5144	4814	4555	4352	4181	3908	-----	-----
	3700	3463	3276	3130	3007	2811	-----	-----
	3394	3176	3005	2871	2758	2579	-----	-----
	3005	2813	2661	2543	2443	2284	-----	-----
	2578	2413	2283	2181	2095	1959	-----	-----
2 <sup>11</sup> / <sub>16</sub> 2 <sup>3</sup> / <sub>4</sub> 2 <sup>15</sup> / <sub>16</sub> 3 70mm 75mm	5432	5084	4810	4596	4415	-----	-----	-----
	3907	3657	3460	3306	3176	-----	-----	-----
	3584	3354	3174	3032	2913	-----	-----	-----
	3174	2971	2810	2685	2580	-----	-----	-----
	2723	2548	2411	2304	2213	-----	-----	-----

Note: Because the allowable loads, especially at low speeds, are extremely high, be sure the shaft strength is adequate and pillow blocks are base loaded. When imposed load is horizontal, be sure hold-down bolts are adequate. If bearings are cap loaded, full details on load, speed and shaft size should be referred to Moline Bearing Company. Consult Moline for speeds and loads greater than listed.

\*“Minimum Hours Life” is the life expected from at least 90% of a given group of bearings operating under identical conditions (proper installation, correct alignment and maintenance). Average life will be approximately five times the minimum life.



**MOLINE BEARING CO.**

Post Office Box 99, Batavia, Illinois 60510, USA  
630.584.4600, 800.242.4633, 630.584.1999 fax  
www.molinebearing.com, sales@molinebearing.com

TEL # **800.242.4633**

37

**TYPE E RADIAL LOAD RATINGS CONTINUED**

SHAFT SIZES	MINIMUM HOURS LIFE*	RADIAL LOAD RATINGS AT VARIOUS REVOLUTIONS PER MINUTE						
		10	25	50	100	250	500	750
3 <sup>3</sup> / <sub>16</sub>								
3 <sup>1</sup> / <sub>4</sub>	10000	34481	26186	21271	17283	13125	10662	9436
3 <sup>7</sup> / <sub>16</sub>	30000	24802	18335	15300	12432	9441	7669	6787
3 <sup>1</sup> / <sub>2</sub>	40000	22750	17277	14034	11403	8659	7034	6226
80mm	60000	20147	15300	12428	10098	7669	6230	5513
85mm	100000	17283	13125	10661	8663	6579	5344	4729
	10000	47327	35941	29195	23722	18015	14634	12951
3 <sup>15</sup> / <sub>16</sub>	30000	34042	25853	21000	17063	12958	10525	9316
4	40000	31225	23713	19262	15651	11886	9655	8545
100mm	60000	27652	21000	17058	13860	10526	8550	7567
	100000	23721	18015	14633	11890	9029	7335	6491
4 <sup>7</sup> / <sub>16</sub>	10000	58144	44157	35868	29144	22132	17979	15911
4 <sup>1</sup> / <sub>2</sub>	30000	41823	31762	25800	20963	15920	12932	11445
110mm	40000	38362	29133	23665	19228	14602	11862	10498
115mm	60000	33973	25800	20957	17028	12932	10505	9297
	100000	29143	22132	17978	14608	11093	9012	7975
4 <sup>15</sup> / <sub>16</sub>	10000	80005	60758	49354	40101	30453	24739	21894
5	30000	57547	43703	35500	28845	21905	17794	15748
125mm	40000	52785	40086	32562	26458	20092	16322	14445
	60000	46746	35500	28837	23341	17793	14454	12792
	100000	40100	30453	24737	20100	15264	12400	10974
5 <sup>7</sup> / <sub>16</sub>	10000	91711	69669	56590	45965	34915	28360	25115
5 <sup>15</sup> / <sub>16</sub>	30000	65961	50108	40700	33060	25115	20400	18060
6	40000	60507	45964	37335	30325	23035	18710	16570
130mm	60000	53577	40700	33060	26850	20400	16570	14670
135mm	100000	45964	34917	28360	23035	17500	14215	12585
6 <sup>7</sup> / <sub>16</sub>	10000	155931	118454	96215	78151	59368	48222	42699
6 <sup>1</sup> / <sub>2</sub>	30000	112149	85195	69200	56208	42699	34682	30710
6 <sup>15</sup> / <sub>16</sub>	40000	102876	78151	63478	51560	39168	31814	28171
7	60000	91094	69200	56208	45655	34682	28171	24944
160mm	100000	78151	59368	48222	39168	29754	24168	21400
170mm								



## TYPE E RADIAL LOAD RATINGS CONTINUED

SHAFT SIZES	RADIAL LOAD RATINGS AT VARIOUS REVOLUTIONS PER MINUTE							
	1000	1250	1500	1750	2000	2500	3000	3500
3 <sup>3</sup> / <sub>16</sub>								
3 <sup>1</sup> / <sub>4</sub>	8658	8103	7666	7325	-----	-----	-----	-----
3 <sup>7</sup> / <sub>16</sub>	6227	5829	5514	5269	-----	-----	-----	-----
3 <sup>1</sup> / <sub>2</sub>	5712	5346	5058	4833	-----	-----	-----	-----
80mm	5058	4735	4479	4280	-----	-----	-----	-----
85mm	4339	4061	3842	3671	-----	-----	-----	-----
90mm								
	11883	11122	10522	-----	-----	-----	-----	-----
3 <sup>15</sup> / <sub>16</sub>	8547	8000	7568	-----	-----	-----	-----	-----
4	7840	7338	6942	-----	-----	-----	-----	-----
100mm	6943	6498	6148	-----	-----	-----	-----	-----
	5956	5575	5274	-----	-----	-----	-----	-----
	14599	13664	-----	-----	-----	-----	-----	-----
4 <sup>7</sup> / <sub>16</sub>	10501	9829	-----	-----	-----	-----	-----	-----
4 <sup>1</sup> / <sub>2</sub>	9632	9015	-----	-----	-----	-----	-----	-----
110mm	8530	7984	-----	-----	-----	-----	-----	-----
115mm	7317	6849	-----	-----	-----	-----	-----	-----
	20088	18801	-----	-----	-----	-----	-----	-----
4 <sup>15</sup> / <sub>16</sub>	14449	13524	-----	-----	-----	-----	-----	-----
5	13253	12405	-----	-----	-----	-----	-----	-----
125mm	11737	10985	-----	-----	-----	-----	-----	-----
	10068	9424	-----	-----	-----	-----	-----	-----
	23035	-----	-----	-----	-----	-----	-----	-----
5 <sup>7</sup> / <sub>16</sub>	16570	-----	-----	-----	-----	-----	-----	-----
5 <sup>15</sup> / <sub>16</sub>	15200	-----	-----	-----	-----	-----	-----	-----
6	13455	-----	-----	-----	-----	-----	-----	-----
130mm	11545	-----	-----	-----	-----	-----	-----	-----
135mm								
140mm								
	-----	-----	-----	-----	-----	-----	-----	-----
6 <sup>7</sup> / <sub>16</sub>	-----	-----	-----	-----	-----	-----	-----	-----
6 <sup>1</sup> / <sub>2</sub>	-----	-----	-----	-----	-----	-----	-----	-----
6 <sup>15</sup> / <sub>16</sub>	-----	-----	-----	-----	-----	-----	-----	-----
7	-----	-----	-----	-----	-----	-----	-----	-----
160mm	-----	-----	-----	-----	-----	-----	-----	-----
170mm	-----	-----	-----	-----	-----	-----	-----	-----

Note: Because the allowable loads, especially at low speeds, are extremely high, be sure the shaft strength is adequate and pillow blocks are base loaded. When imposed load is horizontal, be sure hold-down bolts are adequate. If bearings are cap loaded, full details on load, speed and shaft size should be referred to Moline Bearing Company. Consult Moline for speeds and loads greater than listed.

\*"Minimum Hours Life" is the life expected from at least 90% of a given group of bearings operating under identical conditions (proper installation, correct alignment and maintenance). Average life will be approximately five times the minimum life.



**MOLINE BEARING CO.**

Post Office Box 99, Batavia, Illinois 60510, USA  
630.584.4600, 800.242.4633, 630.584.1999 fax  
www.molinebearing.com, sales@molinebearing.com

TEL # **800.242.4633**

39

## TYPE E SERIES INTERCHANGE

### True Type E Series Interchange

MOLINE	BROWNING	DODGE	ROYERSFORD	SEALMASTER
2-Bolt Pillow Block 19321 (Pages 18–19)	PBE920* True Type E	P2BE True Type E	20-02-0 True Type E	EPB-2* True Type E
4-Bolt Pillow Block 19341 (Pages 20–23)	PBE920F* True Type E	P4BE True Type E	20-04-0 True Type E	EPB-4* True Type E
4-Bolt Flange 19311 (Pages 24–27)	FBE920 True Type E	F4BE True Type E	20-05-0 True Type E	EFB True Type E
Piloted Flange 19331 (Pages 28–29)	----	FCE True Type E	20-06-0 True Type E	----
Wide Slot Take-Up 19351 (Pages 30–31)	TUE920 True Type E	WSTUE True Type E	20-07-0 True Type E	ETU True Type E

True Type E = Timken Cups/Cone Assembly (extended sleeve) and double collar

\*Denotes pillow block center to center dimension slightly different

### Type E / Spherical E Interchange

MOLINE	LINK-BELT**	REX**	SKF**
2-Bolt Pillow Block 19321 (Pages 18–19)	EPB22400	ZEP2000	SYE
4-Bolt Pillow Block 19341 (Pages 20–23)	EPB22400F	ZEP2000-F	FSYE
4-Bolt Flange 19311 (Pages 24–27)	----	ZEF2000-F	----
Piloted Flange 19331 (Pages 28–29)	----	----	----
Wide Slot Take-Up 19351 (Pages 30–31)	----	----	----

\*\* Denotes Spherical E = Spherical Single Collar insert in Type E Housing

Note: This is a general dimensional interchange. For exact dimensions and comparison information on inserts and seals, please contact the factory.

For Nomenclature see pages 190–191









# **M2000 SPHERICAL ROLLER BEARINGS**

**Moline M2000 Mounted Spherical Bearings are suitable for a wide variety of applications. They work exceptionally well in situations where a high capacity align-able bearing is required. They are available in a wide range of shaft sizes and a variety of popular mounts.**

Moline M2000 Pillow Blocks, 4-Bolt Flange Bearings, Piloted Flange Bearings and Wide Slot Take-up Bearings are ready to slip onto the shaft when received because they are completely assembled, adjusted, sealed and pre-lubricated at the factory. The self-aligning feature provides for speedy mounting with a minimum of field adjustment required. The housings are ruggedly designed and made in the USA of Class 30 cast iron. There is no danger of bearing failure resulting from dirt or dust entering the bearing before or during installation. Such contamination is very difficult to prevent in bearings that are not shaft ready. No time or expense is required for cleaning housings or initial lubrication. Therefore, overall cost is less in many instances. Operating expense over time is also generally less.

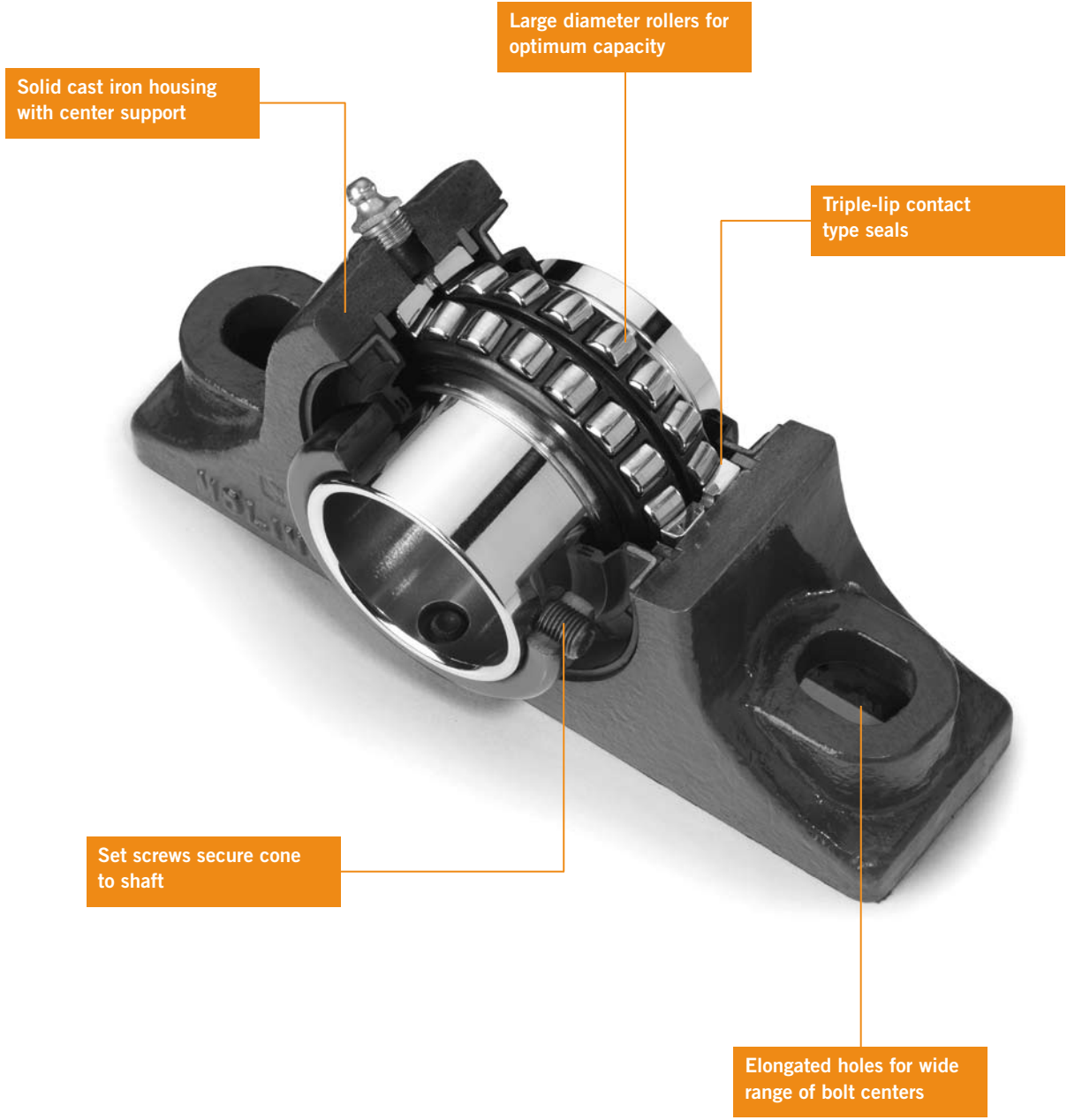
Our M2000 bearings are interchangeable with other collar mounted spherical roller bearings in single piece housings, and are equipped with bearings that have excellent load characteristics.

Standard on all Moline M2000 bearings is a specially designed triple-lip contact seal that prohibits entry of contaminants, retains lubrication and is self-purging. In addition, these bearings are also available with a spring loaded Garter seal for extreme conditions and a balanced Labyrinth seal for high-speed applications.

Moline M2000 bearings are available in expansion (red metal tag) and non-expansion (yellow metal tag) styles. The expansion units have the capacity to move up to .100". The bearings are available in shaft sizes from  $1\frac{3}{16}$ " up to  $4\frac{15}{16}$ ".

All Moline housings come with a standard paint finish. Nickel Plating, Epoxy and Teflon coatings are also available. For special requests and machining, please call us at the factory for further information.

Moline M2000 mounted bearings are carried in Moline warehouses and distributor stocks throughout the United States and in Canada.



## FEATURES OF MOLINE M2000 SPHERICAL ROLLER BEARINGS

### WITH SKF® ROLLER BEARINGS

- Available in shaft sizes from 1 $\frac{3}{16}$ " to 4 $\frac{15}{16}$ "
- +/- 1 $\frac{1}{2}$ ° misalignment capacity or .030" per foot of shaft
- Available in Expansion (red tag) and Non-Expansion (yellow tag) styles
- Expansion units have .100" capacity
- Single piece outer race
- 3 lube holes and groove in outer race
- Precision ground contours
- Will accommodate moderate thrust loads
- Permits angular misalignment without loss of capacity
- Long rollers allow for greater contact
- Standard grease operating temperature is up to 250°, high temperature grease is available up to 350°, please call the factory for more information
- Housings available in the standard painted finish. Nickel plating, Epoxy and Teflon coatings available on request
- Custom machining and design is available upon request, please call the factory for more information
- Rotating center guide ring for least possible friction
- Housings are made in the USA of Class 30 cast iron
- Piloted Flange housings are machined with back-out holes
- Comes with a Triple Lip Contact Seal standard, also available with Labyrinth Seals for high speed applications and with Spring Loaded Garter Seals for dirty and wet applications
- Made in the United States

Standard "Triple Lip" Seal



Spring Loaded Garter Seal for use in extreme wet and dirt conditions



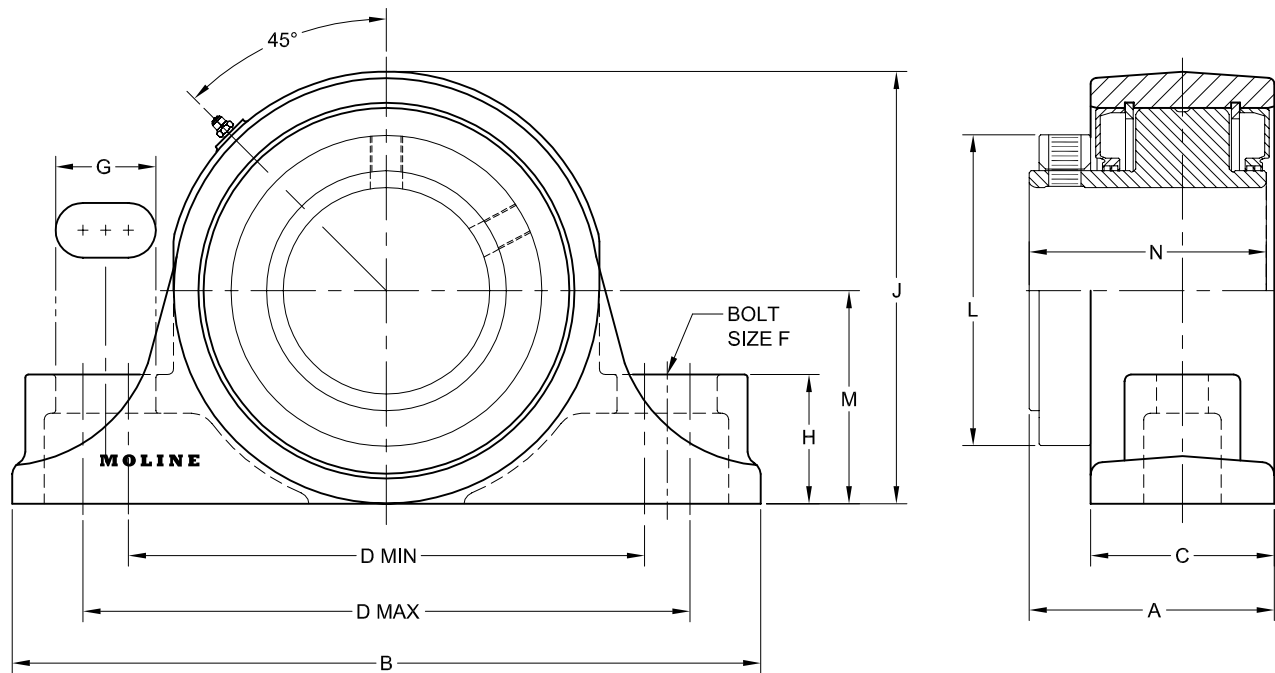
# M2000 2-BOLT PILLOW BLOCK

M2000 SPHERICALS

SHAFT SIZE	MOLINE PART #		DIMENSIONS (INCHES)													WEIGHT LBS.
	EXP	NON-EXP	A	B	C	MIN D	CENTER TO CENTER D	MAX D	F	G	H	J	L	M	N	
1 3/16 1 1/4 1 7/16 1 1/2	19121103 19121104 19121107 19121108	19221103 19221104 19221107 19221108	2 7/8	6 7/8	2 3/16	4 11/16	5	5 5/16	1/2	1 5/16	1 3/16	3 7/8	2 1/2	1 7/8	2 3/4	6.9
1 11/16 1 3/4	19121111 19121112	19221111 19221112	3	7 3/8	2 3/16	5 3/16	5 1/2	5 13/16	1/2	1 5/16	1 5/16	4 1/4	2 5/8	2 1/8	2 7/8	8.1
1 15/16 2	19121115 19121200	19221115 19221200	3	8 3/8	2 3/16	5 15/16	6 1/4	6 9/16	5/8	1	1 3/8	4 9/16	2 7/8	2 1/4	2 7/8	9.1
2 3/16	19121203	19221203	3 1/4	8 7/8	2 1/2	6 7/16	6 3/4	7 1/16	5/8	1	1 5/8	5	3 1/4	2 1/2	3 1/8	11.8
2 7/16 2 1/2	19121207 19121208	19221207 19221208	3 1/2	9 1/4	2 3/4	6 13/16	7 1/8	7 7/16	5/8	1	1 3/4	5 11/16	4	2 3/4	3 3/8	16.2
2 11/16 2 3/4 2 15/16 3	19121211 19121212 19121215 19121300	19221211 19221212 19221215 19221300	3 13/16	10 1/2	2 13/16	7 13/16	8 1/8	8 7/16	3/4	1 1/8	2 1/4	6 7/16	4 3/8	3 1/4	3 5/8	22.1
3 3/16 3 7/16 3 1/2	19121303 19121307 19121308	19221303 19221307 19221308	4 1/4	13	3 1/4	9 1/2	10	10 1/2	7/8	1 7/16	2 1/4	7 1/2	5 1/8	3 3/4	4 1/32	31.6
3 11/16 3 15/16 4	19121311 19121315 19121400	19221311 19221315 19221400	4 3/4	14 1/2	3 9/16	10	10 7/8	11 3/4	1	1 15/16	2 1/2	8 3/8	6	4 1/8	4 19/32	45



## M2000 2-BOLT PILLOW BLOCK



M2000 SPHERICALS



For personal service and special requests, please call us at 800.242.4633.

CAD drawings available upon request at no additional charge

For nomenclature see pages 190 and 191.



Post Office Box 99, Batavia, Illinois 60510, USA  
630.584.4600, 800.242.4633, 630.584.1999 fax  
www.molinebearing.com, sales@molinebearing.com

**MOLINE BEARING CO.**

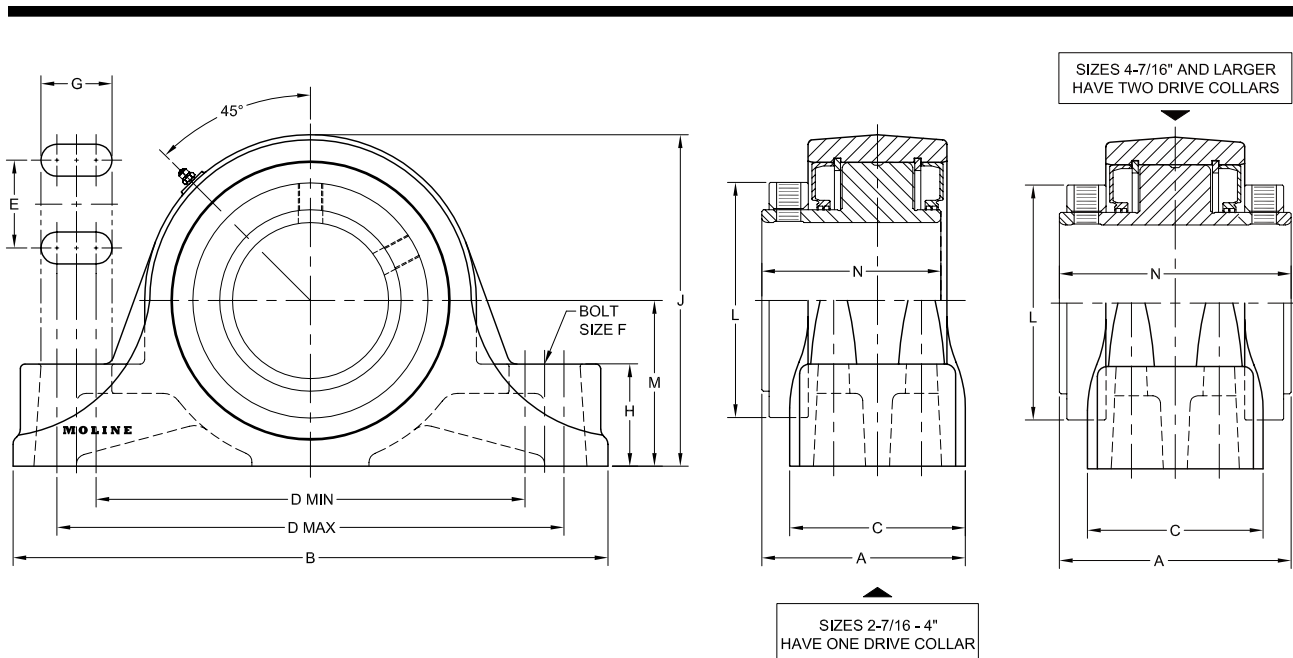
TEL # **800.242.4633**

49

# M2000 4-BOLT PILLOW BLOCK

M2000 SPHERICALS

SHAFT SIZE	MOLINE PART #		DIMENSIONS (INCHES)					
	EXP	NON-EXP	A	B	C	MIN D	CENTER TO CENTER D	MAX D
2 7/16 2 1/2	19141207 19141208	19241207 19241208	3 3/4	9 1/4	3 1/4	6 7/8	7 1/4	7 5/8
2 11/16 2 3/4 2 15/16 3	19141211 19141212 19141215 19141300	19241211 19241212 19241215 19241300	4 1/4	10 1/2	3 3/4	7 7/8	8 1/8	8 3/8
3 3/16 3 7/16 3 1/2	19141303 19141307 19141308	19241303 19241307 19241308	4 9/16	13	3 7/8	9 1/4	10	10 3/4
3 11/16 3 15/16 4	19141311 19141315 19141400	19241311 19241315 19241400	5 1/4	15 1/4	4 1/2	11	12	13
4 7/16 4 1/2	19141407 19141408	19241407 19241408	6 1/8	16 1/2	4 3/4	13	13 1/2	14
4 15/16	19141415	19241415	6 5/8	18 5/8	5 3/8	15	15 1/2	16





## M2000 4-BOLT PILLOW BLOCK

SHAFT SIZE	DIMENSIONS (INCHES)								WEIGHT LBS.
	E	F	G	H	J	L	M	N	
2 7/16 2 1/2	1 3/4	1/2	15/16	1 3/4	5 11/16	4	2 3/4	3 3/8	17
2 11/16 2 3/4 2 15/16 3	1 7/8	5/8	15/16	2 1/4	6 7/16	4 3/8	3 1/4	3 5/8	26
3 3/16 3 7/16 3 1/2	2	3/4	1 9/16	2 1/4	7 1/2	5 1/8	3 3/4	4 1/32	38
3 11/16 3 15/16 4	2 1/4	3/4	1 13/16	2 5/8	8 1/2	6	4 1/4	4 19/32	50
4 7/16 4 1/2	2 1/2	3/4	1 5/16	2 3/4	9 1/2	6 1/8	4 3/4	6 1/8	75
4 15/16	2 3/4	7/8	1 1/2	3	11 1/8	6 7/8	5 1/2	6 5/8	121



Note: Sizes 2 7/16" – 4" have one drive collar. For sizes 4 7/16" and larger have 2 drive collars.

For personal service and special requests, please call us at 800.242.4633.

CAD drawings available upon request at no additional charge.

For nomenclature see pages 190 and 191.



**MOLINE BEARING CO.**

Post Office Box 99, Batavia, Illinois 60510, USA  
630.584.4600, 800.242.4633, 630.584.1999 fax  
www.molinebearing.com, sales@molinebearing.com

TEL # **800.242.4633**

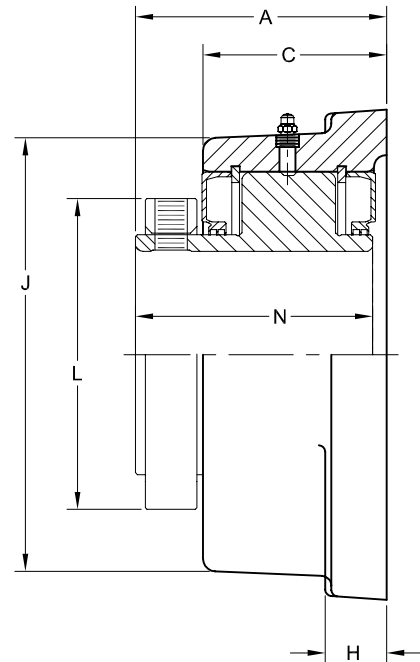
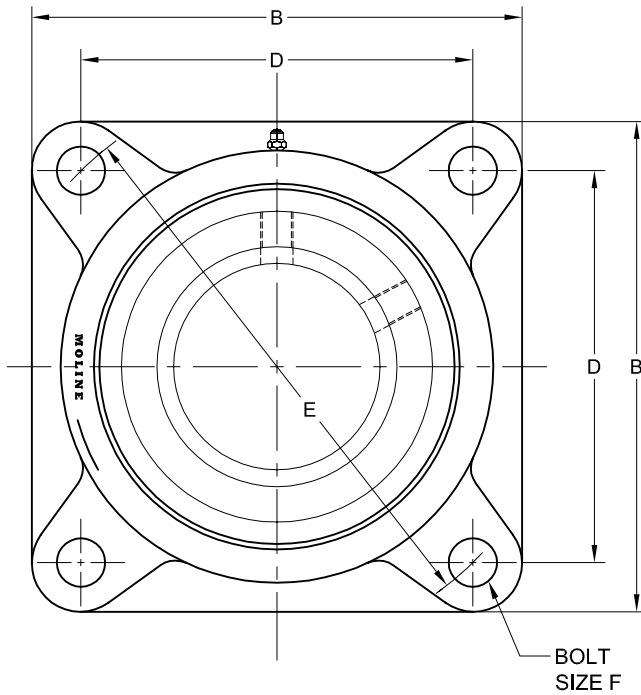
# M2000 4-BOLT FLANGE

M2000 SPHERICALS

SHAFT SIZE	MOLINE PART #		DIMENSIONS (INCHES)										WEIGHT LBS.
	EXP	NON-EXP	A	B	C	D	E	F	H	J	L	N	
1 7/16 1 1/2	19111107 19111108	19211107 19211108	2 15/16	4 5/8	2 1/4	3 17/32	5	1/2	3/4	3 7/8	2 1/2	2 3/4	7
1 11/16 1 3/4	19111111 19111112	19211111 19211112	3 1/16	5	2 1/4	3 57/64	5 1/2	1/2	3/4	4 1/4	2 5/8	2 7/8	10
1 15/16 2	19111115 19111200	19211115 19211200	3 1/32	5 1/4	2 1/4	4 1/16	5 3/4	1/2	3/4	4 1/2	2 7/8	2 7/8	10.5
2 3/16	19111203	19211203	3 9/32	5 7/8	2 7/16	4 17/32	6 3/8	5/8	3/4	5	3 1/4	3 1/8	12.5
2 7/16 2 1/2	19111207 19111208	19211207 19211208	3 9/16	6 1/8	2 3/4	4 25/32	6 3/4	5/8	1	5 3/4	4	3 3/8	16.5
2 11/16 2 3/4 2 15/16 3	19111211 19111212 19111215 19111300	19211211 19211212 19211215 19211300	3 15/16	7 1/4	2 7/8	5 9/16	7 7/8	3/4	1	6 5/8	4 3/8	3 5/8	25
3 3/16 3 7/16 3 1/2	19111303 19111307 19111308	19211303 19211307 19211308	4 11/32	8 3/8	3 1/4	6 23/32	9 1/2	3/4	1 1/8	7 5/8	5 1/8	4 1/32	35
3 11/16 3 15/16 4	19111311 19111315 19111400	19211311 19211315 19211400	4 7/8	9 1/2	3 9/16	7 19/32	10 3/4	7/8	1 3/16	8 3/8	6	4 19/32	48



## M2000 4-BOLT FLANGE



For personal service and special requests, please call us at 800.242.4633. CAD drawings available upon request at no additional charge.

For nomenclature see pages 190 and 191.



Post Office Box 99, Batavia, Illinois 60510, USA  
630.584.4600, 800.242.4633, 630.584.1999 fax  
www.molinebearing.com, sales@molinebearing.com

**MOLINE BEARING CO.**

TEL # **800.242.4633**

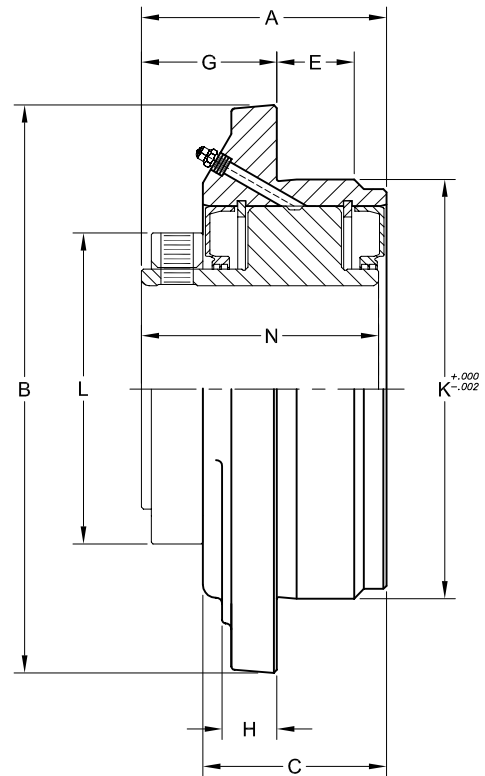
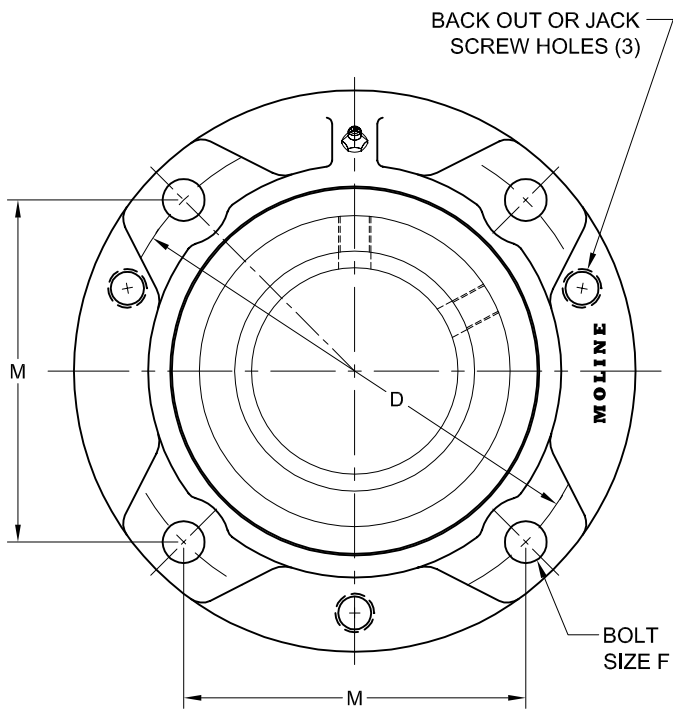
# M2000 PILOTED FLANGE CARTRIDGE

M2000 SPHERICALS

SHAFT SIZE	MOLINE PART #		DIMENSIONS (INCHES)													WEIGHT LBS.
	EXP	NON-EXP	A	B	C	D	E	F	G	H	K	L	M	N		
1 7/16 1 1/2	19131107 19131108	19231107 19231108	2 13/16	5 1/4	2 1/16	4 3/8	1 9/32	3/8	1 9/16	1/2	3 5/8	2 1/2	3 3/32	2 3/4	7	
1 11/16 1 3/4	19131111 19131112	19231111 19231112	3	6 1/8	2 3/16	5 1/8	7/8	7/16	1 9/32	1/2	4 1/4	2 5/8	3 5/8	2 7/8	8.5	
1 15/16 2	19131115 19131200	19231115 19231200	3	6 3/8	2 3/16	5 3/8	7/8	7/16	1 1/2	1/2	4 1/2	2 7/8	3 51/64	2 7/8	10.5	
2 3/16	19131203	19231203	3 1/4	7 1/8	2 7/16	6	1	1/2	1 25/32	1/2	5	3 1/4	4 1/4	3 1/8	14.5	
2 7/16 2 1/2	19131207 19131208	19231207 19231208	3 1/2	7 5/8	2 11/16	6 1/2	1	1/2	1 7/8	5/8	5 1/2	4	4 19/32	3 3/8	16	
2 11/16 2 3/4 2 15/16 3	19131211 19131212 19131215 19131300	19231211 19231212 19231215 19231300	3 13/16	8 3/4	2 13/16	7 1/2	1 1/4	5/8	2	3/4	6 3/8	4 3/8	5 19/64	3 5/8	22	
3 3/16 3 7/16 3 1/2	19131303 19131307 19131308	19231303 19231307 19231308	4 1/4	10 1/4	3 1/4	8 5/8	1 1/4	3/4	2 1/2	1 5/16	7 3/8	5 1/8	6 3/32	4 1/32	33	
3 11/16 3 15/16 4	19131311 19131315 19131400	19231311 19231315 19231400	4 3/4	10 7/8	3 9/16	9 3/8	1 1/2	3/4	2 5/8	1 1/16	8 1/8	6	6 5/8	4 19/32	45	



## M2000 PILOTED FLANGE CARTRIDGE



M2000 SPHERICALS



For personal service and special requests, please call us at 800.242.4633.

CAD drawings available upon request at no additional charge.

For nomenclature see pages 190 and 191.



Post Office Box 99, Batavia, Illinois 60510, USA  
630.584.4600, 800.242.4633, 630.584.1999 fax  
www.molinebearing.com, sales@molinebearing.com

**MOLINE BEARING CO.**

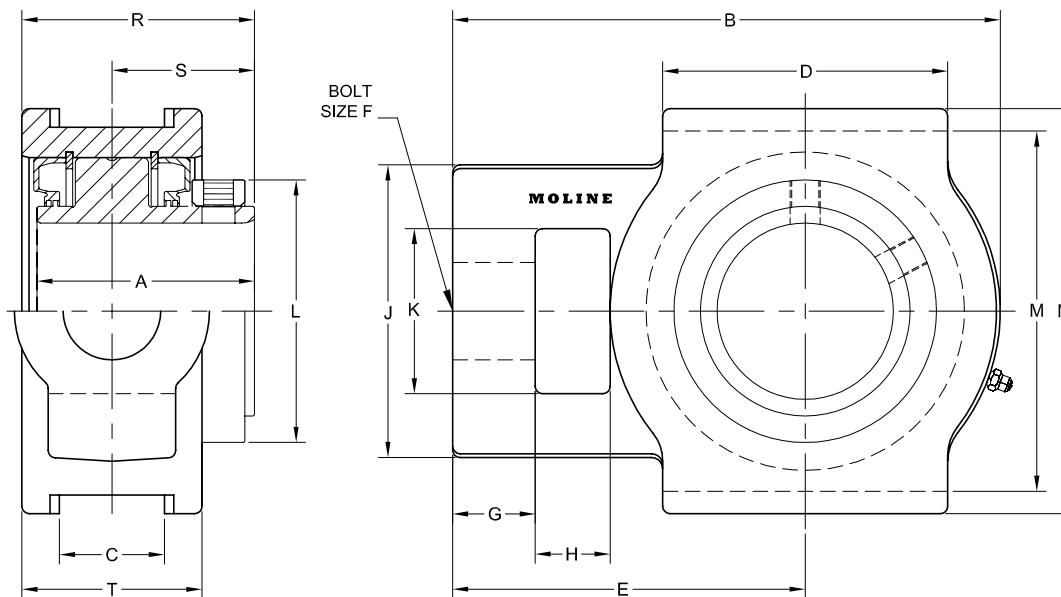
TEL # **800.242.4633**

55

# M2000 WIDE SLOT TAKE-UP

M2000 SPHERICALS

SHAFT SIZE	MOLINE PART #		DIMENSIONS (INCHES)							
	EXP.	NON-EXP	A	B	C	D	E	F	G	H
1 15/16 2	19151115 19151200	19251115 19251200	2 7/8	6 5/16	1 1/16	3 3/4	3 15/16	1	15/16	3/4
2 3/16	19151203	19251203	3 1/8	7 1/8	1 3/16	3 3/4	4 5/8	1 1/8	1	1
2 7/16 2 1/2	19151207 19151208	19251207 19251208	3 3/8	7 13/16	1 1/32	4 1/2	5 1/16	1 1/2	1 1/16	1 1/4
2 11/16 2-3/4 2 15/16 3	19151211 19151212 19151215 19151300	19251211 19251212 19251215 19251300	3 5/8	9 1/8	1 25/32	4 3/4	5 7/8	1 1/2	1 3/8	1 1/4
3 3/16 3 7/16 3 1/2	19151303 19151307 19151308	19251303 19251307 19251308	4 1/32	10 1/4	1 25/32	6	6 3/8	1 3/4	1 1/16	1 5/8



SLOT C IS NOT A MACHINED DIMENSION.



## M2000 WIDE SLOT TAKE-UP

SHAFT SIZE	DIMENSIONS (INCHES)								WEIGHT LBS.
	J	K	L	M	N	R	S	T	
1 <sup>15</sup> / <sub>16</sub> 2	3 <sup>5</sup> / <sub>16</sub>	1 <sup>15</sup> / <sub>16</sub>	2 <sup>7</sup> / <sub>8</sub>	4	4 <sup>3</sup> / <sub>4</sub>	3 <sup>1</sup> / <sub>16</sub>	1 <sup>7</sup> / <sub>8</sub>	2 <sup>7</sup> / <sub>16</sub>	12
2 <sup>3</sup> / <sub>16</sub>	3 <sup>7</sup> / <sub>8</sub>	2 <sup>1</sup> / <sub>4</sub>	3 <sup>1</sup> / <sub>4</sub>	4 <sup>1</sup> / <sub>2</sub>	5 <sup>1</sup> / <sub>4</sub>	3 <sup>1</sup> / <sub>4</sub>	2	2 <sup>9</sup> / <sub>16</sub>	16
2 <sup>7</sup> / <sub>16</sub> 2 <sup>1</sup> / <sub>2</sub>	4 <sup>1</sup> / <sub>4</sub>	2 <sup>1</sup> / <sub>2</sub>	4	5 <sup>1</sup> / <sub>8</sub>	6	3 <sup>1</sup> / <sub>2</sub>	2 <sup>1</sup> / <sub>8</sub>	2 <sup>3</sup> / <sub>4</sub>	21
2 <sup>11</sup> / <sub>16</sub> 2-3/4 2 <sup>15</sup> / <sub>16</sub> 3	4 <sup>7</sup> / <sub>8</sub>	2 <sup>3</sup> / <sub>4</sub>	4 <sup>3</sup> / <sub>8</sub>	5 <sup>15</sup> / <sub>16</sub>	6 <sup>3</sup> / <sub>4</sub>	3 <sup>7</sup> / <sub>8</sub>	2 <sup>3</sup> / <sub>8</sub>	3	30
3 <sup>3</sup> / <sub>16</sub> 3 <sup>7</sup> / <sub>16</sub> 3 <sup>1</sup> / <sub>2</sub>	4 <sup>7</sup> / <sub>8</sub>	2 <sup>7</sup> / <sub>8</sub>	5 <sup>1</sup> / <sub>8</sub>	6 <sup>13</sup> / <sub>16</sub>	7 <sup>13</sup> / <sub>16</sub>	4 <sup>1</sup> / <sub>2</sub>	2 <sup>19</sup> / <sub>32</sub>	3 <sup>13</sup> / <sub>16</sub>	45



For personal service and special requests, please call us at 800.242.4633.  
CAD drawings available upon request at no additional charge.

**For nomenclature see pages 190 and 191.**



Post Office Box 99, Batavia, Illinois 60510, USA  
630.584.4600, 800.242.4633, 630.584.1999 fax  
www.molinebearing.com, sales@molinebearing.com

**MOLINE BEARING C°**

TEL # **800.242.4633**

57

# M2000 APPLICATION GUIDE

## MOUNTING INSTRUCTIONS

It is critical to the performance of the bearing that it be mounted properly. Failure to follow proper mounting practice may result in reduced bearing life.

SHAFT DIAMETER	SHAFT TOLERANCES
1 <sup>3</sup> / <sub>16</sub> – 1 <sup>1</sup> / <sub>2</sub>	Plus .0000" to minus .0005"
1 <sup>5</sup> / <sub>8</sub> – 4	Plus .0000" to minus .0010"
4 <sup>7</sup> / <sub>16</sub> – 4 <sup>15</sup> / <sub>16</sub>	Plus .0000" to minus .0015"

## INSTALLATION INSTRUCTIONS

### Non-Expansion Bearing

1. Clean shaft and bore of bearing. The shaft should be straight, free of burrs and nicks, and the correct size.
2. Lubricate shaft and bearing bore with grease or oil to facilitate assembly. Slip bearing into position. When light press fit is required, press against the end of the inner ring of bearing. Do not strike or exert pressure on the housing or seals.
3. Bolt bearing to support, using shims where necessary to align bearing so inner ring does not rub on housing bore. Use full shims which cover across the entire housing base.
4. Determine final shaft position and tighten screws in the locking collar(s) of non-expansion bearing firmly onto the shaft, while the other bearings remain free. Rotate the shaft slowly under load, if possible, to properly center the rolling elements with respect to the raceways. Then tighten set screws in the locking collar of the remaining bearings to the recommended torque.
5. Check rotation. If there is any strain, irregular rotational torque or vibration, it could be due to incorrect alignment, bent shaft or bent supports. Installation should be rechecked and correction made where necessary.

### M2000 Expansion Bearing Applications

In addition to the requirements listed above, the following additional instructions should be followed. Position the expansion bearing in the housing. For normal expansion conditions, the bearing insert should be positioned in the center of the housing. To center the insert in the housing, move the bearing to the extreme position (-.100" on all expansion units) and mark the shaft. Then move the

bearing insert in the opposite direction one-half the total expansion to center the bearing in the housing. If the maximum expansion is required, move the bearing insert to the extreme position in the housing to permit full movement in the direction of the expansion. After the expansion bearing has been positioned in the housing, tighten the set screws securely to the shaft.

### Expansion Bearing

1. Same as Non-Expansion Bearing.
2. Same as Non-Expansion Bearing.
3. Same as Non-Expansion Bearing.
4. Position expansion bearing in the housing. For normal expansion conditions, the bearing insert should be positioned in the center of the housing. To center bearing insert in housing, move bearing insert to extreme position and mark shaft. Then using bearing maximums total expansion table, move bearing insert in opposite direction one-half the total expansion to center bearing in the housing. If maximum expansion is required, move bearing insert to the extreme position in the housing to permit full movement in direction of expansion. After expansion bearing has been positioned in the housing, tighten the set screws in the locking collar to the recommended torque.
5. Same as Non-Expansion Bearing.

### Bearing Maximum Total Expansion

All Expansion Units have - .100" Capacity  
Misalignment Capacity = +/- 1<sup>1</sup>/<sub>2</sub>°

## LUBRICATION INSTRUCTIONS

This bearing is factory lubricated with No. 2 consistency lithium base grease which is suitable for most applications. However, extra protection is necessary if bearing is subjected to excessive moisture, dust, or corrosive vapor. In these cases, bearing should contain as much grease as speed will permit (a full bearing with consequent slight leakage through the seal is the best protection against contaminant entry).

In extremely dirty environments, the bearing should be purged daily to flush out contaminants. For added protection, it is advisable to shroud the bearing from falling material.





## M2000 APPLICATION GUIDE

### High Speed Operation

At higher operating speed, too much grease may cause overheating. In these cases, the amount of lubrication can only be determined by experience. If excess grease in the bearing causes overheating, it will be necessary to remove grease fittings and run for 10 minutes. This will allow excess grease to escape. Then wipe off excess grease and replace grease fittings.

In higher speed applications, a small amount of grease at frequent intervals is preferable to a large amount at long intervals. However, the proper volume and interval of lubrication can best be determined by experience.

The following table is a general guide for normal operating conditions. However, some situations may require a change in lubricating periods as dictated by experience. If the bearing is exposed to unusual operating conditions, consult a reputable grease manufacturer.

### LUBRICATION GUIDE

Read preceding paragraphs before establishing lubrication schedule.

Abnormal bearing temperatures may indicate insufficient lubrication. If the housing is too hot to touch for more than a few seconds, check the temperature by applying a thermometer at the top of the pillow block with the thermometer tip surrounded by putty.

Because the thermometer reading will be approximately 10°F. lower than the actual bearing temperature, add ten degrees to the reading and compare to the temperature rating of your grease. If the bearing temperature reading

is consistent and operating within the recommended limits of your grease, the bearing is operating satisfactorily.

If equipment will be idle for some time, before shutting down, add grease to the bearing until grease purges from the seals. This will ensure protection of the bearing, particularly when exposed to severe environmental conditions. After storage or idle period, add fresh grease to the bearing before starting.

### SPECIAL OPERATING CONDITIONS

Refer acid, chemical, extreme or other special operating conditions to the Moline Bearing Company.

Moline spherical bearings have the capacity to carry substantial radial loads, thrust loads or a combined radial and thrust load. The maximum load that can be applied is limited by the various components in the system, and the life requirements listed in this catalog. The factory should be consulted on any application that exceeds the recommendations in the catalog.

Select a bearing from the M2000 load-rating chart having a radial load rating at the operating speed equal to or greater than the calculated Equivalent Radial Load for a desired L10 life. This simple method is all that is necessary for most general applications and provides for occasional shock loads.

L10 Hours of Life - Is the life that may be expected from at least 90% of a given group of bearings operated under identical conditions. The average life (L50) will be approximately five times the L10 life.

### Lubrication Guide

Read preceding paragraphs before establishing lubrication schedule.

HOURS RUN PER DAY	SUGGESTED LUBRICATION PERIOD IN WEEKS							
	1 TO 250 RPM	251 TO 500 RPM	501 TO 750 RPM	751 TO 1000 RPM	1001 TO 1500 RPM	1501 TO 2000 RPM	2001 TO 2500 RPM	2501 TO 3000 RPM
8	12	12	10	7	5	4	3	2
16	12	7	5	4	2	2	2	1
24	12	5	3	2	1	1	1	1



Post Office Box 99, Batavia, Illinois 60510, USA  
630.584.4600, 800.242.4633, 630.584.1999 fax  
www.molinebearing.com, sales@molinebearing.com

**MOLINE BEARING CO.**

TEL # **800.242.4633**

To determine the L10 hours of life for loads and RPM's not listed, use the following equation.

$$L_{10} = \left(\frac{C}{P}\right)^{10/3} \times \frac{16667}{RPM}$$

Where: C= Dynamic Capacity (See Table below)  
P= Equivalent Radial Load

If the load on a double row spherical bearing is only in a radial direction (no axial load), the Equivalent Radial Load (P) is equal to the actual radial load. In situations where the bearing load consists of radial and thrust loads, the total load must be converted into an Equivalent Radial Load by the equation:

$$P = XF_R + YF_A$$

Where:  
FA = Axial (thrust) Load - see page 61 for maximum  
FR= Radial Load  
X= Radial Load Factor  
(page 61)  
Y= Thrust Load Factor  
(page 61)

To find the X and Y values, first calculate FA/FR. Then use the M2000 Thrust Factors and Seal Speeds table on the following page to determine the appropriate values for X and Y. Substitute all known values into the Equivalent Radial Load equation.

For longer L10 hours other than 30,000 hours and not shown, multiply the Equivalent Radial Load by one of the following factors: for 20,000 L10 hours life, use a factor of .87; for 40,000 L10 hours of live, use 1.25; and for 80,000 L10 hours of live, use 1.38.

In applications that have heavy shock loads, frequent shock or severe vibrations, add up to 50% to the Equivalent Radial Load to obtain a modified Equivalent Radial Load. The amount of load added is relative to the severity of the application. Additional assistance can be obtained by consulting with the factory.

The shaft tolerances noted on page 58 are sufficient for normal applications. As noted in Table 1, extremely heavy radial loads may require a light to snug press fit onto the shaft.

The magnitude and direction of both the thrust and radial load must be taken into account when selecting the housing. When pillow blocks are used, heavy loads should be directed through the base. If the bearing must be used in a situation where the load pulls the housing away from the mounting base, both the hold down bolts and housing must be of adequate strength. Auxiliary load carrying devices such as shear bars are advisable for side or end loading of pillow blocks and radial loads for flange units.



## M2000 APPLICATION GUIDE CONTINUED

### M2000 Thrust Factors and Seal Speeds

SHAFT SIZE	E	LIGHT THRUST IF $FA/FR \leq E$		HEAVY THRUST IF $FA/FR \geq E$		DYNAMIC CAPACITY C*		SEAL SPEED LIMITS			MAXIMUM SLIP FIT RADIAL LOAD FR**
		X	Y	X	Y	LBS.	NEWTONS	STANDARD TRIPLE LIP RPM	LABYRINTH RPM	GARTER SPRING RPM	
1 <sup>7</sup> / <sub>16</sub> - 1 <sup>1</sup> / <sub>2</sub>	.28	1.0	2.4	.67	3.6	16500	73600	2800	5300	1700	2000
1 <sup>11</sup> / <sub>16</sub> - 1 <sup>3</sup> / <sub>4</sub>	.26	1.0	2.6	.67	3.9	17300	77100	2650	4700	1600	2100
1 <sup>15</sup> / <sub>16</sub> - 2	.24	1.0	2.8	.67	4.2	19000	84500	2400	4250	1450	2300
2 <sup>3</sup> / <sub>16</sub>	.23	1.0	2.9	.67	4.3	22400	99500	2150	3800	1300	2700
2 <sup>7</sup> / <sub>16</sub> - 2 <sup>1</sup> / <sub>2</sub>	.24	1.0	2.8	.67	4.2	33300	148000	1800	3250	1100	4000
2 <sup>11</sup> / <sub>16</sub> - 3	.22	1.0	3.1	.67	4.6	34600	158000	1600	2800	950	4200
3 <sup>3</sup> / <sub>16</sub> - 3 <sup>1</sup> / <sub>2</sub>	.23	1.0	2.9	.67	4.3	56900	253000	1300	2200	800	6800
3 <sup>11</sup> / <sub>16</sub> - 4	.24	1.0	2.8	.67	4.2	69900	311000	1200	2000	700	8400
4 <sup>7</sup> / <sub>16</sub> - 4 <sup>1</sup> / <sub>2</sub>	.25	1.0	2.7	.67	4.1	91700	408000	1750	---	---	11000
4 <sup>15</sup> / <sub>16</sub>	.26	1.0	2.6	.67	3.9	123000	546000	1450	---	---	14800

\* Comparing Spherical to Tapered Roller Bearings—The dynamic capacity C (Spherical) and C90 (Tapered) are not the same base. To compare basic dynamic capacities, multiply C x .259 and compare to C90. To select and then compare, use the complete procedure for each bearing and then compare.

\*\* If load exceeds maximum allowable slip fit radial load, snug to light press fit of shaft is required.



Post Office Box 99, Batavia, Illinois 60510, USA  
 630.584.4600, 800.242.4633, 630.584.1999 fax  
[www.molinebearing.com](http://www.molinebearing.com), [sales@molinebearing.com](mailto:sales@molinebearing.com)

**MOLINE BEARING CO.**

TEL # **800.242.4633**

# M2000 RADIAL LOAD RATINGS

M2000 SPHERICALS

NOMINAL SHAFT DIAMETER (IN)	L10 HRS LIFE	RADIAL LOAD RATINGS AT VARIOUS REVOLUTIONS PER MINUTE								
		50	100	200	500	1000	1200	1500	1800	2500
1 7/16 1 1/2	5000	7300	5930	4810	3660	2970	2780	2630	2490	2260
	10000	5930	4810	3910	2970	2410	2260	2140	2020	1830
	20000	4810	3910	3180	2410	1960	1830	1740	1640	1490
	50000	3660	2970	2410	1830	1490	1390	1320	1250	1130
	100000	2970	2410	1960	1490	1210	1130	1070	1010	919
1 11/16 1 3/4	5000	7660	6220	5050	3840	3120	2910	2760	2610	2370
	10000	6220	5050	4100	3120	2530	2370	2240	2120	1920
	20000	5050	4100	3330	2530	2060	1920	1820	1720	1560
	50000	3840	3120	2530	1920	1560	1460	1380	1310	1190
	100000	3120	2530	2060	1560	1270	1190	1120	1060	964
1 15/16 2	5000	7960	6470	5250	3990	3240	3030	2870	2720	-----
	10000	6470	5250	4270	3240	2630	2460	2330	2210	-----
	20000	5250	4270	3470	2630	2140	2000	1890	1790	-----
	50000	3990	3240	2630	2000	1620	1520	1440	1360	-----
	100000	3240	2630	2140	1620	1320	1230	1170	1110	-----
2 3/16	5000	9850	8000	6500	4940	4010	3750	3550	3360	-----
	10000	8000	6500	5280	4010	3260	3050	2880	2730	-----
	20000	6500	5280	4290	3260	2650	2470	2340	2220	-----
	50000	4940	4010	3260	2470	2010	1880	1780	1680	-----
	100000	4010	3260	2650	2010	1630	1530	1450	1370	-----
2 7/16 2 1/2	5000	14300	11600	9430	7160	5820	5440	5150	4880	-----
	10000	11600	9430	7660	5820	4730	4420	4180	3960	-----
	20000	9430	7660	6220	4730	3840	3590	3400	3220	-----
	50000	7160	5820	4730	3590	2920	2730	2580	2440	-----
	100000	5820	4730	3840	2920	2370	2210	2100	1990	-----

Note: Refer to page 61 for seal speed limits.



## M2000 RADIAL LOAD RATINGS

NOMINAL SHAFT DIAMETER (IN)	L10 HRS LIFE	RADIAL LOAD RATINGS AT VARIOUS REVOLUTIONS PER MINUTE									
		50	100	200	500	1000	1200	1500	1800	2500	
2 11/16	5000	15600	12600	10300	7800	6340	5930	5610	----	----	
	10000	12600	10300	8340	6340	5150	4810	4560	----	----	
	20000	10300	8340	6780	5150	4180	3910	3700	----	----	
	50000	7800	6340	5150	3910	3180	2970	2810	----	----	
3	100000	6340	5150	4180	3180	2580	2410	2280	----	----	
	3 3/16	5000	25250	20510	16660	12660	10280	9730	-----	-----	-----
		10000	20510	16660	13530	10280	8350	7910	-----	-----	-----
		20000	16660	13530	10990	8350	6780	6420	-----	-----	-----
50000		12660	10280	8350	6340	5150	4880	-----	-----	-----	
3 1/2	100000	10280	8350	6780	5150	4180	3960	-----	-----	-----	
	3 11/16	5000	31020	25200	20470	15550	12630	11960	-----	-----	-----
		10000	25200	20470	16620	12630	10260	9710	-----	-----	-----
		20000	20470	16620	13500	10260	8330	7890	-----	-----	-----
50000		15550	12630	10260	7790	6330	5990	-----	-----	-----	
4	100000	12630	10260	8330	6330	5140	4870	-----	-----	-----	
	4 7/16	5000	40700	33050	26850	20400	16570	-----	-----	-----	-----
		10000	33050	26850	21810	16570	13460	-----	-----	-----	-----
		20000	26850	21810	17710	13460	10930	-----	-----	-----	-----
50000		20400	16570	13460	10220	8300	-----	-----	-----	-----	
4 1/2	100000	16570	13460	10930	8300	6740	-----	-----	-----	-----	
	4 15/16	5000	54590	44340	36010	27360	22220	-----	-----	-----	-----
		10000	44340	36010	29250	22220	18050	-----	-----	-----	-----
		20000	36010	29250	23760	18050	14660	-----	-----	-----	-----
50000		27360	22220	18050	13710	11140	-----	-----	-----	-----	
4 5/8	100000	22220	18050	14660	11140	9050	-----	-----	-----	-----	

Note: Refer to page 61 for seal speed limits.



Post Office Box 99, Batavia, Illinois 60510, USA  
 630.584.4600, 800.242.4633, 630.584.1999 fax  
[www.molinebearing.com](http://www.molinebearing.com), [sales@molinebearing.com](mailto:sales@molinebearing.com)

**MOLINE BEARING CO.**

TEL # **800.242.4633**

## M2000 SERIES INTERCHANGE

MOLINE	SKF	BROWNING	DODGE	LINK-BELT	REX
2-Bolt Pillow Block (Pages 48–49) 19121 (Expansion) 19221 (Non-Expansion)	SYR SYR-H	SPB1000E SPB1000NE	P2BS2000R P2BS2000RE	PB22400H PEB22400H	ZA2000 ZAS2000
4-Bolt Pillow Block (Pages 50–51) 19141 (Expansion) 19241 (Non-Expansion)	-----	SPB1000FE SPB1000FNE	P4BS2000R P4BS2000RE	PB22400FH PEB22400FH	ZA2000F ZAS2000F
4-Bolt Flange (Pages 52–53) 19111 (Expansion) 19211 (Non-Expansion)	FYR FYR-H	SFB1000E SFB1000NE	F4BS2000R* F4BS2000RE*	FB22400H FEB22400H	ZB2000*
Piloted Flange (Pages 54–55) 19131 (Expansion) 19231 (Non-Expansion)	FYRP FYRP-H	SFC1000E SFC1000NE	FCS2000R FCS2000RE	FCB22400H	ZBR2000
Wide Slot Take-Up (Pages 56–57) 19151 (Expansion) 19251 (Non-Expansion)	TBR TBR-H	STU1000E STU1000NE	WSTUS2000R WSTUS2000RE	TB22400H	ZT2000

\*Manufacture square and round 4-bolt flange

Note: This is a general dimensional interchange. For exact dimensions and comparison information on inserts and seals, please contact the factory.

For Nomenclature see pages 190–191









**M3000 EVEN-LOK™  
SPHERICAL ROLLER  
BEARINGS**

**The latest addition to the Moline line, the M3000 Even-Lok™ mounted spherical bearing uses a built-in mechanical connector that applies a near 360° concentric grip and almost a 100% interface with the surface of the shaft.**

This unique locking mechanism helps eliminate vibration and slippage between the mating surfaces.

An excellent choice for screening and conveying, material and air handling, or industrial laundry applications, where there are problems with fretting corrosion, slippage on the shaft, or vibration, Moline's M3000 Even-Lok™ spherical roller bearing will help.

Save costly down time and expense by using this exciting new bearing.

The M3000 2-Bolt and 4-Bolt Pillow Blocks, 4-Bolt Flange Bearings, Piloted Flange Bearings and Wide Slot Take-up Bearings are ready to slip onto the shaft when received because they are completely assembled, adjusted, sealed and pre-lubricated at the factory. The self-aligning feature provides for speedy mounting with a minimum of field adjustment required. The housings are ruggedly designed and made in the USA of Class 30 cast iron.

The M3000 Even-Lok™ comes with mounting instructions and an Allen wrench for easy mounting and dismounting.

Our M3000 bearings are comparable to other adapter mounted spherical roller bearings, and are equipped with the SKF Explorer™ Spherical Roller Bearing Insert.

Moline M3000 bearings are available in expansion and non-expansion styles. The expansion units have the capacity to move up to .100". The bearings are available in shaft sizes from 1 $\frac{7}{16}$ " up to 4".

All Moline housings come with a standard paint finish. Other coatings such as Nickel Plating, Epoxy and Teflon are also available. Special machining is also available, please call us at the factory for further information.

Moline M3000 Even-Lok™ Spherical Roller Bearings are carried in Moline warehouses and distributor stocks throughout the United States and in Canada.

M3000 EVEN-LOK™

Solid cast iron housing,  
with center support,  
made in the USA

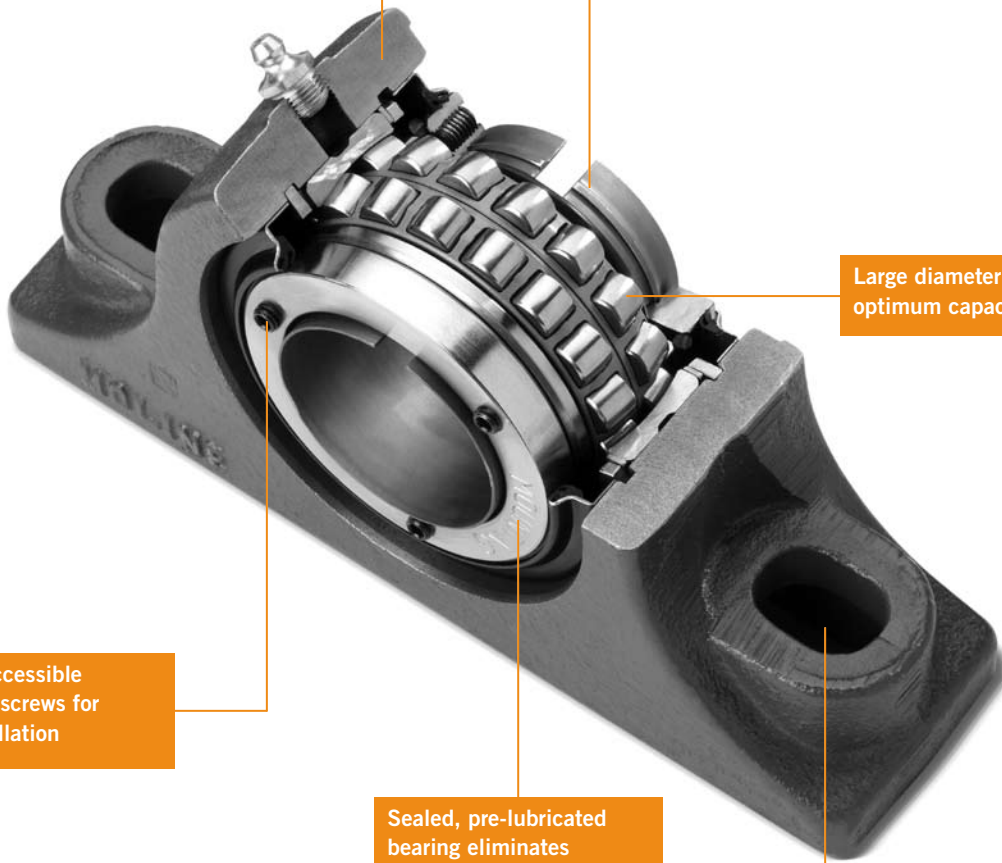
Even-Lok™ bearing provides  
near 360 degree/100%  
interface with shaft

Large diameter rollers for  
optimum capacity

Readily accessible  
mounting screws for  
easy installation

Sealed, pre-lubricated  
bearing eliminates  
most environmental  
contamination

Elongated holes for wide  
range of bolt centers



# FEATURES OF MOLINE M3000 EVEN-LOK™ SPHERICAL ROLLER BEARINGS

## WITH SKF® ROLLER BEARINGS

- Supplies near 360° concentric locking around the shaft which eliminates slippage due to vibration



- Compared to traditional set screw locking, concentric locking reduces fretting corrosion
- Excellent choice for screening and conveying, material and air handling, industrial laundry applications, or any application where vibration, slippage or fretting corrosion is a problem
- Distributes locking force equally through Even-Lok™, reducing the risk of local material failure and particle infiltration in the inner sleeve
- Even-Lok™ is reliable, easy and fast to install and dismount
- Units come completely assembled, sealed and pre-lubricated
- Comes with special Allen wrench for easy mounting and dismounting
- Available in shaft sizes from 1 7/16" to 4"
- +/- 1 1/2° misalignment capacity
- Available in Expansion (red tag) and Non-Expansion (yellow tag) styles
- Expansion units have .100" capacity or .030" per foot of shaft
- Standard grease operating temperature is up to 250°, high temperature grease is 350°, additional lubrication options are available, please call the factory for more information
- Housings available in the standard painted finish, Nickel Plating, Epoxy and Teflon coatings available upon request
- Custom machining and design is available upon request, please call the factory for more information
- Housings are made of Class 30 cast iron in Illinois and Iowa
- Made in the United States

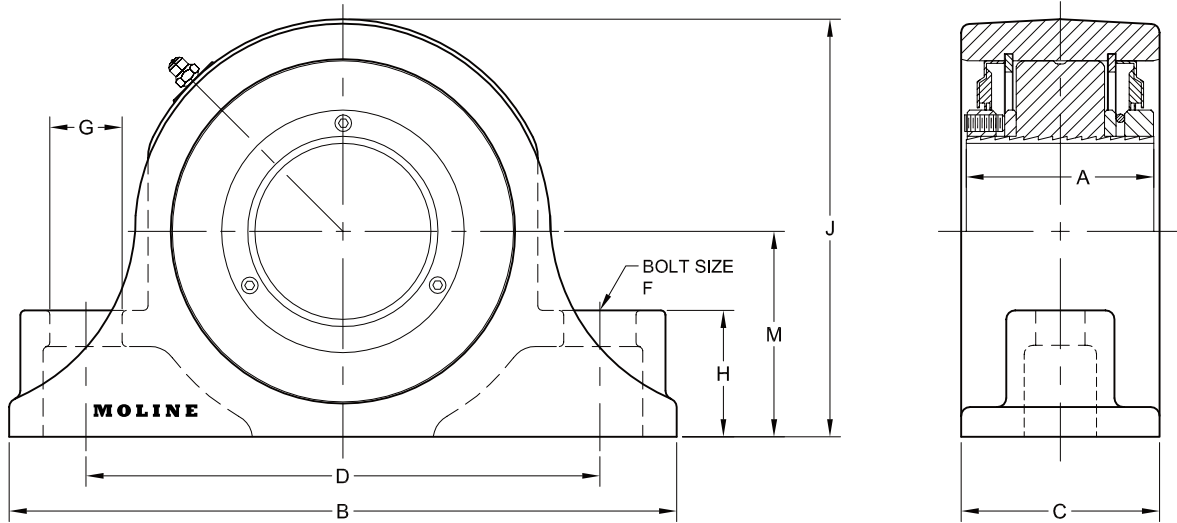
# M3000 EVEN-LOK™ 2-BOLT PILLOW BLOCK

M3000 EVEN-LOK™

SHAFT SIZE	MOLINE PART #		DIMENSIONS (INCHES)									WEIGHT LBS.
	EXP	NON-EXP	A	B	C	D	F	G	H	J	M	
1 7/16 1 1/2	19621107 19621108	19721107 19721108	2 11/32	6 7/8	2 3/16	5	1/2	1 5/16	1 3/16	3 7/8	1 7/8	6.9
1 1 1/16 1 3/4	19621111 19621112	19721111 19721112	2 11/32	7 3/8	2 3/16	5 1/2	1/2	1 5/16	1 5/16	4 1/4	2 1/8	8.1
1 1 5/16 2	19621115 19621200	19721115 19721200	2 11/32	8 3/8	2 3/16	6 1/4	5/8	1	1 3/8	4 9/16	2 1/4	9.1
2 3/16	19621203	19721203	2 11/32	8 7/8	2 1/2	6 3/4	5/8	1	1 5/8	5	2 1/2	11.8
2 7/16 2 1/2	19621207 19621208	19721207 19721208	2 37/64	9 1/4	2 3/4	7 1/8	5/8	1	1 3/4	5 11/16	2 3/4	16.2
2 1 1/16 2 3/4 2 15/16 3	19621211 19621212 19621215 19621300	19721211 19721212 19721215 19721300	2 37/64	10 1/2	2 13/16	8 1/8	3/4	1 1/8	2 1/4	6 7/16	3 1/4	22.1
3 7/16 3 1/2	19621307 19621308	19721307 19721308	3 9/64	13	3 1/4	10	7/8	1 7/16	2 1/4	7 1/2	3 3/4	31.6
3 1 1/16 3 15/16 4	19621311 19621315 19621400	19721311 19721315 19721400	3 9/64	14 1/2	3 9/16	10 7/8	1	1 15/16	2 1/2	8 3/8	4 1/8	45



**M3000 EVEN-LOK™ 2-BOLT PILLOW BLOCK**



M3000 EVEN-LOK™



For personal service and special requests, please call us at 800.242.4633.  
CAD drawings available upon request at no additional charge.

For nomenclature see pages 190 and 191.



**MOLINE BEARING CO.**

Post Office Box 99, Batavia, Illinois 60510, USA  
630.584.4600, 800.242.4633, 630.584.1999 fax  
www.molinebearing.com, sales@molinebearing.com

TEL # **800.242.4633**



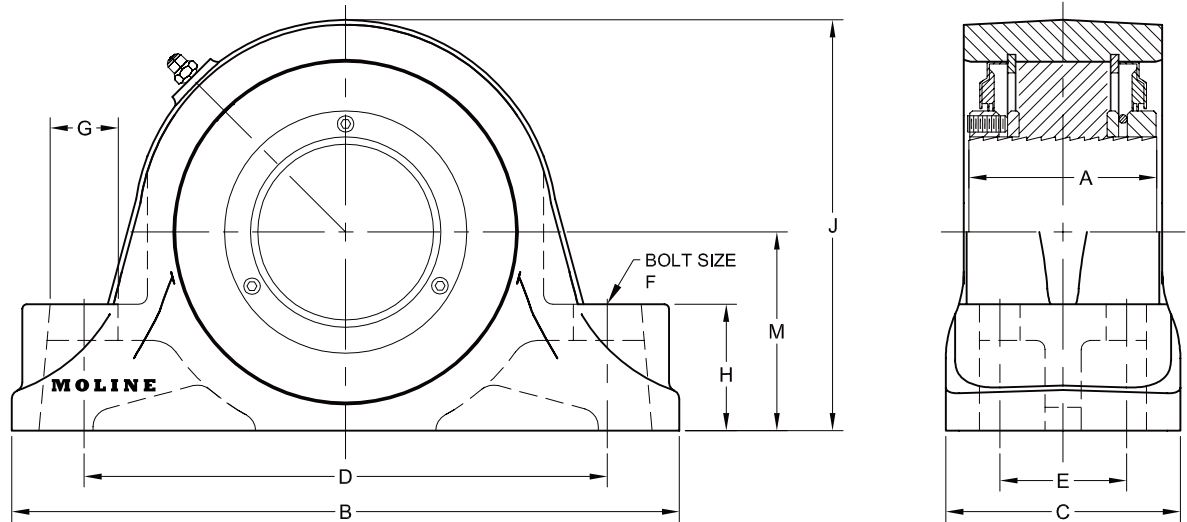
# M3000 EVEN-LOK™ 4-BOLT PILLOW BLOCK

M3000 EVEN-LOK™

SHAFT SIZE	MOLINE PART #		DIMENSIONS (INCHES)										WEIGHT LBS.
	EXP	NON-EXP	A	B	C	D	E	F	G	H	J	M	
2 <sup>7</sup> / <sub>16</sub> 2 <sup>1</sup> / <sub>2</sub>	19641207 19641208	19741207 19741208	2 <sup>37</sup> / <sub>64</sub>	9 <sup>1</sup> / <sub>4</sub>	3 <sup>1</sup> / <sub>4</sub>	7 <sup>1</sup> / <sub>4</sub>	1 <sup>3</sup> / <sub>4</sub>	1/2	1 <sup>5</sup> / <sub>16</sub>	1 <sup>3</sup> / <sub>4</sub>	5 <sup>11</sup> / <sub>16</sub>	2 <sup>3</sup> / <sub>4</sub>	17
2 <sup>11</sup> / <sub>16</sub> 2 <sup>3</sup> / <sub>4</sub> 2 <sup>15</sup> / <sub>16</sub> 3	19641211 19641212 19641215 19641300	19741211 19741212 19741215 19741300	2 <sup>37</sup> / <sub>64</sub>	10 <sup>1</sup> / <sub>2</sub>	3 <sup>3</sup> / <sub>4</sub>	8 <sup>1</sup> / <sub>8</sub>	1 <sup>7</sup> / <sub>8</sub>	5/8	1 <sup>5</sup> / <sub>16</sub>	2 <sup>1</sup> / <sub>4</sub>	6 <sup>7</sup> / <sub>16</sub>	3 <sup>1</sup> / <sub>4</sub>	26
3 <sup>7</sup> / <sub>16</sub> 3 <sup>1</sup> / <sub>2</sub>	19641307 19641308	19741307 19741308	3 <sup>9</sup> / <sub>64</sub>	13	3 <sup>7</sup> / <sub>8</sub>	10	2	3/4	1 <sup>9</sup> / <sub>16</sub>	2 <sup>1</sup> / <sub>4</sub>	7 <sup>1</sup> / <sub>2</sub>	3 <sup>3</sup> / <sub>4</sub>	38
3 <sup>11</sup> / <sub>16</sub> 3 <sup>15</sup> / <sub>16</sub> 4	19641311 19641315 19641400	19741311 19741315 19741400	3 <sup>9</sup> / <sub>64</sub>	15 <sup>1</sup> / <sub>4</sub>	4 <sup>1</sup> / <sub>2</sub>	12	2 <sup>1</sup> / <sub>4</sub>	3/4	1 <sup>13</sup> / <sub>16</sub>	2 <sup>5</sup> / <sub>8</sub>	8 <sup>1</sup> / <sub>2</sub>	4 <sup>1</sup> / <sub>4</sub>	50



# M3000 EVEN-LOK™ 4-BOLT PILLOW BLOCK



M3000 EVEN-LOK™



For personal service and special requests, please call us at 800.242.4633.  
CAD drawings available upon request at no additional charge.

For nomenclature see pages 190 and 191.



Post Office Box 99, Batavia, Illinois 60510, USA  
630.584.4600, 800.242.4633, 630.584.1999 fax  
www.molinebearing.com, sales@molinebearing.com

**MOLINE BEARING CO.**

TEL # **800.242.4633**

75

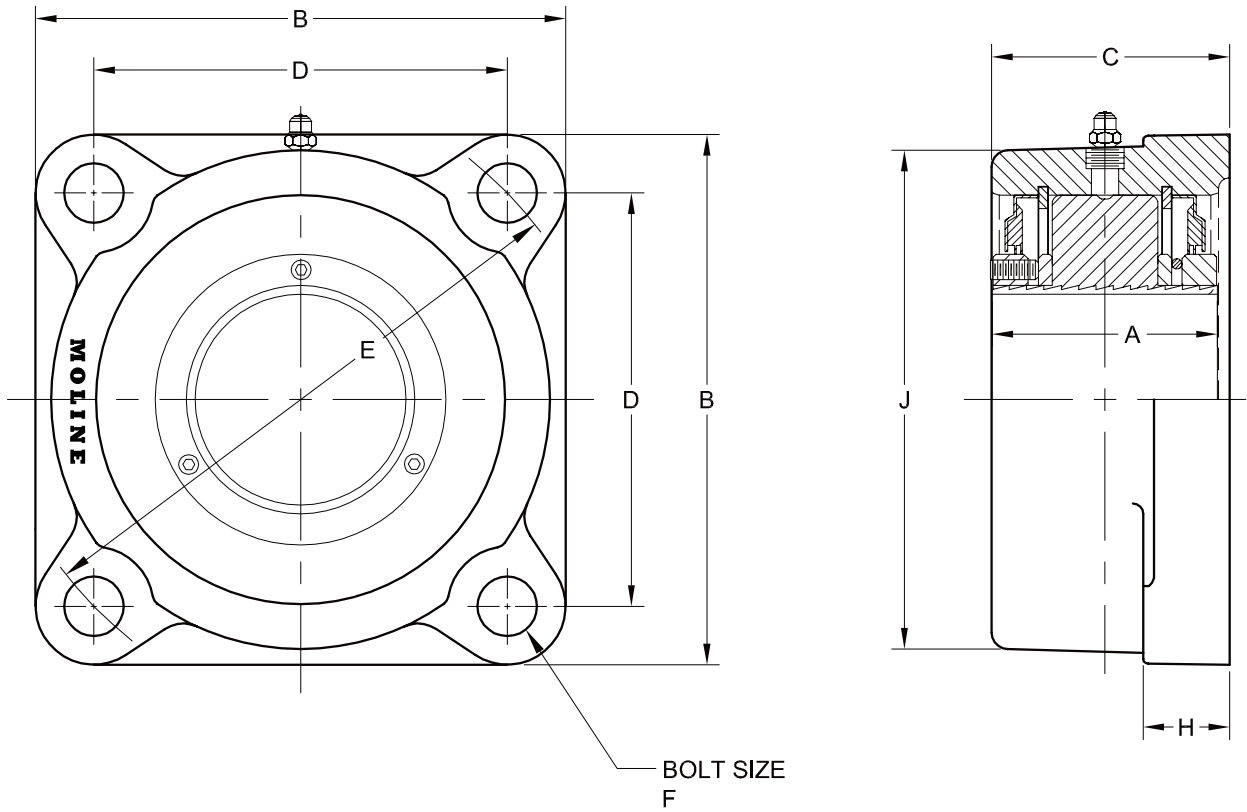
# M3000 EVEN-LOK™ 4-BOLT FLANGE

M3000 EVEN-LOK™

SHAFT SIZE	MOLINE PART #		DIMENSIONS (INCHES)								WEIGHT LBS.
	EXP	NON-EXP	A	B	C	D	E	F	H	J	
1 7/16 1 1/2	19611107 19611108	19711107 19711108	2 11/32	4 5/8	2 1/4	3 17/32	5	1/2	3/4	3 7/8	7
1 11/16 1 3/4	19611111 19611112	19711111 19711112	2 11/32	5	2 1/4	3 57/64	5 1/2	1/2	3/4	4 1/4	10
1 15/16 2	19611115 19611200	19711115 19711200	2 11/32	5 1/4	2 1/4	4 1/16	5 3/4	1/2	3/4	4 1/2	10.5
2 3/16	19611203	19711203	2 11/32	5 7/8	2 7/16	4 1/2	6 3/8	5/8	3/4	5	12.5
2 7/16 2 1/2	19611207 19611208	19711207 19711208	2 37/64	6 1/8	2 3/4	4 49/64	6 3/4	5/8	1	5 3/4	16.5
2 11/16 2 3/4 2 15/16 3	19611211 19611212 19611215 19611300	19711211 19711212 19711215 19711300	2 37/64	7 1/4	2 7/8	5 9/16	7 7/8	3/4	1	6 5/8	25
3 7/16 3 1/2	19611307 19611308	19711307 19711308	3 9/64	8 3/8	3 1/4	6 23/32	9 1/2	3/4	1 1/8	7 5/8	35
3 11/16 3 15/16 4	19611311 19611315 19611400	19711311 19711315 19711400	3 9/64	9 1/2	3 9/16	7 19/32	10 3/4	7/8	1 3/16	8 3/8	48



**M3000 EVEN-LOK™ 4-BOLT FLANGE**



M3000 EVEN-LOK™



For personal service and special requests, please call us at 800.242.4633.  
CAD drawings available upon request at no additional charge.

For nomenclature see pages 190 and 191.



Post Office Box 99, Batavia, Illinois 60510, USA  
630.584.4600, 800.242.4633, 630.584.1999 fax  
www.molinebearing.com, sales@molinebearing.com

**MOLINE BEARING CO.**

TEL # **800.242.4633**

77

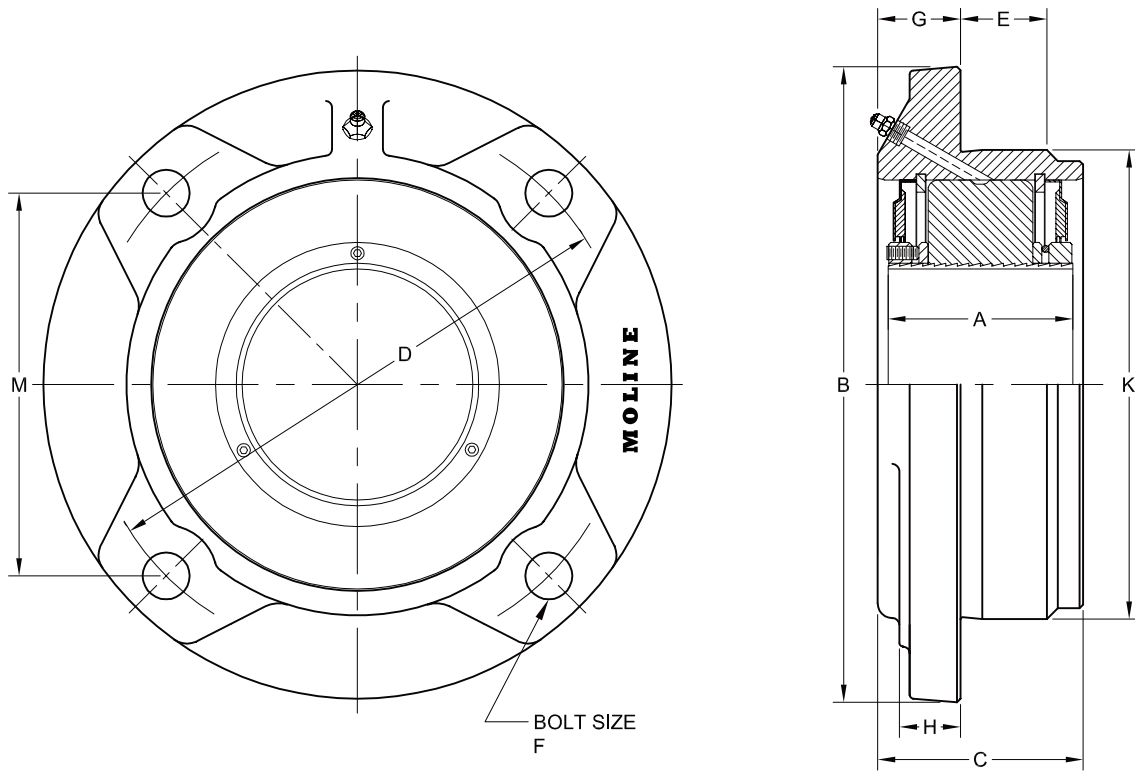
# M3000 EVEN-LOK™ PILOTED FLANGE CARTRIDGE

M3000 EVEN-LOK™

SHAFT SIZE	MOLINE PART #		DIMENSIONS (INCHES)										WEIGHT LBS.
	EXP	NON-EXP	A	B	C	D	E	F	G	H	K	M	
1 7/16 1 1/2	19631107 19631108	19731107 19731108	2 11/32	5 1/4	2 1/16	4 3/8	1 9/32	3/8	13/16	1/2	3 5/8	3 3/32	7
1 11/16 1 3/4	19631111 19631112	19731111 19731112	2 11/32	6 1/8	2 3/16	5 1/8	7/8	7/16	3/4	1/2	4 1/4	3 5/8	8.5
1 15/16 2	19631115 19631200	19731115 19731200	2 11/32	6 3/8	2 3/16	5 3/8	7/8	7/16	1 1/16	1/2	4 1/2	3 5/64	10.5
2 3/16	19631203	19731203	2 11/32	7 1/8	2 7/16	6	1	1/2	15/16	1/2	5	4 1/4	14.5
2 7/16 2 1/2	19631207 19631208	19731207 19731208	2 37/64	7 5/8	2 11/16	6 1/2	1	1/2	1 1/16	5/8	5 1/2	4 19/32	16
2 11/16 2 3/4 2 15/16 3	19631211 19631212 19631215 19631300	19731211 19731212 19731215 19731300	2 37/64	8 3/4	2 13/16	7 1/2	1 1/4	5/8	1	3/4	6 3/8	5 19/64	22
3 7/16 3 1/2	19631307 19631308	19731307 19731308	3 9/64	10 1/4	3 1/4	8 5/8	1 1/4	3/4	1 1/2	15/16	7 3/8	6 3/32	33
3 11/16 3 15/16 4	19631311 19631315 19631400	19731311 19731315 19731400	3 9/64	10 7/8	3 9/16	9 3/8	1 1/2	3/4	1 7/16	1 1/16	8 1/8	6 5/8	45



**M3000 EVEN-LOK™ PILOTED FLANGE CARTRIDGE**



M3000 EVEN-LOK™



For personal service and special requests, please call us at 800.242.4633.  
CAD drawings available upon request at no additional charge.

For nomenclature see pages 190 and 191.



Post Office Box 99, Batavia, Illinois 60510, USA  
630.584.4600, 800.242.4633, 630.584.1999 fax  
www.molinebearing.com, sales@molinebearing.com

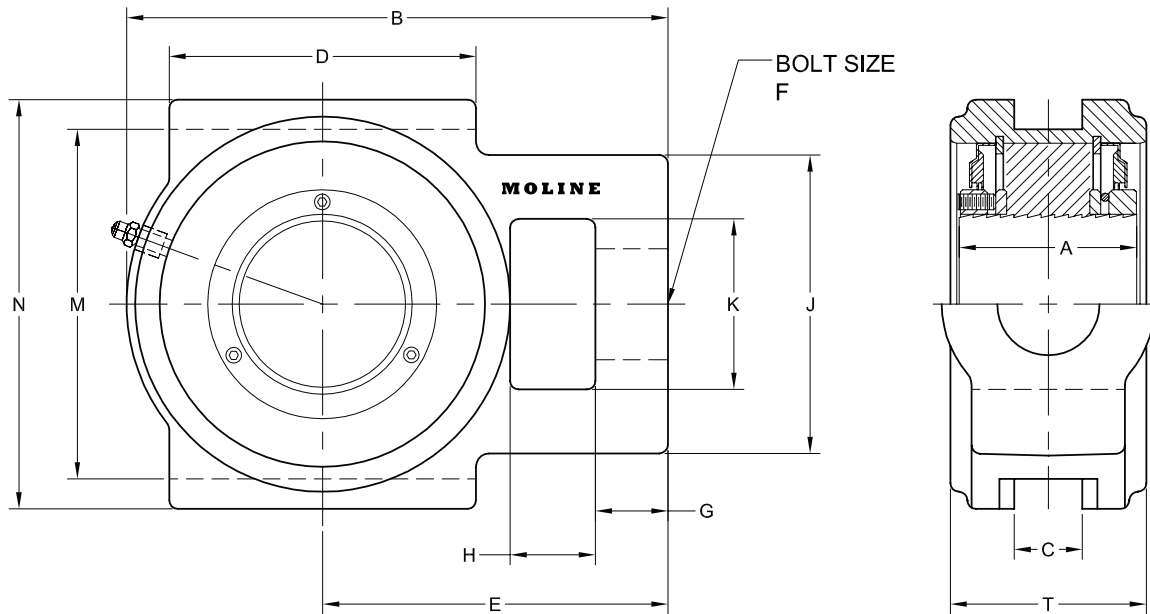
**MOLINE BEARING CO.**

TEL # **800.242.4633**

# M3000 EVEN-LOK™ WIDE SLOT TAKE-UP

M3000 EVEN-LOK™

SHAFT SIZE	MOLINE PART #		DIMENSIONS (INCHES)				
	EXP	NON-EXP	A	B	C	D	E
1 15/16 2	19651115 19651200	19751115 19751200	2 11/32	6 5/16	1 1/16	3 3/4	3 15/16
2 3/16	19651203	19751203	2 11/32	7 1/8	1 3/16	3 3/4	4 5/8
2 7/16 2 1/2	19651207 19651208	19751207 19751208	2 37/64	7 13/16	1 1/32	4 1/2	5 1/16
2 11/16 2 3/4 2 15/16 3	19651211 19651212 19651215 19651300	19751211 19751212 19751215 19751300	2 37/64	9 1/8	1 25/32	4 3/4	5 7/8



## M3000 EVEN-LOK™ WIDE SLOT TAKE-UP

SHAFT SIZE	DIMENSIONS (INCHES)								WEIGHT LBS.
	F	G	H	J	K	M	N	T	
1 <sup>15</sup> / <sub>16</sub> 2	1	1 <sup>5</sup> / <sub>16</sub>	3/4	3 <sup>5</sup> / <sub>16</sub>	1 <sup>15</sup> / <sub>16</sub>	4	4 <sup>3</sup> / <sub>4</sub>	2 <sup>7</sup> / <sub>16</sub>	12
2 <sup>3</sup> / <sub>16</sub>	1 <sup>1</sup> / <sub>8</sub>	1	1	3 <sup>7</sup> / <sub>8</sub>	2 <sup>1</sup> / <sub>4</sub>	4 <sup>1</sup> / <sub>2</sub>	5 <sup>1</sup> / <sub>4</sub>	2 <sup>9</sup> / <sub>16</sub>	16
2 <sup>7</sup> / <sub>16</sub> 2 <sup>1</sup> / <sub>2</sub>	1 <sup>1</sup> / <sub>2</sub>	1 <sup>1</sup> / <sub>16</sub>	1 <sup>1</sup> / <sub>4</sub>	4 <sup>1</sup> / <sub>4</sub>	2 <sup>1</sup> / <sub>2</sub>	5 <sup>1</sup> / <sub>8</sub>	6	2 <sup>3</sup> / <sub>4</sub>	21
2 <sup>11</sup> / <sub>16</sub> 2 <sup>3</sup> / <sub>4</sub> 2 <sup>15</sup> / <sub>16</sub> 3	1 <sup>1</sup> / <sub>2</sub>	1 <sup>3</sup> / <sub>8</sub>	1 <sup>1</sup> / <sub>4</sub>	4 <sup>7</sup> / <sub>8</sub>	2 <sup>3</sup> / <sub>4</sub>	5 <sup>15</sup> / <sub>16</sub>	6 <sup>3</sup> / <sub>4</sub>	3	30

M3000 EVEN-LOK™



For personal service and special requests, please call us at 800.242.4633.

CAD drawings available upon request at no additional charge.

For nomenclature see pages 190 and 191.



**MOLINE BEARING CO.**

Post Office Box 99, Batavia, Illinois 60510, USA  
630.584.4600, 800.242.4633, 630.584.1999 fax  
www.molinebearing.com, sales@molinebearing.com

TEL # **800.242.4633**

81



# M3000 EVEN-LOK™ APPLICATION GUIDE

At Moline, our goal is to provide you with the most reliable products, helpful service, and expert support. We work to make our mounting instructions clear and easy to understand. But if you have further questions, please feel free to call 800.242.4633 or e-mail support@molinebearing.com. We are here to help.

## MOUNTING INSTRUCTIONS

**PLEASE NOTE: BEFORE MOUNTING, MAKE SURE THERE IS SUFFICIENT CLEARANCE TO ACCESS DISMOUNTING SET SCREWS ON BACK OF UNIT (YELLOW PLASTIC PROTECTION PLUGS).**

- Do not remove plastic end cap or plastic protection plugs inserted in the set screw holes until you are ready to install bearing onto shaft.
- Do not disassemble bearing prior to installation.
- Do not tighten any mounting screws prior to installation.
- Use only the supplied Even-lok™ wrench for tightening set screws on bearing. After storage or idle period, add a little fresh grease before running.

For optimum bearing performance, it is important to start the mounting process with a shaft that is free of burrs and dirt. Please review your shaft and file down burrs and wipe clean the lubricate shaft with light oil. Check shaft diameter and review recommended shaft tolerances below:

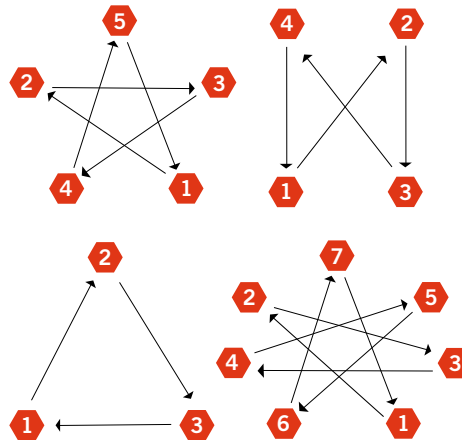
SHAFT DIAMETER	TOLERANCE
1 7/16"–1 15/16"	+.000" to -.003"
2"– 4"	+.000" to -.004"

1. Clean the base of the bearing and support surface on which it rests. Be sure the supporting surface is flat. If the bearing elevation must be adjusted by shims, the shims MUST extend the full length and width of the support surface.

2. Slide the bearing, with the mounting side facing outward, on the shaft where the unit is to be secured. Leave 1 1/2" minimum housing spacing to allow for insertion of an Allen wrench in the dismantling side set screws. Bolt the housing securely to the support. Note: The mounting side of the bearing is the side which does not have the yellow plastic protection plugs inserted in the set screw holes.
3. The non-expansion bearing must be centered in the housing to allow for axial shaft expansion. Move the bearing axially in the housing in both directions as far as it will go and determine the centered position. It will be necessary to relieve the bearing load while moving the assembly.
4. Snug the mounting screws located in the mounting side collar to finger tightness holding the short leg of the supplied Even-lok™ wrench. Tighten the mounting screws a total of 1/2 turn by alternately tightening in two increments (1/4 turn and 1/4 turn). Please refer to the following diagram for proper tightening pattern for each bearing size:

## M3000 TIGHTENING PATTERNS

5. Tighten each set screw until the long end of the Even-lok™ wrench bows 1/2" under finger pressure. Caution: Do not use auxiliary equipment such as a hammer or pipe in tightening the screws.



# M3000 EVEN-LOK™ APPLICATION GUIDE

## DISMOUNTING INSTRUCTIONS

1. Retighten the mounting side set screws until the long end of the Even-Lok™ wrench bows ½" under finger pressure only.
2. Loosen the mounting side set screws 1-2 full turns.
3. Using a screw driver or other suitable tool, remove and discard the 2 plastic protection plugs.
4. Alternately tighten the dismantling screws in ¼ turn increments until the bearing is released from the shaft. You should hear a distinctive "pop" indicating release.
5. Loosen the dismantling set screws, unbolt the housing from the support structure and remove the complete assembled unit from the shaft.

Note: If the bearing unit will not slip off the shaft during removal, do not continue to further tighten the dismantling set screws. This may tend to reverse tighten the bearing to the shaft. In the unlikely event that reverse tightening occurs, loosen the dismantling screws and retighten the screws on the mounting collar side following instructions. Repeat the dismantling procedure Steps 2 through 5.

## LUBRICATION INSTRUCTIONS

This bearing is factory lubricated with No. 2 consistency lithium base grease which is suitable for most applications. However, extra protection is necessary if bearing is subjected to excessive moisture, dust, or corrosive vapor. In these cases, bearing should contain as much grease as speed will permit (a full bearing with consequent slight leakage through the seal is the best protection against contaminant entry).

## Lubrication Guide

Read preceding paragraphs before establishing lubrication schedule.

HOURS RUN PER DAY	SUGGESTED LUBRICATION PERIOD IN WEEKS							
	1 TO 250 RPM	251 TO 500 RPM	501 TO 750 RPM	751 TO 1000 RPM	1001 TO 1500 RPM	1501 TO 2000 RPM	2001 TO 2500 RPM	2501 TO 3000 RPM
8	12	12	10	7	5	4	3	2
16	12	7	5	4	2	2	2	1
24	12	5	3	2	1	1	1	1

In extremely dirty environments, the bearing should be purged daily to flush out contaminants. For added protection, it is advisable to shroud the bearing from falling material.

## High Speed Operation

At higher operating speed, too much grease may cause overheating. In these cases, the amount of lubrication can only be determined by experience. If excess grease in the bearing causes overheating, it will be necessary to remove grease fittings and run for 10 minutes. This will allow excess grease to escape. Then wipe off excess grease and replace grease fittings.

In higher speed applications, a small amount of grease at frequent intervals is preferable to a large amount at long intervals. However, the proper volume and interval of lubrication can best be determined by experience.

The following table is a general guide for normal operating conditions. However, some situations may require a change in lubricating periods as dictated by experience. If the bearing is exposed to unusual operating conditions, consult a reputable grease manufacturer.

## LUBRICATION GUIDE

Read preceding paragraphs before establishing lubrication schedule.

Abnormal bearing temperatures may indicate insufficient lubrication. If the housing is too hot to touch for more than a few seconds, check the temperature by applying a thermometer at the top of the pillow block with the thermometer tip surrounded by putty.



**MOLINE BEARING CO.**

Post Office Box 99, Batavia, Illinois 60510, USA  
630.584.4600, 800.242.4633, 630.584.1999 fax  
www.molinebearing.com, sales@molinebearing.com

TEL # **800.242.4633**

83

Because the thermometer reading will be approximately 10°F. lower than the actual bearing temperature, add ten degrees to the reading and compare to the temperature rating of your grease. If the bearing temperature reading is consistent and operating within the recommended limits of your grease, the bearing is operating satisfactorily.

If equipment will be idle for some time, before shutting down, add grease to the bearing until grease purges from the seals. This will ensure protection of the bearing, particularly when exposed to severe environmental conditions. After storage or idle period, add fresh grease to the bearing before starting.

### SPECIAL OPERATING CONDITIONS

Refer acid, chemical, extreme or other special operating conditions to the Moline Bearing Company.

Moline spherical bearings have the capacity to carry substantial radial loads, thrust loads or a combined radial and thrust load. The maximum load that can be applied is limited by the various components in the system, and the life requirements listed in this catalog. The factory should be consulted on any application that exceeds the recommendations in the catalog.

Select a bearing from the M3000 load-rating chart having a radial load rating at the operating speed equal to or greater than the calculated Equivalent Radial Load for a desired L10 life. This simple method is all that is necessary for most general applications and provides for occasional shock loads.

L10 Hours of Life - Is the life that may be expected from at least 90% of a given group of bearings operated under identical conditions. The average life (L50) will be approximately five times the L10 life.



## M3000 EVEN-LOK™ APPLICATION GUIDE CONTINUED

### M3000 Even-Lok™ Thrust Factors and Seal Speed

SHAFT SIZE	E	LIGHT THRUST IF FA/FR ≤ E		HEAVY THRUST IF FA/FR ≥ E		DYNAMIC CAPACITY C*		STANDARD SEAL RPM	MAXIMUM SLIP FIT RADIAL LOAD FR**
		X	Y	X	Y	LBS.	NEWTONS		
1 7/16 - 1 1/2	.28	1.0	2.4	.67	3.6	16500	73600	2800	2000
1 11/16 - 1 3/4	.26	1.0	2.6	.67	3.9	17300	77100	2650	2100
1 15/16 - 2	.24	1.0	2.8	.67	4.2	19000	84500	2400	2300
2 3/16	.23	1.0	2.9	.67	4.3	22400	99500	2150	2700
2 7/16 - 2 1/2	.24	1.0	2.8	.67	4.2	33300	148000	1800	4000
2 11/16 - 3	.22	1.0	3.1	.67	4.6	34600	158000	1600	4200
3 3/16 - 3 1/2	.23	1.0	2.9	.67	4.3	56900	253000	1300	6800
3 11/16 - 4	.24	1.0	2.8	.67	4.2	69900	311000	1200	8400

\* Comparing Spherical to Tapered Roller Bearings—The dynamic capacity C (Spherical) and C90 (Tapered) are not the same base. To compare basic dynamic capacities, multiply C x .259 and compare to C90. To select and then compare, use the complete procedure for each bearing and then compare.

\*\* If load exceeds maximum allowable slip fit radial load, snug to light press fit of shaft is required.



Post Office Box 99, Batavia, Illinois 60510, USA  
 630.584.4600, 800.242.4633, 630.584.1999 fax  
[www.molinebearing.com](http://www.molinebearing.com), [sales@molinebearing.com](mailto:sales@molinebearing.com)

**MOLINE BEARING CO.**

TEL # **800.242.4633**

# M3000 EVEN-LOK™ RADIAL LOAD RATINGS

M3000 EVEN-LOK™

NOMINAL SHAFT DIAMETER (IN)	L10 HRS LIFE	RADIAL LOAD RATINGS AT VARIOUS REVOLUTIONS PER MINUTE								
		50	100	200	500	1000	1200	1500	1800	2500
1 7/16 1 1/2	5000	7300	5930	4810	3660	2970	2780	2630	2490	2260
	10000	5930	4810	3910	2970	2410	2260	2140	2020	1830
	20000	4810	3910	3180	2410	1960	1830	1740	1640	1490
	50000	3660	2970	2410	1830	1490	1390	1320	1250	1130
	100000	2970	2410	1960	1490	1210	1130	1070	1010	919
1 11/16 1 3/4	5000	7660	6220	5050	3840	3120	2910	2760	2610	2370
	10000	6220	5050	4100	3120	2530	2370	2240	2120	1920
	20000	5050	4100	3330	2530	2060	1920	1820	1720	1560
	50000	3840	3120	2530	1920	1560	1460	1380	1310	1190
	100000	3120	2530	2060	1560	1270	1190	1120	1060	964
1 15/16 2	5000	7960	6470	5250	3990	3240	3030	2870	2720	-----
	10000	6470	5250	4270	3240	2630	2460	2330	2210	-----
	20000	5250	4270	3470	2630	2140	2000	1890	1790	-----
	50000	3990	3240	2630	2000	1620	1520	1440	1360	-----
	100000	3240	2630	2140	1620	1320	1230	1170	1110	-----
2 3/16	5000	9850	8000	6500	4940	4010	3750	3550	3360	-----
	10000	8000	6500	5280	4010	3260	3050	2880	2730	-----
	20000	6500	5280	4290	3260	2650	2470	2340	2220	-----
	50000	4940	4010	3260	2470	2010	1880	1780	1680	-----
	100000	4010	3260	2650	2010	1630	1530	1450	1370	-----
2 7/16 2 1/2	5000	14300	11600	9430	7160	5820	5440	5150	4880	-----
	10000	11600	9430	7660	5820	4730	4420	4180	3960	-----
	20000	9430	7660	6220	4730	3840	3590	3400	3220	-----
	50000	7160	5820	4730	3590	2920	2730	2580	2440	-----
	100000	5820	4730	3840	2920	2370	2210	2100	1990	-----
2 11/16 2 3/4 2 15/16 3	5000	15600	12600	10300	7800	6340	5930	5610	-----	-----
	10000	12600	10300	8340	6340	5150	4810	4560	-----	-----
	20000	10300	8340	6780	5150	4180	3910	3700	-----	-----
	50000	7800	6340	5150	3910	3180	2970	2810	-----	-----
	100000	6340	5150	4180	3180	2580	2410	2280	-----	-----
3 3/16 3 7/16 3 1/2	5000	25250	20510	16660	12660	10280	9730	-----	-----	-----
	10000	20510	16660	13530	10280	8350	7910	-----	-----	-----
	20000	16660	13530	10990	8350	6780	6420	-----	-----	-----
	50000	12660	10280	8350	6340	5150	4880	-----	-----	-----
	100000	10280	8350	6780	5150	4180	3960	-----	-----	-----
3 11/16 3 15/16 4	5000	31020	25200	20470	15550	12630	11960	-----	-----	-----
	10000	25200	20470	16620	12630	10260	9710	-----	-----	-----
	20000	20470	16620	13500	10260	8330	7890	-----	-----	-----
	50000	15550	12630	10260	7790	6330	5990	-----	-----	-----
	100000	12630	10260	8330	6330	5140	4870	-----	-----	-----



## M3000 EVEN-LOK™ SERIES INTERCHANGE

MOLINE	SKF CONCENTRA™	SEALMASTER SLEEVLOC™	REX SHURLOK™ ADAPTOR MOUNTED	DODGE IMPERIAL
2-Bolt Pillow Block (Pages 72–73) 19621 (Expansion) 19721 (Non-Expansion)	SYR-N SYR-NH	SPB2000-C2 EPB2000-C2	ZA6000 ZAS6000	P2BIP <i>or</i> 0694
4-Bolt Pillow Block (Pages 74–75) 19641 (Expansion) 19741 (Non-Expansion)	FSYR-N FSYR-NH	SPB2000-C4 ESPB2000-C4	ZA6000-F ZAS6000-F	P4BIP <i>or</i> 0695
4-Bolt Flange (Pages 76–77) 19611 (Expansion) 19711 (Non-Expansion)	FYR-N* FYR-NH*	SFB2000-C ESFB2000-C	ZF6000* ZFS6000*	F4SIP <i>or</i> 0697
Piloted Flange (Pages 78–79) 19631 (Expansion) 19731 (Non-Expansion)	FYRP-N FYRP-NH	SFC2000-C ESFC2000-C	ZBR6000	FCIP <i>or</i> 0698
Wide Slot Take-Up (Pages 80–81) 19651 (Expansion) 19751 (Non-Expansion)	TBR-N TBR-NH	STU2000-C ESTU2000-C	ZT-6000	WSTUIP <i>or</i> 0693

All units have tapered adaptor style locking mechanism.

\*Manufacture square and round 4-bolt flange

Before mounting, make sure there is sufficient clearance to access dismounting set screws on back of unit.

Note: This is a general dimensional interchange. For exact dimensions and comparison information on inserts and seals, please contact the factory.

For Nomenclature see pages 190–191



**MOLINE BEARING CO.**

Post Office Box 99, Batavia, Illinois 60510, USA  
630.584.4600, 800.242.4633, 630.584.1999 fax  
www.molinebearing.com, sales@molinebearing.com

TEL # **800.242.4633**

87

M3000 EVEN-LOK™



# **MOUNTED BALL BEARINGS**



**Moline Bearing's Normal Duty Mounted Ball Bearings consist of a single row deep groove ball bearing and cast iron housings. These are available in wide range of shaft sizes in 2-Bolt Pillow Blocks, 2-Bolt and 4-Bolt Flanges, Piloted Flange and Wide Slot Take-Up units.**

The self-contained bearing with a spherical ground outside diameter is assembled into a corresponding spherical seat of the housing, providing full self-alignment of the bearing in the housing at mounting. Moline's Mounted Ball Bearings are supplied from the factory in shaft-ready condition.

For set screw locking units (UC series), the inner rings of the bearing are through hardened in the raceway, while the extended ring where the set screws are installed is metallurgically mild and softened. This unique heat treatment ensures full bearing performance and prevents the set screws from loosening during operation. Thus, the set screws can be tightened as needed without causing cracks on the inner ring.

Moline's eccentric locking units (HC series) are considered the easiest units to install. These units eliminate the need for lock nuts, washers and adapters. Eccentric units grip the shaft securely and self-tighten. The unit is secured to the shaft by rotating the collar relative to the inner ring. A set screw is supplied to allow supplementary locking and to prevent loosening in case of any sudden reverse action. Eccentric locking units should not be used, however, for bi-directional applications.

We sell these bearings as complete units or as separate components (inserts and housings).

All ball bearing housings come with a standard paint finish. Other coatings such as Nickel plating, Epoxy and Teflon coating are also available. Special machining is also available, please call us at the factory for further information.

These Mounted Ball Bearings are carried in Moline warehouses and distributor stocks throughout the United States and in Canada.

## **FEATURES OF MOLINE NORMAL DUTY MOUNTED BALL BEARINGS**

---

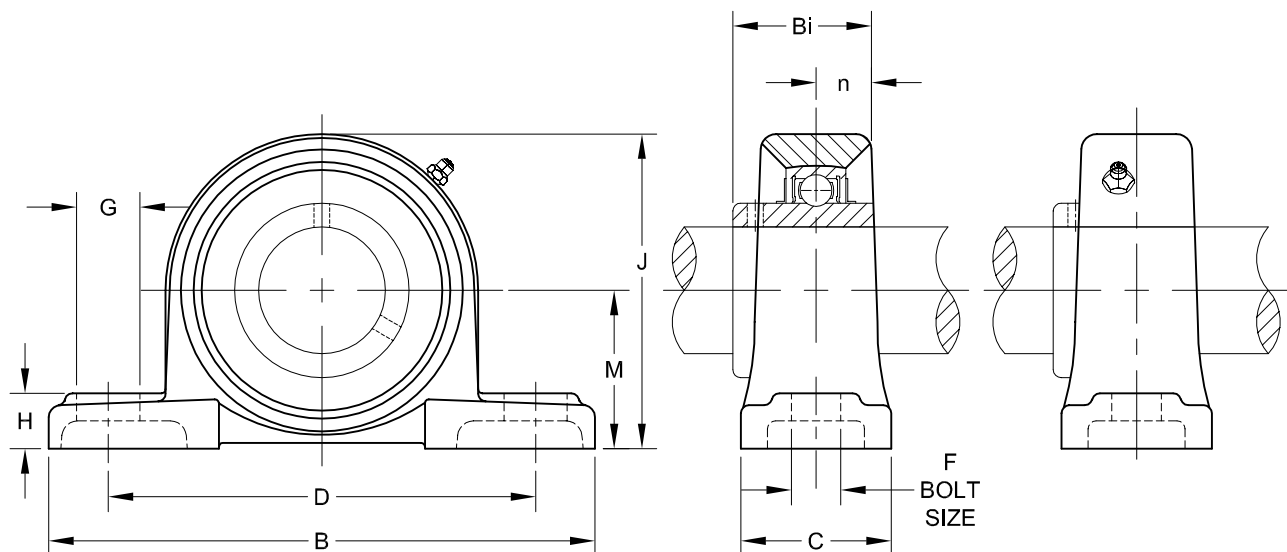
- Available in sizes from ½" to 3 7/16"
- Easy installation and maintenance
- Supplied from factory in shaft-ready condition
- Dimensionally interchangeable with comparable units
- Fully self-aligning
- Standard grease fitting for re-lubrication
- Contact seals are standard
- Wide inner ring for rigidity and more effective set screw locking
- Single piece housings made of Class 30 cast iron
- Operating temperatures up to 200° F
- Housings available in standard painted finish
- Nickel plating, Epoxy, Teflon and other coatings are available upon request
- Custom machining and design is available
- Available for sale as complete units, inserts and housings

# MOUNTED BALL BEARING 2-BOLT PILLOW BLOCK

UCP 200 Series—Normal Duty Set Screw Locking Collar

SHAFT SIZE	MOLINE PART #	UNIT #	DIMENSIONS (INCHES)				
			M	B	D	C	F
1/2 5/8 3/4	19421008 19421010 19421012	UCP201-8 UCP202-10 UCP204-12	1 5/16	5	3.779	1.456	1/2
7/8 15/16 1	19421014 19421015 19421100	UCP205-14 UCP205-15 UCP205-16	1 7/16	5 1/2	4 1/8	1 1/2	1/2
1 1/8 1 3/16 1 1/4	19421102 19421103 19421104-06	UCP206-18 UCP206-19 UCP206-20	1 11/16	6.30	4 3/4	1.732	.551
1 1/4 1 5/16 1 3/8 1 7/16	19421104 19421105 19421106 19421107	UCP207-20 UCP207-21 UCP207-22 UCP207-23	1 7/8	6.575	5	1-7/8	.590
1 1/2 1 9/16	19421108 19421109	UCP208-24 UCP208-25	1 15/16	7.09	5.354	2.047	.590

For sale as complete units, inserts and housings.



## MOUNTED BALL BEARING 2-BOLT PILLOW BLOCK

SHAFT SIZE	DIMENSIONS (INCHES)					BOLT SIZE (INCHES)	WEIGHT LBS.
	G	H	J	Bi	n		
1/2 5/8 3/4	.630	.551	2.511	1.22	0.500	3/8	1.43
7/8 15/16 1	3/4	.590	2.736	1.339	0.563	3/8	1.59
1 1/8 1 3/16 1 1/4	3/4	.630	3.228	1.50	0.626	1/2	2.54
1 1/4 1 5/16 1 3/8 1 7/16	3/4	.669	3.622	1.689	0.689	1/2	3.37
1 1/2 1 9/16	13/16	.709	3.858	1.937	0.748	1/2	4.14

MOUNTED BEARINGS



For personal service and special requests, please call us at 800.242.4633.

CAD drawings available upon request at no additional charge.

**For nomenclature see pages 190 and 191.**



Post Office Box 99, Batavia, Illinois 60510, USA  
630.584.4600, 800.242.4633, 630.584.1999 fax  
www.molinebearing.com, sales@molinebearing.com

**MOLINE BEARING CO.**

TEL # **800.242.4633**

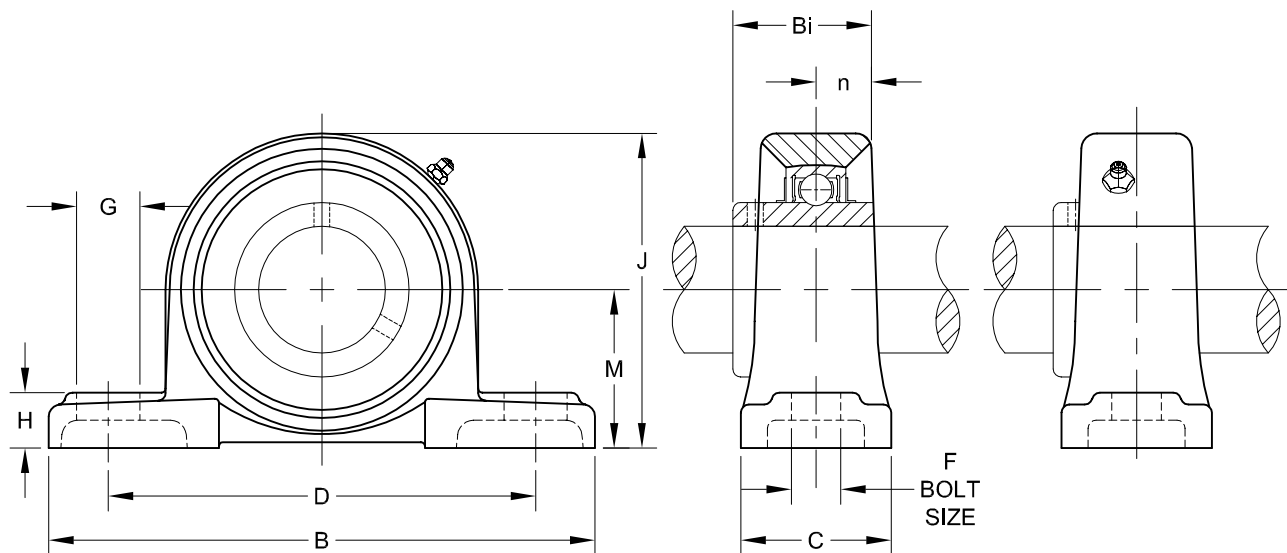
93

## MOUNTED BALL BEARING 2-BOLT PILLOW BLOCK CONTINUED

### UCP 200 Series—Normal Duty Set Screw Locking Collar

SHAFT SIZE	MOLINE PART #	UNIT #	DIMENSIONS (INCHES)				
			M	B	D	C	F
1 5/8	19421110	UCP209-26	2 1/8	7.44	5 3/4	2-1/8	.590
1 11/16	19421111	UCP209-27					
1 3/4	19421112	UCP209-28					
1 7/8	19421114	UCP210-30	2 1/4	8.031	6 1/4	2.244	3/4
1 15/16	19421115	UCP210-31					
2	19421200-10	UCP210-32					
2	19421200	UCP211-32	2 1/2	8.543	6.771	2-3/8	3/4
2 1/8	19421202	UCP211-34					
2 3/16	19421203	UCP211-35					
2 1/4	19421204	UCP212-36	2 3/4	9.370	7.323	2.598	3/4
2 3/8	19421206	UCP212-38					
2 7/16	19421207	UCP212-39					
2 1/2	19421208	UCP213-40	3	10.315	8	2 3/4	.905
2 3/4	19421212	UCP214-44	3 1/8	10.472	8.268	2.834	.905
2 15/16	19421215	UCP215-47	3 1/4	10.787	8.543	2.913	.984
3	19421300	UCP215-48					
3 7/16	19421307	UCP218-55	4	12.835	10.315	3.465	1.05

For sale as complete units, inserts and housings.



**MOUNTED BALL BEARING 2-BOLT PILLOW BLOCK CONTINUED**

SHAFT SIZE	DIMENSIONS (INCHES)					BOLT SIZE (INCHES)	WEIGHT LBS.
	G	H	J	Bi	n		
1 5/8 1 11/16 1 3/4	13/16	.787	4.153	1.937	0.748	1/2	4.63
1 7/8 1 15/16 2	.866	.827	4.417	2.031	0.748	5/8	5.51
2 2 1/8 2 3/16	.866	.866	4.901	2.189	0.874	5/8	7.28
2 1/4 2 3/8 2 7/16	.984	.945	5.394	2.563	1.000	5/8	12.13
2 1/2	1.142	1.023	5.866	2.566	1.000	3/4	12.35
2 3/4	1.142	1.063	6.102	2.937	1.189	3/4	14.55
2 15/16 3	1.142	1.102	6.363	3.063	1.311	3/4	16.09
3 1/16	1.181	1.30	7.795	3.78	1.563	7/8	32.40

MOUNTED BEARINGS



For personal service and special requests, please call us at 800.242.4633.  
CAD drawings available upon request at no additional charge.

**For nomenclature see pages 190 and 191.**



Post Office Box 99, Batavia, Illinois 60510, USA  
630.584.4600, 800.242.4633, 630.584.1999 fax  
www.molinebearing.com, sales@molinebearing.com

**MOLINE BEARING CO.**

TEL # **800.242.4633**

# MOUNTED BALL BEARING 2-BOLT FLANGE

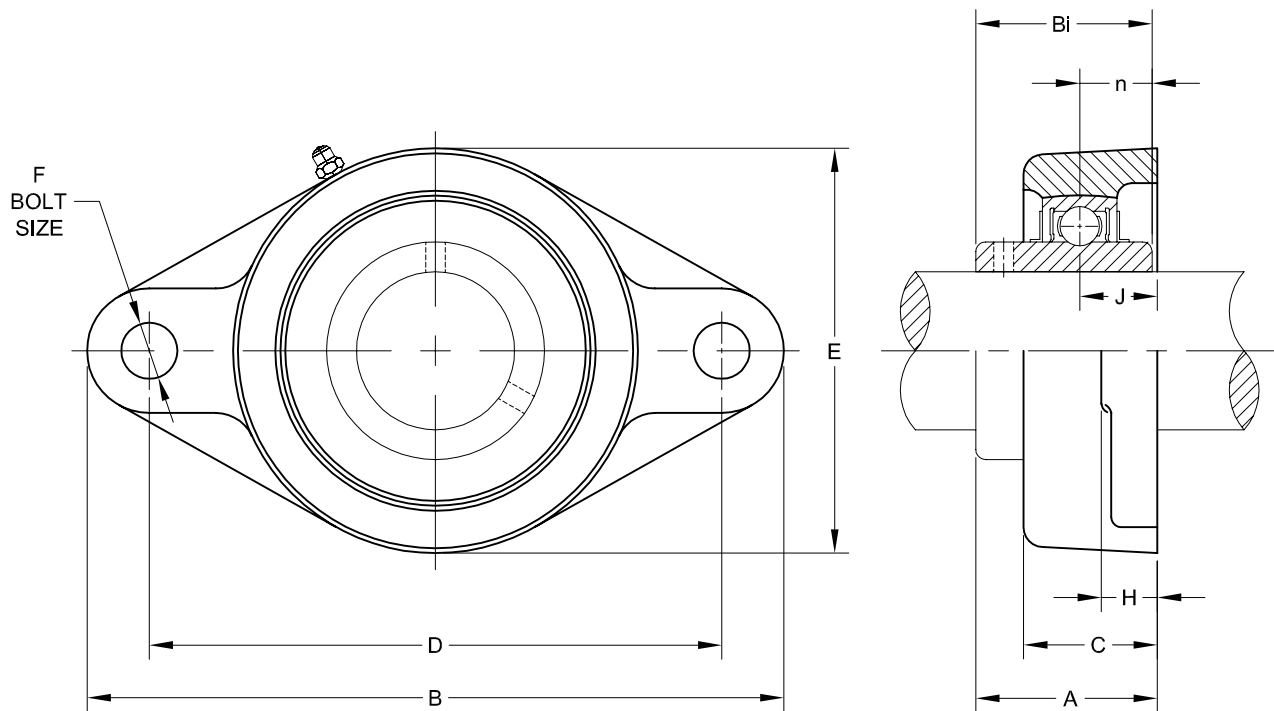
## UCFL 200 Series—Normal Duty Set Screw Locking Collar

SHAFT SIZE	MOLINE PART #	UNIT #	DIMENSIONS (INCHES)										BOLT SIZE (INCHES)	WEIGHT LBS.	
			B	E	J	H	C	F	D	A	Bi	n			
1/2	19401008	UCFL201-8													
5/8	19401010	UCFL202-10	4.489	3.543	.591	.433	1	.452	2.362	1.311	1.220	0.500	3/8	1.06	
3/4	19401012	UCFL204-12													
7/8	19401014	UCFL205-14													
15/16	19401015	UCFL205-15	5.118	3.898	.630	.512	1.062	.452	2.677	1.406	1.339	0.563	3/8	1.43	
1	19401100	UCFL205-16													
1 1/8	19401102	UCFL206-18													
1 3/16	19401103	UCFL206-19	5.827	4.606	.709	.512	1.220	.452	3 1/8	1.583	1.500	0.626	3/8	2.16	
1 1/4	19401104-06	UCFL206-20													
1 1/4	19401104	UCFL207-20													
1 5/16	19401105	UCFL207-21	6.338	5.118	.748	.551	1.338	.551	3 9/16	1.748	1.689	0.689	1/2	2.76	
1 3/8	19401106	UCFL207-22													
1 7/16	19401107	UCFL207-23													
1 1/2	19401108	UCFL208-24													
1 9/16	19401109	UCFL208-25	6.890	5.669	.827	.551	1.417	.551	3 15/16	2.016	1.937	0.748	1/2	3.64	
1 5/8	19401110	UCFL209-26													
1 11/16	19401111	UCFL209-27	7.401	5.827	.866	.630	1.496	.709	4 1/4	2.055	1.937	0.748	5/8	4.30	
1 3/4	19401112	UCFL209-28													
1 7/8	19401114	UCFL210-30													
1 15/16	19401115	UCFL210-31	7.756	6.181	.866	.630	1.575	.709	4 1/2	2.150	2.031	0.748	5/8	4.96	
2	19401200-10	UCFL210-32													
2	19401200	UCFL211-32													
2 1/8	19401202	UCFL211-34	8.819	7.244	.984	.709	1.693	.709	5 1/8	2.299	2.189	0.874	5/8	7.27	
2 3/16	19401203	UCFL211-35													
2 1/4	19401204	UCFL212-36													
2 3/8	19401206	UCFL212-38	9.842	7.953	1.142	.709	1.890	.709	5 1/2	2.705	2.563	1.00	5/8	9.37	
2 7/16	19401207	UCFL212-39													
2 1/2	19401208	UCFL213-40	10.157	8.268	1.181	.787	1.968	.905	6 1/8	2.744	2.563	1.00	3/4	11.68	
2 3/4	19401212	UCFL214-44	10.433	8.504	1.22	.787	2.126	.905	6 5/16	2.969	2.937	1.189	3/4	13.23	
2 15/16	19401215	UCFL215-47													
3	19401300	UCFL215-48	10.827	8.858	1.339	.866	2.165	.905	6 1/2	3.091	3.063	1.311	3/4	14.33	

For sale as complete units, inserts and housings.



## MOUNTED BALL BEARING 2-BOLT FLANGE



MOUNTED BEARINGS



For personal service and special requests, please call us at 800.242.4633.  
CAD drawings available upon request at no additional charge.

For nomenclature see pages 190 and 191.



**MOLINE BEARING CO.**

Post Office Box 99, Batavia, Illinois 60510, USA  
630.584.4600, 800.242.4633, 630.584.1999 fax  
www.molinebearing.com, sales@molinebearing.com

TEL # **800.242.4633**

97



# MOUNTED BALL BEARING 4-BOLT FLANGE

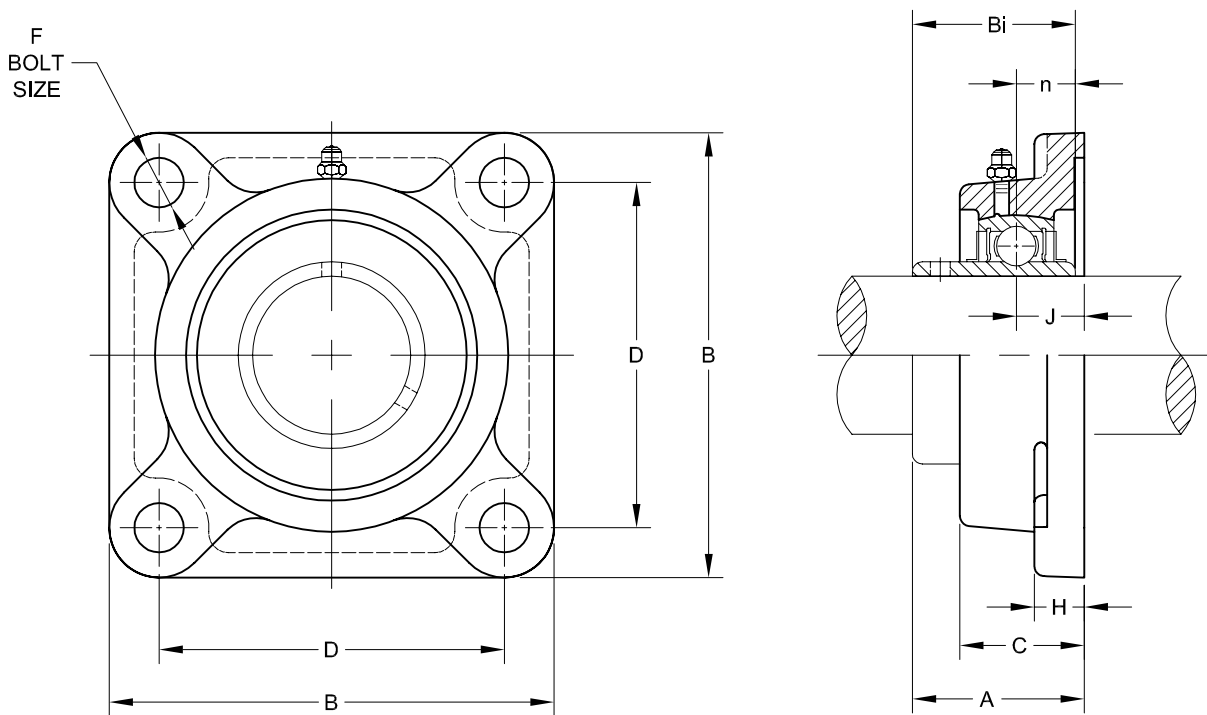
## UCF 200 Series—Normal Duty Set Screw Locking Collar

SHAFT SIZE	MOLINE PART #	UNIT #	DIMENSIONS (INCHES)									BOLT SIZE (INCHES)	WEIGHT LBS.	
			B	D	J	H	C	F	A	Bi	n			
1/2	19411008	UCF201-8												
5/8	19411010	UCF202-10	3.386	2.520	.591	.433	1	.453	1.311	1.22	0.500	3/8	1.35	
3/4	19411012	UCF204-12												
7/8	19411014	UCF205-14												
15/16	19411015	UCF205-15	3 3/4	2 3/4	.630	.512	1.063	.453	1.406	1.339	0.563	3/8	1.76	
1	19411100	UCF205-16												
1 1/8	19411102	UCF206-18												
1 3/16	19411103	UCF206-19	4 1/4	3.267	.709	.512	1.220	.453	1.583	1.500	0.626	3/8	2.36	
1 1/4	19411104-06	UCF206-20												
1 1/4	19411104	UCF207-20												
1 5/16	19411105	UCF207-21	4.606	3.622	.748	.591	1.339	.551	1.748	1.689	0.689	1/2	3.09	
1 3/8	19411106	UCF207-22												
1 7/16	19411107	UCF207-23												
1 1/2	19411108	UCF208-24												
1 9/16	19411109	UCF208-25	5.118	4.016	.827	.591	1.417	.551	2.016	1.937	0.748	1/2	3.97	
1 5/8	19411110	UCF209-26												
1 11/16	19411111	UCF209-27	5.394	4.134	.866	.630	1.496	.630	2.055	1.937	0.748	1/2	4.85	
1 3/4	19411112	UCF209-28												
1 7/8	19411114	UCF210-30												
1 15/16	19411115	UCF210-31	5.630	4.370	.866	.630	1.574	.709	2.150	2.031	0.748	1/2	5.29	
2	19411200-10	UCF210-32												
2	19411200	UCF211-32												
2 1/8	19411202	UCF211-34	6.378	5.118	.984	.709	1.693	.709	2.299	2.189	0.874	5/8	7.27	
2 3/16	19411203	UCF211-35												
2 1/4	19411204	UCF212-36												
2 3/8	19411206	UCF212-38	6.890	5.630	1.142	.709	1.890	.709	2.705	2.563	1.000	5/8	9.26	
2 7/16	19411207	UCF212-39												
2 1/2	19411208	UCF213-40	7.362	5.866	1.181	.866	1.968	.709	2.744	2.563	1.000	5/8	11.68	
2 3/4	19411212	UCF214-44	7.598	5.984	1.220	.866	2.125	.709	2.969	2.937	1.189	5/8	13.01	
2 15/16	19411215	UCF215-47												
3	19411300	UCF215-48	7 7/8	6.259	1.339	.866	2.205	.709	3.091	3.063	1.311	5/8	13.89	
3 1/16	19411307	UCF218-55	9.25	7.362	1.575	.984	2.677	.906	3.791	3.78	1.563	3/4	25.57	

For sale as complete units, inserts and housings.



## MOUNTED BALL BEARING 4-BOLT FLANGE



MOUNTED BEARINGS



For personal service and special requests, please call us at 800.242.4633.  
CAD drawings available upon request at no additional charge.

For nomenclature see pages 190 and 191.



**MOLINE BEARING CO.**

Post Office Box 99, Batavia, Illinois 60510, USA  
630.584.4600, 800.242.4633, 630.584.1999 fax  
www.molinebearing.com, sales@molinebearing.com

TEL # **800.242.4633**

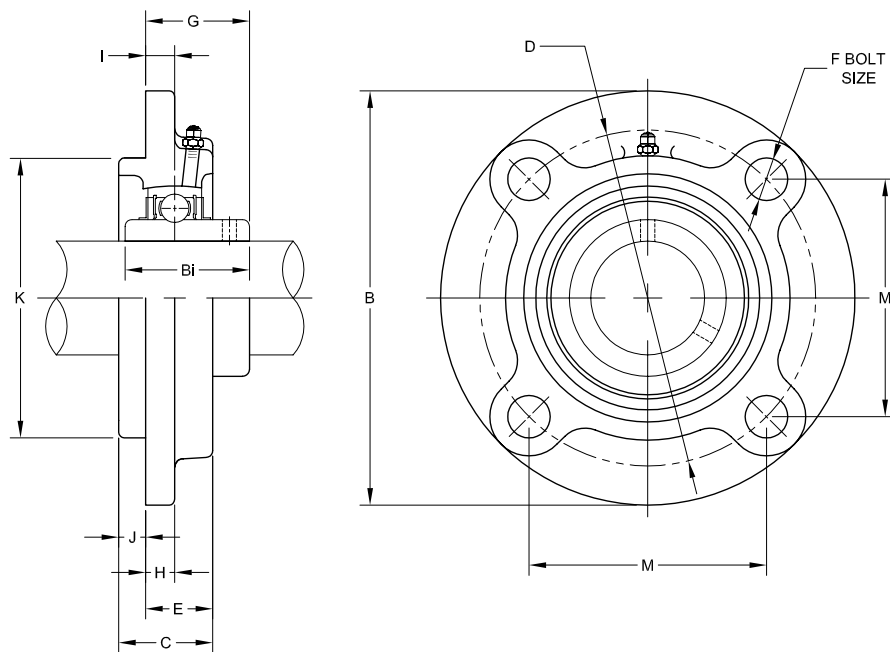
99

# MOUNTED BALL BEARING PILOTED FLANGE

## UCFC 200 Series—Normal Duty Set Screw Locking Collar

SHAFT SIZE	MOLINE PART #	UNIT #	DIMENSIONS (INCHES)					
			B	D	M	I	C	F
3/4	19431012	UCFC204-12	3 15/16	3.701	2.169	.394	1	.453
7/8	19431014	UCFC205-14	4.527	3.543	2.504	.394	1.063	.472
15/16	19431015	UCFC205-15						
1	19431100	UCFC205-16						
1 1/8	19431102	UCFC206-18	4.921	3.937	2.783	.394	1.220	.472
1 3/16	19431103	UCFC206-19						
1 1/4	19431104-06	UCFC206-20						
1 1/4	19431104	UCFC207-20	5.315	4.331	3.063	.433	1.338	.551
1 5/16	19431105	UCFC207-21						
1 3/8	19431106	UCFC207-22						
1 7/16	19431107	UCFC207-23						
1 1/2	19431108	UCFC208-24	5.709	4.724	3.338	.433	1.417	.551
1 9/16	19431109	UCFC208-25						

For sale as complete units, inserts and housings.



## MOUNTED BALL BEARING PILOTED FLANGE

SHAFT SIZE	DIMENSIONS (INCHES)						BOLT SIZE (INCHES)	WEIGHT LBS.
	J	H	E	K	G	Bi		
3/4	.197	.236	.807	2.4409	1.114	1.2205	3/8	1.68
7/8 15/16 1	.236	.275	.827	2.7559	1.169	1.3386	3/8	2.12
1 1/8 1 3/16 1 1/4	.315	.315	.905	3.1496	1.268	1.50	3/8	3.02
1 1/4 1 5/16 1 3/8 1 7/16	.315	.354	1.023	3.5433	1.433	1.689	7/16	3.75
1 1/2 1 9/16	.394	.354	1.023	3.937	1.622	1.937	7/16	4.41

MOUNTED BEARINGS



For personal service and special requests, please call us at 800.242.4633.

CAD drawings available upon request at no additional charge.

For nomenclature see pages 190 and 191.



Post Office Box 99, Batavia, Illinois 60510, USA  
630.584.4600, 800.242.4633, 630.584.1999 fax  
www.molinebearing.com, sales@molinebearing.com

**MOLINE BEARING CO.**

TEL # **800.242.4633**

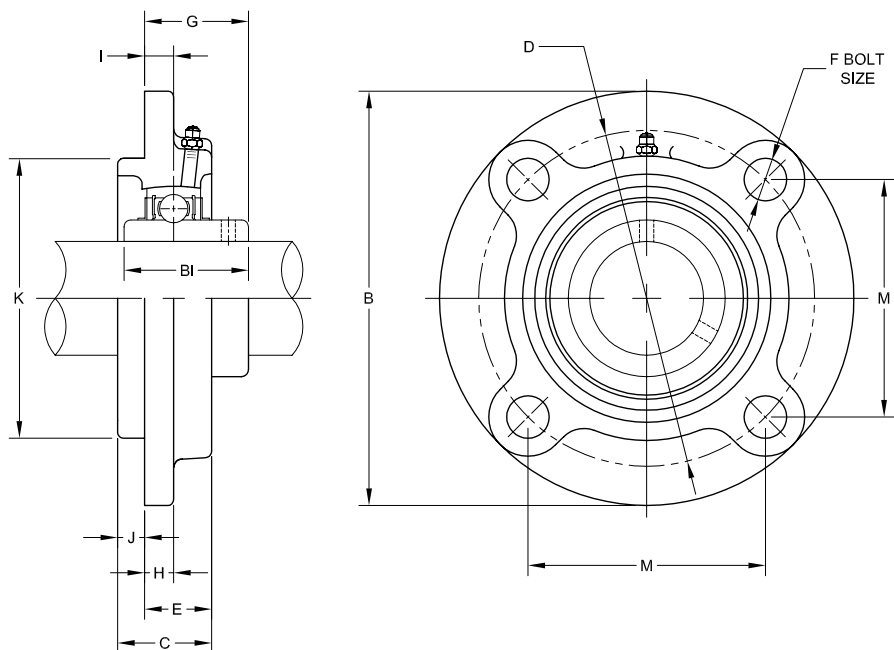
101

## MOUNTED BALL BEARING PILOTED FLANGE CONTINUED

### UCFC 200 Series—Normal Duty Set Screw Locking Collar

SHAFT SIZE	MOLINE PART #	UNIT #	DIMENSIONS (INCHES)					
			B	D	M	I	C	F
1 5/8	19431110	UCFC209-26	6.299	5.197	3.673	.394	1.496	.630
1 11/16	19431111	UCFC209-27						
1 3/4	19431112	UCFC209-28						
1 7/8	19431114	UCFC210-30	6.496	5.433	3.842	.394	1.575	.630
1 15/16	19431115	UCFC210-31						
2	19431200-10	UCFC210-32						
2	19431200	UCFC211-32	7.283	5.905	4.177	.512	1.653	.748
2 1/8	19431202	UCFC211-34						
2 3/16	19431203	UCFC211-35						
2 1/4	19431204	UCFC212-36	7.677	6.299	4.453	.669	1.890	.748
2 3/8	19431206	UCFC212-38						
2 7/16	19431207	UCFC212-39						
2 1/2	19431208	UCFC213-40	8.071	6.693	4.732	.630	1.929	.748
2 3/4	19431212	UCFC214-44	8.465	6.969	4.925	.669	2.126	.748
2 15/16	19431215	UCFC215-47	8.661	7.244	5.122	.669	2.165	.748
3	19431300	UCFC215-48						

For sale as complete units, inserts and housings.



**MOUNTED BALL BEARING PILOTED FLANGE CONTINUED**

SHAFT SIZE	DIMENSIONS (INCHES)						BOLT SIZE (INCHES)	WEIGHT LBS.
	J	H	E	K	G	Bi		
1 5/8 1 11/16 1 3/4	.472	.394	1.023	4.1339	1.583	1.937	1/2	5.95
1 7/8 1 15/16 2	.472	.551	1.102	4.3307	1.677	2.0315	1/2	6.39
2 2 1/8 2 3/16	.472	.512	1.181	4.9213	1.827	2.189	5/8	9.26
2 1/4 2 3/8 2 7/16	.472	.591	1.417	5.315	2.232	2.563	5/8	10.89
2 1/2	.551	.591	1.378	5.709	2.193	2.563	5/8	12.57
2 3/4	.551	.630	1.496	5.905	2.417	2.937	5/8	14.99
2 15/16 3	.630	.669	1.535	6.2992	2.461	3.063	5/8	29.76

MOUNTED BEARINGS



For personal service and special requests, please call us at 800.242.4633.  
CAD drawings available upon request at no additional charge.

**For nomenclature see pages 190 and 191.**



Post Office Box 99, Batavia, Illinois 60510, USA  
630.584.4600, 800.242.4633, 630.584.1999 fax  
www.molinebearing.com, sales@molinebearing.com

**MOLINE BEARING CO.**

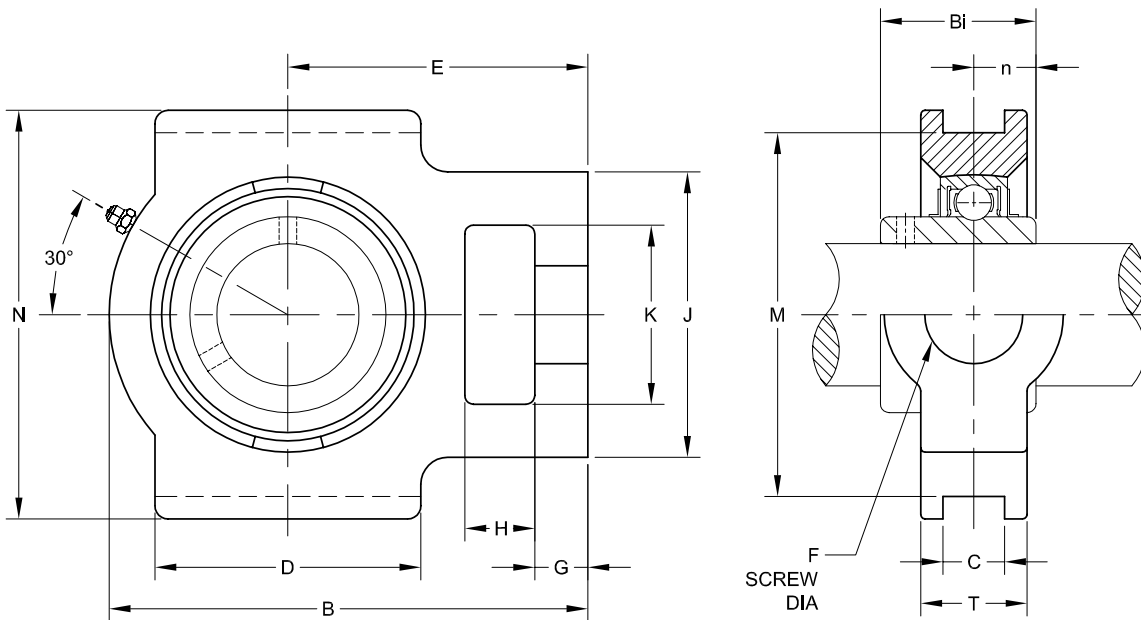
TEL # **800.242.4633**

# MOUNTED BALL BEARING WIDE SLOT TAKE-UP

## UCT 200 Series—Normal Duty Set Screw Locking Collar

SHAFT SIZE	MOLINE PART #	UNIT #	DIMENSIONS (INCHES)						
			H	G	J	K	F	D	C
1/2	19451008	UCT201-08							
5/8	19451010	UCT202-10	5/8	3/8	2	1 1/4	3/4	2	15/32
3/4	19451012	UCT204-12							
7/8	19451014	UCT205-14							
15/16	19451015	UCT205-15	5/8	3/8	2	1 1/4	7/8	2	15/32
1	19451100	UCT205-16							
1 1/8	19451102	UCT206-18							
1 3/16	19451103	UCT206-19	5/8	3/8	2 3/16	1 7/16	7/8	2 1/4	15/32
1 1/4	19451104-06	UCT206-20							
1 1/4	19451104	UCT207-20							
1 5/16	19451105	UCT207-21	5/8	1/2	2 1/2	1 7/16	7/8	2 1/2	15/32
1 3/8	19451106	UCT207-22							
1 7/16	19451107	UCT207-23							
1 1/2	19451108	UCT208-24	3/4	5/8	3 1/4	1 15/16	1 1/8	3 1/4	5/8
1 9/16	19451109	UCT208-25							

For sale as complete units, inserts and housings.



## MOUNTED BALL BEARING WIDE SLOT TAKE-UP

SHAFT SIZE	DIMENSIONS (INCHES)							WEIGHT LBS.
	M	N	B	T	E	Bi	n	
1/2 5/8 3/4	3	3 1/2	3 11/16	1 3/16	2 3/8	1.220	.550	1.85
7/8 15/16 1	3	3 1/2	3 13/16	1 5/16	2 7/16	1.339	.563	1.76
1 1/8 1 3/16 1 1/4	3 1/2	4	4 7/16	1 3/32	2 3/4	1.500	.626	2.42
1 1/4 1 5/16 1 3/8 1 7/16	3 1/2	4	5 1/16	1 3/16	3 1/16	1.689	.689	3.53
1 1/2 1 9/16	4	4 1/2	5 11/16	1 5/16	3 1/2	1.937	.748	5.51

MOUNTED BEARINGS



For personal service and special requests, please call us at 800.242.4633.

CAD drawings available upon request at no additional charge.

For nomenclature see pages 190 and 191.



Post Office Box 99, Batavia, Illinois 60510, USA  
630.584.4600, 800.242.4633, 630.584.1999 fax  
www.molinebearing.com, sales@molinebearing.com

**MOLINE BEARING CO.**

TEL # **800.242.4633**

105

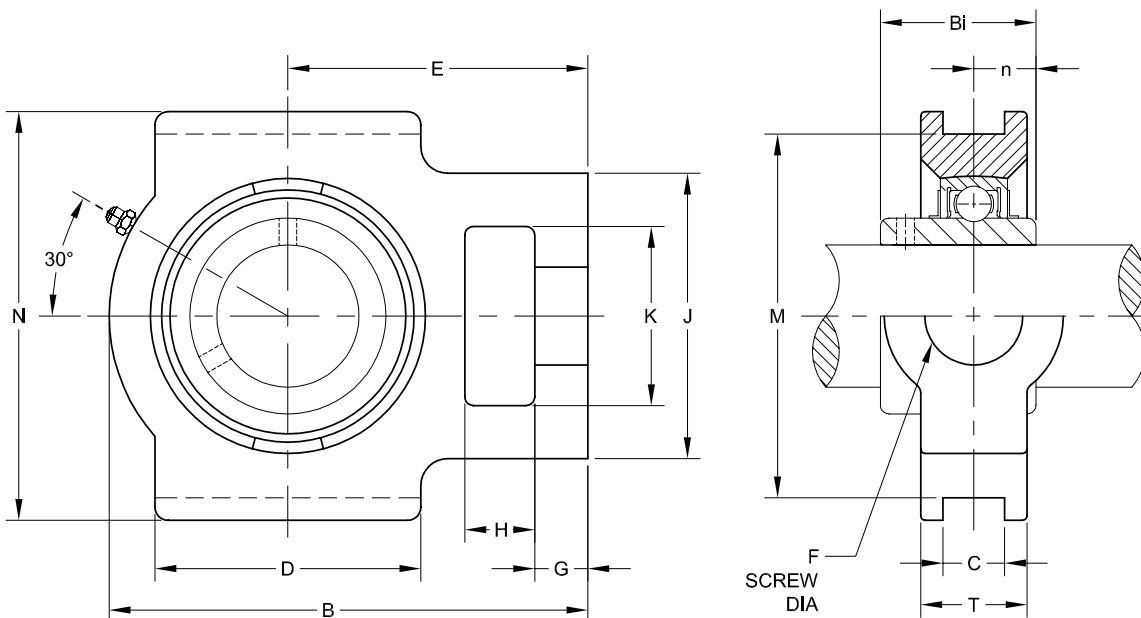


## MOUNTED BALL BEARING WIDE SLOT TAKE-UP CONTINUED

### UCT 200 Series—Normal Duty Set Screw Locking Collar

SHAFT SIZE	MOLINE PART #	UNIT #	DIMENSIONS (INCHES)						
			H	G	J	K	F	D	C
1 5/8	19451110	UCT209-26	3/4	5/8	3 1/4	1 15/16	1 1/8	3 1/4	5/8
1 11/16	19451111	UCT209-27							
1 3/4	19451112	UCT209-28							
1 7/8	19451114	UCT210-30	3/4	5/8	3 1/4	1 15/16	1 1/8	3 3/8	1 1/16
1 15/16	19451115	UCT210-31							
2	19451200-10	UCT210-32							
2	19451200	UCT211-32	1	3/4	4	2 1/2	1 3/8	3 3/4	27/32
2 1/8	19451202	UCT211-34							
2 3/16	19451203	UCT211-35							
2 1/4	19451204	UCT212-36	1 1/4	3/4	4	2 1/2	1 3/8	4	27/32
2 3/8	19451206	UCT212-38							
2 7/16	19451207	UCT212-39							
2 1/2	19451208	UCT213-40	1 1/4	13/16	4 3/8	2 3/4	1 5/8	4 3/4	1 1/32
2 3/4	19451212	UCT214-44							
2 15/16	19451215	UCT215-47	1 1/4	13/16	4 3/8	2 3/4	1 5/8	4 3/4	1 1/32
3	19451300	UCT215-48							

For sale as complete units, inserts and housings.



**MOUNTED BALL BEARING WIDE SLOT TAKE-UP CONTINUED**

SHAFT SIZE	DIMENSIONS (INCHES)							WEIGHT LBS.
	M	N	B	T	E	Bi	n	
1 5/8 1 11/16 1 3/4	4	4 5/8	5 11/16	1 3/8	3 7/16	1.937	.748	5.29
1 7/8 1 15/16 2	4	4 5/8	5 7/8	1 15/32	3 9/16	2.031	.748	5.29
2 2 1/8 2 3/16	5 1/8	5 3/4	6 3/4	1 1/2	4 3/16	2.189	.874	9.04
2 1/4 2 3/8 2 7/16	5 1/8	5 3/4	7 5/8	1 21/32	4 11/16	2.563	1.000	11.02
2 1/2	5 15/16	6 9/16	8 13/16	1 3/4	5 3/8	2.563	1.000	15.43
2 3/4	5 15/16	6 9/16	8 13/16	1 13/16	5 3/8	2.937	1.189	15.65
2 15/16 3	5 15/16	6 9/16	9 1/8	1 7/8	5 1/2	3.062	1.311	16.50

MOUNTED BEARINGS



For personal service and special requests, please call us at 800.242.4633.  
CAD drawings available upon request at no additional charge.

**For nomenclature see pages 190 and 191.**



**MOLINE BEARING CO.**

Post Office Box 99, Batavia, Illinois 60510, USA  
630.584.4600, 800.242.4633, 630.584.1999 fax  
www.molinebearing.com, sales@molinebearing.com

TEL # **800.242.4633**

**107**

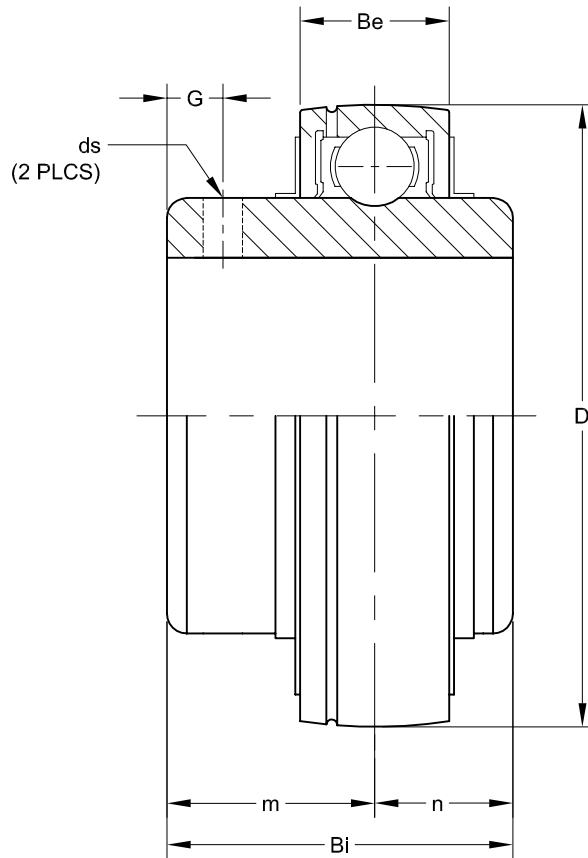
# MOUNTED BALL BEARING UC 200 SERIES INSERT

SHAFT SIZE	MOLINE PART #	UNIT #	DIMENSIONS (INCHES)							WEIGHT LBS.
			D	Bi	Be	n	m	G	ds	
1/2	15400008	UC201-8								
5/8	15400010	UC202-10	1.8504	1.2205	.6299	.5	.7205	.185	1/4-28	.45
3/4	15400012	UC204-12								
7/8	15400014	UC205-14								
15/16	15400015	UC205-15	2.0472	1.3386	.6693	.563	.7756	.2165	1/4-28	.42
1	15400100	UC205-16								
1 1/8	15400102	UC206-18								
1 3/16	15400103	UC206-19	2.4409	1.50	.748	.626	.874	.2165	1/4-28	.68
1 1/4	15400104-06	UC206-20								
1 1/4	15400104	UC207-20								
1 5/16	15400105	UC207-21	2.8346	1.689	.7874	.689	1.0	.2283	5/16-24	1.06
1 3/8	15400106	UC207-22								
1 7/16	15400107	UC207-23								
1 1/2	15400108	UC208-24								
1 9/16	15400109	UC208-25	3.1496	1.937	.8268	.748	1.189	.315	5/16-24	1.37
1 5/8	15400110	UC209-26								
1 11/16	15400111	UC209-27	3.3465	1.937	.8661	.748	1.189	.315	5/16-24	1.48
1 3/4	15400112	UC209-28								
1 7/8	15400114	UC210-30								
1 15/16	15400115	UC210-31	3.5433	2.0315	.9055	.748	1.2835	.3543	3/8-24	1.72
2	15400200-10	UC210-32								
2	15400200	UC211-32								
2 1/8	15400202	UC211-34	3.937	2.189	.9843	.874	1.315	.3543	3/8-24	2.27
2 3/16	15400203	UC211-35								
2 1/4	15400204	UC212-36								
2 3/8	15400206	UC212-38	4.3307	2.563	1.063	1.00	1.563	.4134	3/8-24	3.20
2 7/16	15400207	UC212-39								
2 1/2	15400208	UC213-40	4.7244	2.563	1.1024	1.00	1.563	.4724	3/8-24	3.77
2 3/4	15400212	UC214-44	4.9213	2.937	1.1811	1.189	1.748	.4724	1/2-20	4.54
2 15/16	15400215	UC215-47								
3	15400300	UC215-48	5.1181	3.063	1.1811	1.311	1.752	.4724	1/2-20	4.89
3 7/16	15400307	UC218-55	6.299	3.78	1.457	1.563	2.217	.551	1/2-20	10.05

MOUNTED BEARINGS



## MOUNTED BALL BEARING UC 200 SERIES INSERT



MOUNTED BEARINGS



For personal service and special requests, please call us at 800.242.4633.  
CAD drawings available upon request at no additional charge.



**MOLINE BEARING CO.**

Post Office Box 99, Batavia, Illinois 60510, USA  
630.584.4600, 800.242.4633, 630.584.1999 fax  
www.molinebearing.com, sales@molinebearing.com

TEL # **800.242.4633**

109

# MOUNTED BALL BEARING 2-BOLT PILLOW BLOCK

## HCP 200 Series—Normal Duty Eccentric Locking Collar

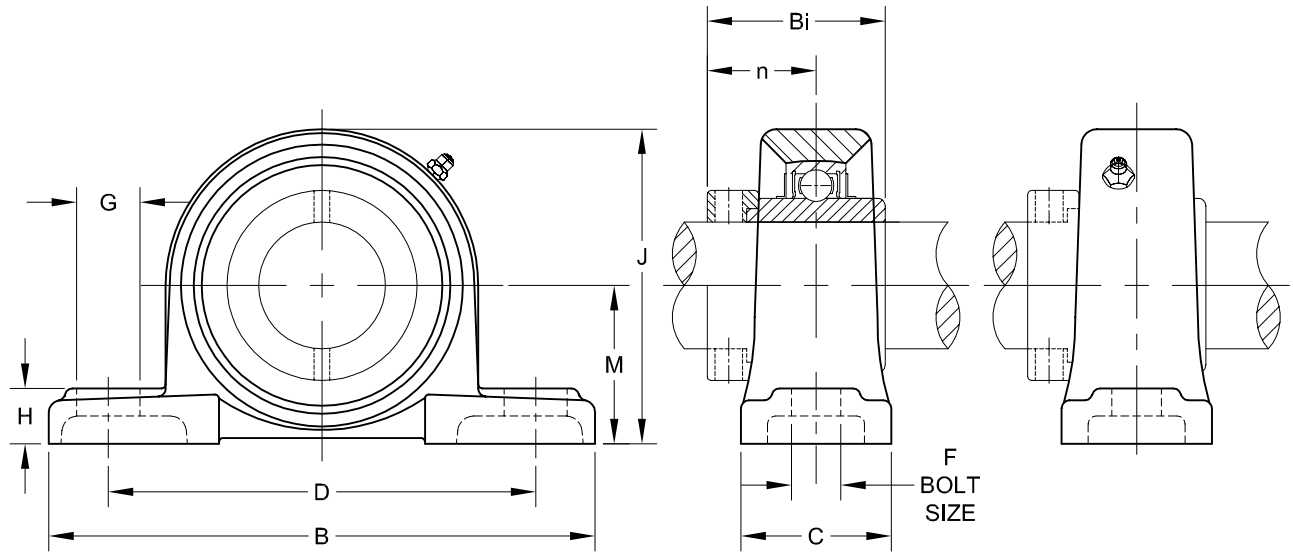
SHAFT SIZE	MOLINE PART #	UNIT #	DIMENSIONS (INCHES)										BOLT SIZE (INCHES)	WEIGHT LBS.
			M	B	D	C	F	G	H	J	Bi	n		
3/4	19521012	HCP204-12	1 5/16	5	3.779	1.456	1/2	.630	.551	2.511	1.713	0.669	3/8	1.59
7/8	19521014	HCP205-14	1 7/16	5 1/2	4 1/8	1 1/2	1/2	3/4	.590	2.736	1.744	0.685	3/8	1.76
1 5/16	19521015	HCP205-15												
1	19521100	HCP205-16												
1 1/8	19521102	HCP206-18	1 11/16	6.30	4 3/4	1.732	.551	3/4	.630	3.228	1.901	0.626	1/2	2.98
1 3/16	19521103	HCP206-19												
1 1/4	19521104-06	HCP206-20												
1 1/4	19521104	HCP207-20	1 7/8	6.575	5	1 7/8	.590	3/4	.669	3.622	2.012	0.740	1/2	3.75
1 5/16	19521105	HCP207-21												
1 3/8	19521106	HCP207-22												
1 7/16	19521107	HCP207-23												
1 1/2	19521108	HCP208-24	1 15/16	7.09	5.354	2.047	.590	13/16	.709	3.858	2.216	0.842	1/2	4.41
1 9/16	19521109	HCP208-25												
1 5/8	19521110	HCP209-26	2 1/8	7.44	5 3/4	2 1/8	.590	13/16	.787	4.153	2.216	0.842	1/2	5.34
1 11/16	19521111	HCP209-27												
1 3/4	19521112	HCP209-28												
1 7/8	19521114	HCP210-30	2 1/4	8.031	6 1/4	2.244	3/4	.866	.827	4.417	2.468	0.968	5/8	6.06
1 15/16	19521115	HCP210-31												
2	19521200-10	HCP210-32												
2	19521200	HCP211-32	2 1/2	8.543	6.771	2 3/8	3/4	.866	.866	4.901	2.807	1.090	5/8	7.85
2 1/8	19521202	HCP211-34												
2 3/16	19521203	HCP211-35												
2 1/4	19521204	HCP212-36	2 3/4	9.370	7.323	2.598	3/4	.984	.945	5.394	3.059	1.216	5/8	11.46
2 3/8	19521206	HCP212-38												
2 7/16	19521207	HCP212-39												
2 1/2	19521208	HCP213-40	3	10.315	8	2 3/4	.905	1.142	1.023	5.866	3.374	1.342	3/4	13.89
2 3/4	19521212	HCP214-44	3 1/8	10.472	8.268	2.834	.905	1.142	1.063	6.102	3.374	1.342	3/4	15.43
2 15/16	19521215	HCP215-47	3 1/4	10.787	8.543	2.913	.984	1.142	1.102	6.363	3.626	1.468	3/4	17.20
3	19521300	HCP215-48												

For sale as complete units, inserts and housings.

MOUNTED BEARINGS



## MOUNTED BALL BEARING 2-BOLT PILLOW BLOCK



MOUNTED BEARINGS



For personal service and special requests, please call us at 800.242.4633.  
CAD drawings available upon request at no additional charge.

For nomenclature see pages 190 and 191.



**MOLINE BEARING CO.**

Post Office Box 99, Batavia, Illinois 60510, USA  
630.584.4600, 800.242.4633, 630.584.1999 fax  
www.molinebearing.com, sales@molinebearing.com

TEL # **800.242.4633**

111

# MOUNTED BALL BEARING 2-BOLT FLANGE

## HCFL 200 Series—Normal Duty Eccentric Locking Collar

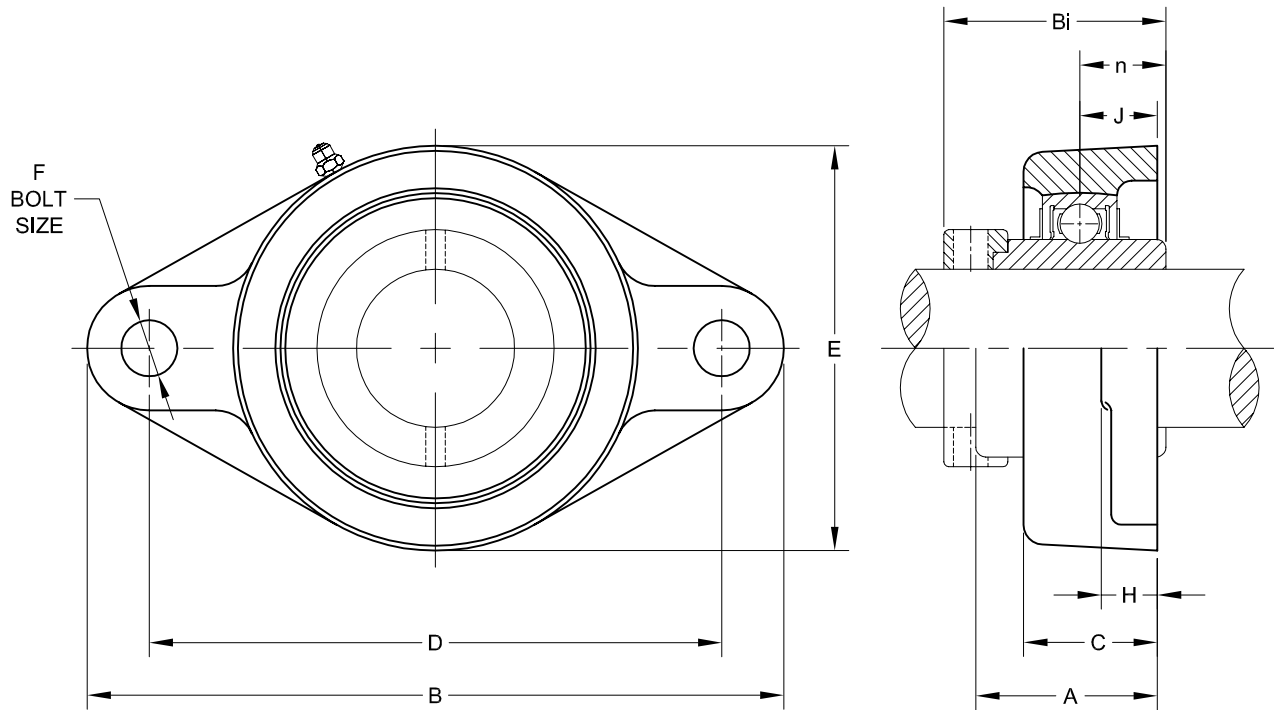
SHAFT SIZE	MOLINE PART #	UNIT #	DIMENSIONS (INCHES)										BOLT SIZE (INCHES)	WEIGHT LBS.
			B	D	J	H	C	F	E	A	Bi	n		
3/4	19501012	HCFL204-12	4.489	3.543	.591	.433	1	.452	2.362	1.311	1.634	.669	3/8	1.54
7/8	19501014	HCFL205-14	5.118	3.898	.630	.512	1.062	.452	2.677	1.406	1.689	.685	3/8	1.76
15/16	19501015	HCFL205-15												
1	19501100	HCFL205-16												
1 1/8	19501102	HCFL206-18	5.827	4.606	.709	.512	1.220	.452	3 1/8	1.583	1.894	.716	3/8	2.64
1 3/16	19501103	HCFL206-19												
1 1/4	19501104-06	HCFL206-20												
1 1/4	19501104	HCFL207-20	6.338	5.118	.748	.551	1.338	.551	3 9/16	1.748	2.020	.740	1/2	3.53
1 5/16	19501105	HCFL207-21												
1 3/8	19501106	HCFL207-22												
1 7/16	19501107	HCFL207-23												
1 1/2	19501108	HCFL208-24	6.890	5.669	.827	.551	1.417	.551	3 15/16	2.016	2.201	.842	1/2	4.19
1 9/16	19501109	HCFL208-25												
1 5/8	19501110	HCFL209-26	7.401	5.827	.866	.630	1.496	.709	4 1/4	2.055	2.240	.842	5/8	5.07
1 11/16	19501111	HCFL209-27												
1 3/4	19501112	HCFL209-28												
1 7/8	19501114	HCFL210-30	7.756	6.181	.866	.630	1.575	.709	4 1/2	2.150	2.366	.969	5/8	5.73
1 15/16	19501115	HCFL210-31												
2	19501200-10	HCFL210-32												
2	19501200	HCFL211-32	8.819	7.244	.984	.709	1.693	.709	5 1/8	2.299	2.701	1.091	5/8	8.38
2 1/8	19501202	HCFL211-34												
2 3/16	19501203	HCFL211-35												
2 1/4	19501204	HCFL212-36	9.842	7.953	1.142	.709	1.890	.709	5 1/2	2.705	2.984	1.216	5/8	10.58
2 3/8	19501206	HCFL212-38												
2 7/16	19501207	HCFL212-39												
2 1/2	19501208	HCFL213-40	10.157	8.268	1.181	.787	1.968	.905	6 1/8	2.744	3.213	1.342	3/4	13.23
2 3/4	19501212	HCFL214-44	10.433	8.504	1.22	.787	2.126	.905	6 5/16	2.969	3.252	1.342	3/4	13.89
2 15/16	19501215	HCFL215-47	10.827	8.858	1.339	.866	2.165	.905	6 1/2	3.091	3.496	1.468	3/4	15.87
3	19501300	HCFL215-48												

For sale as complete units, inserts and housings.

MOUNTED BEARINGS



## MOUNTED BALL BEARING 2-BOLT FLANGE



MOUNTED BEARINGS



For personal service and special requests, please call us at 800.242.4633.  
CAD drawings available upon request at no additional charge.

For nomenclature see pages 190 and 191.



**MOLINE BEARING CO.**

Post Office Box 99, Batavia, Illinois 60510, USA  
630.584.4600, 800.242.4633, 630.584.1999 fax  
www.molinebearing.com, sales@molinebearing.com

TEL # **800.242.4633**

113



# MOUNTED BALL BEARING 4-BOLT FLANGE

## HCF 200 Series—Normal Duty Eccentric Locking Collar

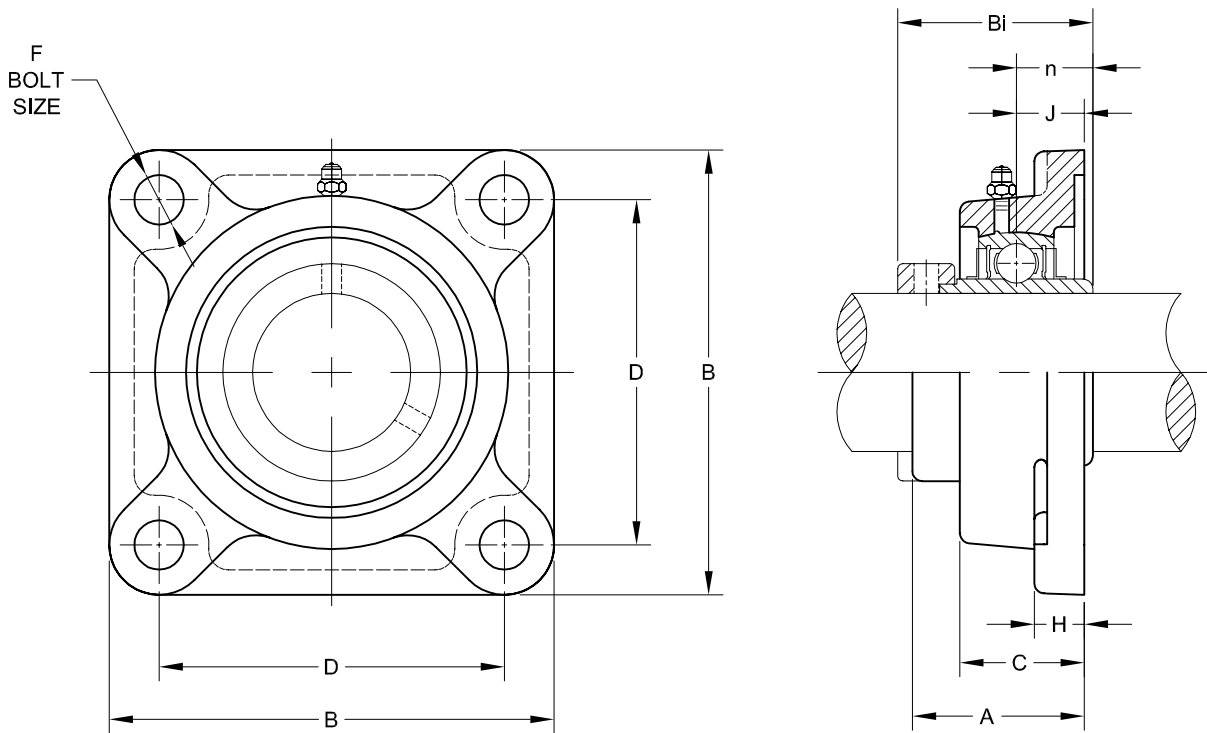
SHAFT SIZE	MOLINE PART #	UNIT #	DIMENSIONS (INCHES)									BOLT SIZE (INCHES)	WEIGHT LBS.
			B	D	J	H	C	F	A	Bi	n		
3/4	19511012	HCF204-12	3.386	2.520	0.591	.433	1	.453	1.311	1.634	.669	3/8	1.39
7/8	19511014	HCF205-14	3 3/4	2 3/4	.630	.512	1.063	.453	1.406	1.689	.685	3/8	1.76
1 5/16	19511015	HCF205-15											
1	19511100	HCF205-16											
1 1/8	19511102	HCF206-18	4 1/4	3.267	.709	.512	1.220	.453	1.583	1.894	.716	3/8	2.64
1 3/16	19511103	HCF206-19											
1 1/4	19511104-06	HCF206-20											
1 1/4	19511104	HCF207-20	4.606	3.622	.748	.591	1.339	.551	1.748	2.020	.740	1/2	3.53
1 5/16	19511105	HCF207-21											
1 3/8	19511106	HCF207-22											
1 7/16	19511107	HCF207-23											
1 1/2	19511108	HCF208-24	5.118	4.016	.827	.591	1.417	.551	2.016	2.201	.842	1/2	4.19
1 9/16	19511109	HCF208-25											
1 5/8	19511110	HCF209-26	5.394	4.134	.866	.630	1.496	.630	2.055	2.240	.842	1/2	5.07
1 11/16	19511111	HCF209-27											
1 3/4	19511112	HCF209-28											
1 7/8	19511114	HCF210-30	5.630	4.370	.866	.630	1.574	.709	2.150	2.366	.969	1/2	5.73
1 15/16	19511115	HCF210-31											
2	19511200-10	HCF210-32											
2	19511200	HCF211-32	6.378	5.118	.984	.709	1.693	.709	2.299	2.701	1.091	5/8	8.38
2 1/8	19511202	HCF211-34											
2 3/16	19511203	HCF211-35											
2 1/4	19511204	HCF212-36	6.890	5.630	1.142	.709	1.890	.709	2.705	2.984	1.216	5/8	10.58
2 3/8	19511206	HCF212-38											
2 7/16	19511207	HCF212-39											
2 1/2	19511208	HCF213-40	7.362	5.866	1.181	.866	1.968	.709	2.744	3.213	1.342	5/8	13.23
2 3/4	19511212	HCF214-44	7.598	5.984	1.220	.866	2.125	.709	2.969	3.252	1.342	5/8	13.89
2 15/16	19511215	HCF215-47	7-7/8	6.259	1.339	.866	2.205	.709	3.091	3.496	1.468	5/8	15.87
3	19511300	HCF215-48											

For sale as complete units, inserts and housings.

MOUNTED BEARINGS



## MOUNTED BALL BEARING 4-BOLT FLANGE



MOUNTED BEARINGS



For personal service and special requests, please call us at 800.242.4633.  
CAD drawings available upon request at no additional charge.

For nomenclature see pages 190 and 191.



**MOLINE BEARING CO.**

Post Office Box 99, Batavia, Illinois 60510, USA  
630.584.4600, 800.242.4633, 630.584.1999 fax  
www.molinebearing.com, sales@molinebearing.com

TEL # **800.242.4633**

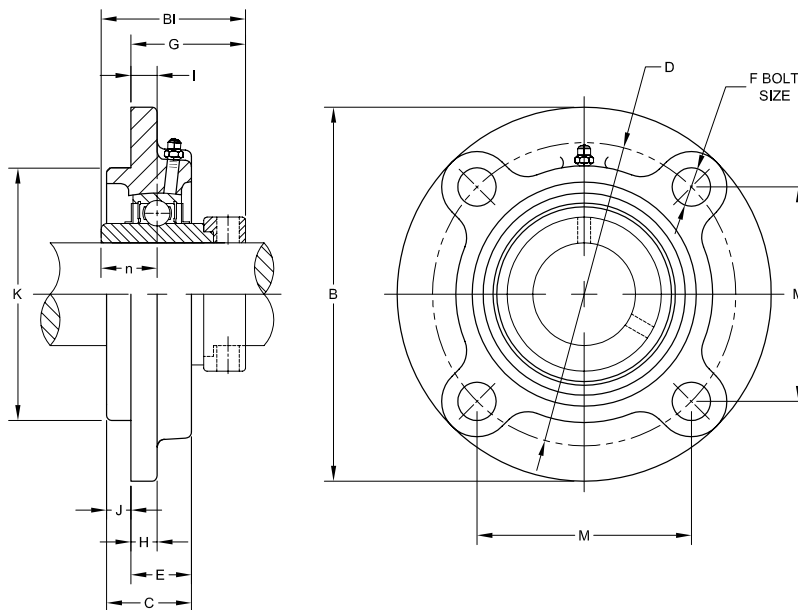
115

# MOUNTED BALL BEARING PILOTED FLANGE

## HCFC 200 Series—Normal Duty Eccentric Locking Collar

SHAFT SIZE	MOLINE PART #	UNIT #	SHAFT SIZE	DIMENSIONS (INCHES)					
				B	D	M	E	C	F
3/4	19531012	HCFC204-12	3/4	3 15/16	3.701	2.169	.394	1	.453
7/8	19531014	HCFC205-14	7/8	4.527	3.543	2.504	.394	1.063	.472
15/16	19531015	HCFC205-15	15/16						
1	19531100	HCFC205-16	1						
1 1/8	19531102	HCFC206-18	1 1/8	4.921	3.937	2.783	.394	1.220	.472
1 3/16	19531103	HCFC206-19	1 3/16						
1 1/4	19531104-06	HCFC206-20	1 1/4						
1 1/4	19531104	HCFC207-20	1 1/4	5.315	4.331	3.063	.433	1.338	.551
1 5/16	19531105	HCFC207-21	1 5/16						
1 3/8	19531106	HCFC207-22	1 3/8						
1 7/16	19531107	HCFC207-23	1 7/16						
1 1/2	19531108	HCFC208-24	1 1/2	5.709	4.724	3.338	.433	1.417	.551
1 9/16	19531109	HCFC208-25	1 9/16						
1 5/8	19531110	HCFC209-26	1 5/8	6.299	5.197	3.673	.394	1.496	.630
1 11/16	19531111	HCFC209-27	1 11/16						
1 3/4	19531112	HCFC209-28	1 3/4						

For sale as complete units, inserts and housings.



## MOUNTED BALL BEARING PILOTED FLANGE

SHAFT SIZE	DIMENSIONS (INCHES)							BOLT SIZE (IN)	WEIGHT LBS.
	J	H	I	K	G	Bi	n		
3/4	.197	.236	.807	2.4409	1.437	1.712	.6693	3/8	1.68
7/8 15/16 1	.236	.275	.827	2.7559	1.453	1.744	.685	3/8	2.12
1 1/8 1 3/16 1 1/4	.315	.315	.905	3.1496	1.580	1.901	.7165	3/8	3.02
1 1/4 1 5/16 1 3/8 1 7/16	.315	.354	1.023	3.5433	1.705	2.012	.7402	7/16	3.75
1 1/2 1 9/16	.394	.354	1.023	3.937	1.807	2.216	.8425	7/16	4.41
1 5/8 1 11/16 1 3/4	.472	.394	1.023	4.1339	1.768	2.216	.8425	1/2	5.95

MOUNTED BEARINGS



For personal service and special requests, please call us at 800.242.4633.

CAD drawings available upon request at no additional charge.

For nomenclature see pages 190 and 191.



**MOLINE BEARING CO.**

Post Office Box 99, Batavia, Illinois 60510, USA  
630.584.4600, 800.242.4633, 630.584.1999 fax  
www.molinebearing.com, sales@molinebearing.com

TEL # **800.242.4633**

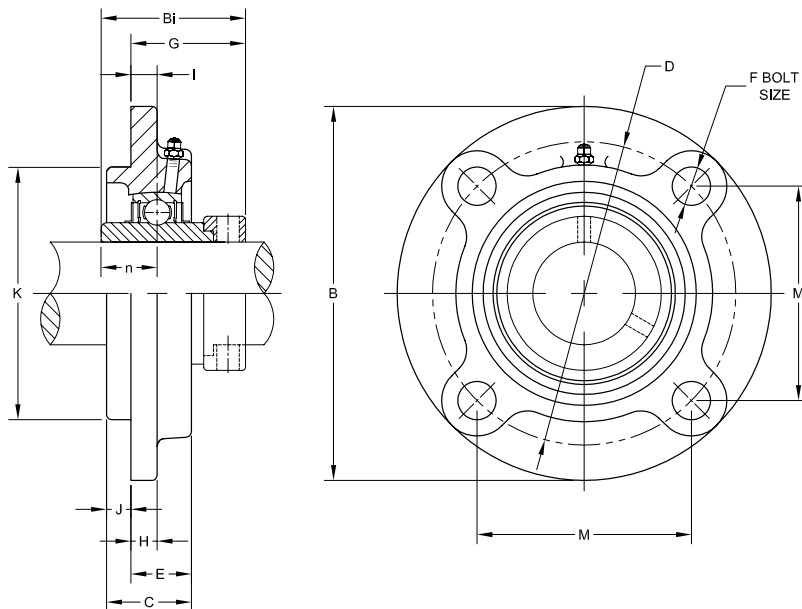
117

## MOUNTED BALL BEARING PILOTED FLANGE CONTINUED

### HCFC 200 Series—Normal Duty Eccentric Locking Collar

SHAFT SIZE	MOLINE PART #	UNIT #	SHAFT SIZE	DIMENSIONS (INCHES)					
				B	D	M	E	C	F
1 $\frac{7}{8}$	19531114	HCFC210-30	1 $\frac{7}{8}$						
1 $\frac{15}{16}$	19531115	HCFC210-31	1 $\frac{15}{16}$	6.496	5.433	3.842	.394	1.575	.630
2	19531200-10	HCFC210-32	2						
2	19531200	HCFC211-32	2						
2 $\frac{1}{8}$	19531202	HCFC211-34	2 $\frac{1}{8}$	7.283	5.905	4.177	.512	1.653	.748
2 $\frac{3}{16}$	19531203	HCFC211-35	2 $\frac{3}{16}$						
2 $\frac{1}{4}$	19531204	HCFC212-36	2 $\frac{1}{4}$						
2 $\frac{3}{8}$	19531206	HCFC212-38	2 $\frac{3}{8}$	7.677	6.299	4.453	.669	1.890	.748
2 $\frac{7}{16}$	19531207	HCFC212-39	2 $\frac{7}{16}$						
2 $\frac{1}{2}$	19531208	HCFC213-40	2 $\frac{1}{2}$	8.071	6.693	4.732	.630	1.929	.748
2 $\frac{3}{4}$	19531212	HCFC214-44	2 $\frac{3}{4}$	8.465	6.969	4.925	.669	2.126	.748
2 $\frac{15}{16}$	19531215	HCFC215-47	2 $\frac{15}{16}$	8.661	7.244	5.122	.669	2.165	.748
3	19531300	HCFC215-48	3						

For sale as complete units, inserts and housings.



**MOUNTED BALL BEARING PILOTED FLANGE CONTINUED**

SHAFT SIZE	DIMENSIONS (INCHES)							BOLT SIZE (IN)	WEIGHT LBS.
	J	H	I	K	G	Bi	n		
1 7/8 1 15/16 2	.472	.551	1.102	4.3307	1.894	2.468	.9685	1/2	6.39
2 2 1/8 2 3/16	.472	.512	1.181	4.9213	2.228	2.811	1.0906	5/8	9.26
2 1/4 2 3/8 2 7/16	.472	.591	1.417	5.315	2.512	3.063	1.2165	5/8	10.89
2 1/2	.551	.591	1.378	5.709	2.661	3.374	1.3425	5/8	12.57
2 3/4	.551	.630	1.496	5.905	2.701	3.374	1.342	5/8	14.99
2 15/16 3	.630	.669	1.535	6.2992	2.866	3.626	1.4685	5/8	29.76

MOUNTED BEARINGS



For personal service and special requests, please call us at 800.242.4633.  
CAD drawings available upon request at no additional charge.

For nomenclature see pages 190 and 191.



Post Office Box 99, Batavia, Illinois 60510, USA  
630.584.4600, 800.242.4633, 630.584.1999 fax  
www.molinebearing.com, sales@molinebearing.com

**MOLINE BEARING CO.**

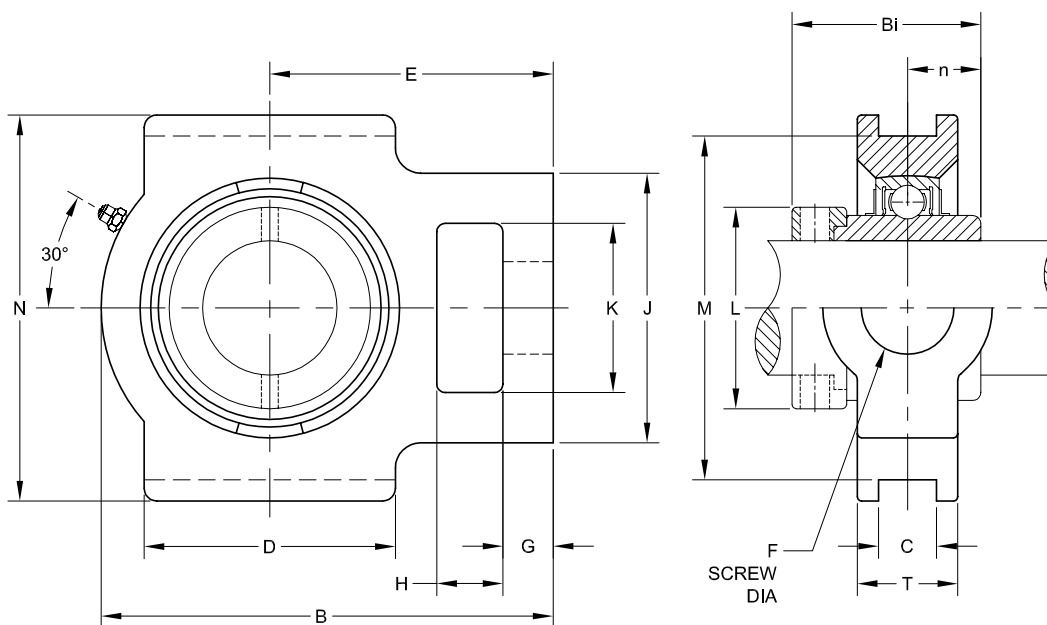
TEL # **800.242.4633**

# MOUNTED BALL BEARING WIDE SLOT TAKE-UP

## HCT 200 Series—Normal Duty Eccentric Locking Collar

SHAFT SIZE	MOLINE PART #	UNIT #	DIMENSIONS (INCHES)						
			H	G	J	K	F	D	C
3/4	19551012	HCT204-12	.630	.394	2.244	1.260	.748	2.008	.472
7/8	19551014	HCT205-14	.630	.394	2.244	1.260	.748	2.008	.472
15/16	19551015	HCT205-15							
1	19551100	HCT205-16							
1 1/8	19551102	HCT206-18	.630	.394	2.205	1.457	.866	2.244	.472
1 3/16	19551103	HCT206-19							
1 1/4	19551104-06	HCT206-20							
1 1/4	19551104	HCT207-20	.630	.512	2.520	1.457	.866	2.520	.472
1 5/16	19551105	HCT207-21							
1 3/8	19551106	HCT207-22							
1 7/16	19551107	HCT207-23							
1 1/2	19551108	HCT208-24	.748	.630	3.268	1.929	1.142	3.268	.630
1 9/16	19551109	HCT208-25							
1 5/8	19551110	HCT209-26	.748	.630	3.268	1.929	1.142	3.268	.630
1 11/16	19551111	HCT209-27							
1 3/4	19551112	HCT209-28							

For sale as complete units, inserts and housings.



## MOUNTED BALL BEARING WIDE SLOT TAKE-UP

SHAFT SIZE	DIMENSIONS (INCHES)								WEIGHT LBS.
	L	M	N	B	T	E	Bi	n	
3/4	1.311	2.992	3.504	3.701	.827	2.401	1.712	.669	1.85
7/8 15/16 1	1.50	2.992	3.504	3.701	.945	2.441	1.744	.685	2.03
1 1/8 1 3/16 1 1/4	1.752	3.504	4.016	4.449	1.102	2.756	1.901	.716	3.06
1 1/4 1 5/16 1 3/8 1 7/16	2.189	3.504	4.016	5.079	1.181	3.071	2.012	.740	4.03
1 1/2 1 9/16	2.374	4.016	4.488	5.669	1.299	3.464	2.216	.842	5.82
1 5/8 1 11/16 1 3/4	2.752	4.016	4.606	5.669	1.378	3.425	2.216	.842	5.89

MOUNTED BEARINGS



For personal service and special requests, please call us at 800.242.4633.

CAD drawings available upon request at no additional charge.

For nomenclature see pages 190 and 191.



**MOLINE BEARING CO.**

Post Office Box 99, Batavia, Illinois 60510, USA  
630.584.4600, 800.242.4633, 630.584.1999 fax  
www.molinebearing.com, sales@molinebearing.com

TEL # **800.242.4633**

121

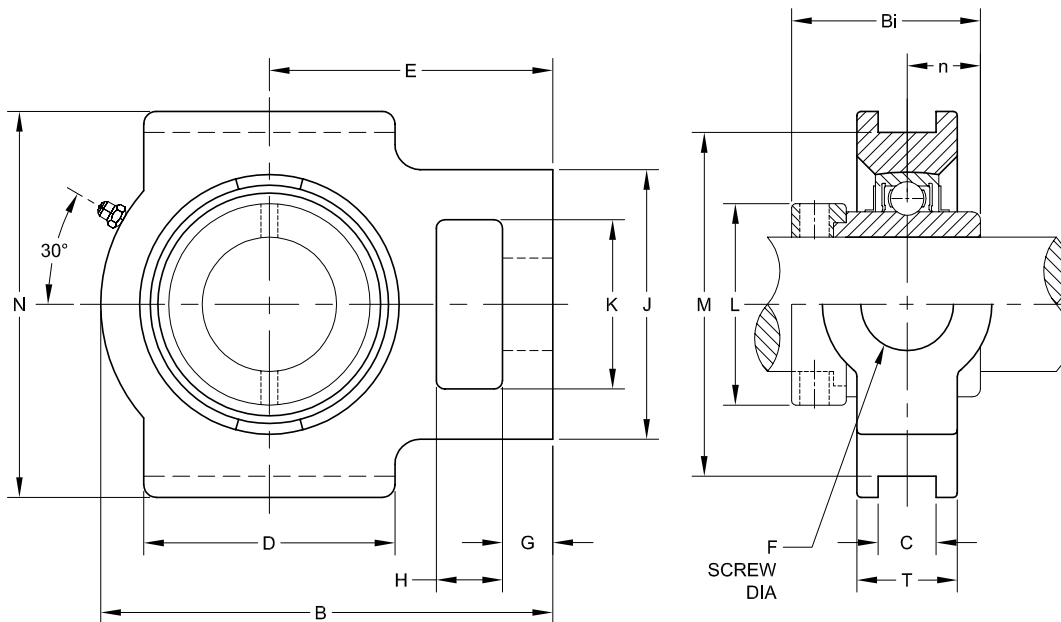


# MOUNTED BALL BEARING WIDE SLOT TAKE-UP CONTINUED

## HCT 200 Series—Normal Duty Eccentric Locking Collar

SHAFT SIZE	MOLINE PART #	UNIT #	DIMENSIONS (INCHES)						
			H	G	J	K	F	D	C
1 7/8	19551114	HCT210-30	.748	.630	3.268	1.929	1.142	3.386	.630
1 15/16	19551115	HCT210-31							
2	19551200-10	HCT210-32							
2	19551200	HCT211-32	.984	.748	4.016	2.520	1.378	3.740	.866
2 1/8	19551202	HCT211-34							
2 3/16	19551203	HCT211-35							
2 1/4	19551204	HCT212-36	1.260	.748	4.016	2.520	1.378	4.016	.866
2 3/8	19551206	HCT212-38							
2 7/16	19551207	HCT212-39							
2 1/2	19551208	HCT213-40	1.260	.827	4.370	2.756	1.614	4.764	1.024
2 3/4	19551212	HCT214-44	1.260	.827	4.370	2.756	1.614	4.764	1.024
2 15/16	19551215	HCT215-47	1.260	.827	4.370	2.756	1.614	4.764	1.024
3	19551300	HCT215-48							

For sale as complete units, inserts and housings.



**MOUNTED BALL BEARING WIDE SLOT TAKE-UP CONTINUED**

SHAFT SIZE	DIMENSIONS (INCHES)								WEIGHT LBS.
	L	M	N	B	T	E	Bi	n	
1 7/8 1 15/16 2	2.752	4.016	4.606	5.866	1.457	3.543	2.468	.968	6.19
2 2 1/8 2 3/16	3.0	5.118	5.748	6.732	1.496	4.173	2.807	1.090	9.41
2 1/4 2 3/8 2 7/16	3.315	5.118	5.748	7.638	1.653	4.685	3.059	1.216	11.60
2 1/2	3.3858	9.882	6.575	8.819	1.732	5.394	3.374	1.342	16.64
2 3/4	3.811	9.882	6.575	8.819	1.811	5.394	3.374	1.342	16.80
2 15/16 3	4.0157	9.882	6.575	9.134	1.890	5.512	3.626	1.468	17.92

MOUNTED BEARINGS



For personal service and special requests, please call us at 800.242.4633.  
CAD drawings available upon request at no additional charge.

For nomenclature see pages 190 and 191.



Post Office Box 99, Batavia, Illinois 60510, USA  
630.584.4600, 800.242.4633, 630.584.1999 fax  
www.molinebearing.com, sales@molinebearing.com

**MOLINE BEARING CO.**

TEL # **800.242.4633**

123

# MOUNTED BALL BEARING HC 200 SERIES INSERT

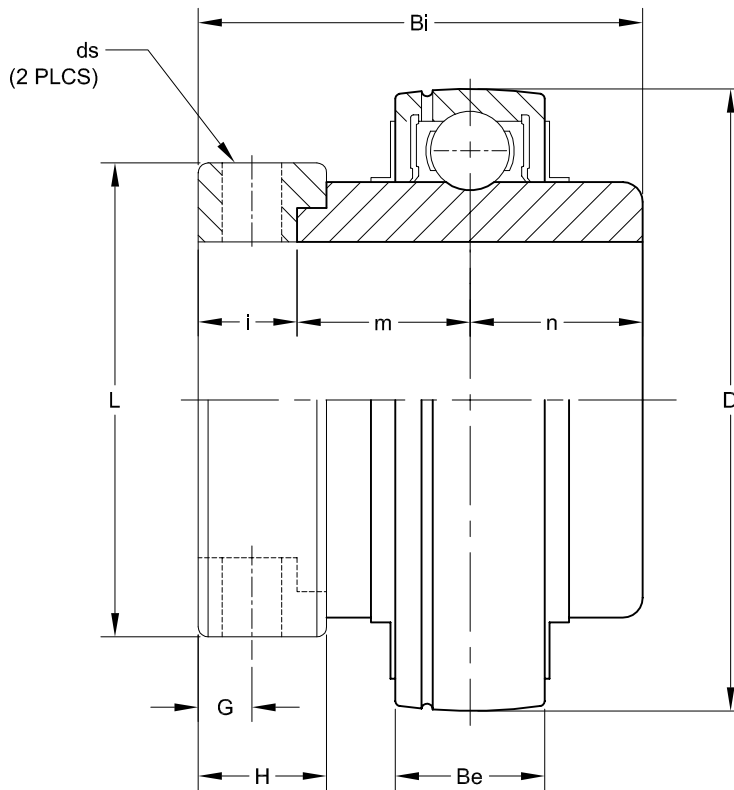
## Normal Duty Eccentric Locking Collar

SHAFT SIZE	MOLINE #	UNIT #	DIMENSIONS (INCHES)										WEIGHT LBS.
			D	Bi	Be	n	m	i	L	H	G	ds	
3/4	15500012	HC204-12	1.8504	1.7126	.6693	.6693	.6693	.374	1.311	.5315	.189	1/4-28	.46
7/8	15500014	HC205-14	2.0472	1.7441	.6693	.685	.685	.374	1.50	.5315	.189	1/4-28	.51
1 1/16	15500015	HC205-15											
1	15500100	HC205-16											
1 1/8	15500102	HC206-18	2.4409	1.9016	.748	.7165	.7165	.4685	1.752	.626	.2362	5/16-24	.82
1 3/16	15500103	HC206-19											
1 1/4	15500104-06	HC206-20											
1 1/4	15500104	HC207-20	2.8346	2.0118	.7874	.7402	.7402	.5315	2.189	.689	.2677	5/16-24	1.32
1 5/16	15500105	HC207-21											
1 3/8	15500106	HC207-22											
1 7/16	15500107	HC207-23											
1 1/2	15500108	HC208-24	3.1496	2.2165	.8268	.8425	.8425	.5315	2.374	.7205	.2677	5/16-24	1.68
1 9/16	15500109	HC208-25											
1 5/8	15500110	HC209-26	3.3465	2.2165	.8661	.8425	.8425	.5315	2.752	.7205	.2559	5/16-24	1.74
1 11/16	15500111	HC209-27											
1 3/4	15500112	HC209-28											
1 7/8	15500114	HC210-30	3.5433	2.4685	.9055	.9685	.9685	.5315	2.752	.7205	.2559	5/16-24	2.01
1 15/16	15500115	HC210-31											
2	15500200-10	HC210-32											
2	15500200	HC211-32	3.937	2.811	.9449	1.0906	1.0906	.6299	3.00	.8189	.315	3/8-24	2.78
2 1/8	15500202	HC211-34											
2 3/16	15500203	HC211-35											
2 1/4	15500204	HC212-36	4.3307	3.063	1.0236	1.2165	1.2165	.6299	3.315	.874	.323	3/8-24	4.12
2 3/8	15500206	HC212-38											
2 7/16	15500207	HC212-39											
2 1/2	15500208	HC213-40	4.7244	3.374	1.063	1.3425	1.3425	.689	3.3858	.9252	.315	3/8-24	4.65
2 3/4	15500212	HC214-44	4.921	3.374	1.181	1.342	1.4685	.689	3.811	.9252	.354	3/8-24	6.02
2 15/16	15500215	HC215-47	5.1181	3.626	1.1811	1.4685	1.4685	.689	4.0157	.3546	.3546	3/8-24	6.87
3	15500300	HC215-48											

MOUNTED BEARINGS



## MOUNTED BALL BEARING HC 200 SERIES INSERT



MOUNTED BEARINGS



For personal service and special requests, please call us at 800.242.4633.  
CAD drawings available upon request at no additional charge.



**MOLINE BEARING CO.**

Post Office Box 99, Batavia, Illinois 60510, USA  
630.584.4600, 800.242.4633, 630.584.1999 fax  
www.molinebearing.com, sales@molinebearing.com

TEL # **800.242.4633**

125

# MOUNTED BALL BEARING APPLICATION GUIDE

## MOUNTING INSTRUCTIONS

Proper mounting of ball bearing units is critical to unit performance. Failure to follow accepted mounting practice may result in poor performance and short bearing life.

Good engineering and design practice does not recommend the application of more than two bearings to support any shaft. Where more than two bearings are used to support the same shaft, it is possible to induce heavy bearing overloads. In these cases, extreme care must be taken to line up bearings in both the vertical and horizontal planes. When the recommended two bearings are used, alignment is not as critical. Moline Bearing self-aligning mounted bearing units will compensate for minor differences in mounting structure.

For best results, use turned and ground shafts that are free of rough spots and burrs. If an old shaft is used, mount bearing units on a relatively smooth and unworn section.

Prior to mounting, clean both the shaft and the bearing bore. Coat the shaft with a small amount of oil. Slide the bearing unit on the shaft. Do not hammer the ends of the inner race. If necessary to apply some force in mounting, use a soft metal bar or pipe against the inner race only. Tap the bearing unit into place.

Tighten the two set screws securely to lock the bearing to the shaft. In applications where the bearing is subjected to heavy vibration, shock loads, or heavy thrust loads, then it may be desirable to file the shaft flat or drill the shaft slightly in the area where the set screws will contact.

## MAXIMUM SPEED

The maximum speed limits listed for the ball bearings can be found in the load rating table. These numbers should be used as a guide and considered along with other factors affecting bearing operation. Load characteristics, bearing lubrication, and temperature factors all influence bearing operation. It is possible that cataloged speed limits may be exceeded after factory engineers complete a complete application analysis.

## LUBRICATION

The proper lubrication of ball bearing units is critical in order to attain maximum bearing life expectancy. Moline ball bearing units need to be lubricated prior to use. They should be re-lubricated periodically, depending on the environment the bearing is exposed to. The following table can be used as a general guide. Experience will determine the best interval for each specific application.

### Lubrication Guide

OPERATING CONDITIONS	BEARING TEMPERATURES	GREASE INTERVAL
Clean	32°F to 120°F	6–12 Months
	120°F to 150°F	1–3 Months
	150°F to 200°F	1–4 Weeks
Dirty	32°F to 150°F	1–4 Weeks
	150°F to 200°F	Daily–1 Week
Moisture	32°F to 200°F	Daily–1 Week

The amount and type of lubricant used will affect bearing life. Lack of lubricant can lead to premature surface fatigue failures of balls and races. Over lubrication can damage seals and result in premature failure from contamination due to the inability of damaged seals to keep foreign material out of the bearing.

When lubricating bearings add grease slowly while the shaft is rotating. When the first sign of grease appears at the seals, the bearing will contain the correct amount of lubricant.

Bearings should not run in steady operation over 200°F and should not exceed 225°F for intermittent operation.

For unusual lubrication requirements or severe duty applications, contact Moline Bearing engineering for recommendations.



## MOUNTED BALL BEARING APPLICATION GUIDE

### BEARING SELECTION

Selection of the proper Moline bearing unit for a determined speed and load can be made by referring to the load rating tables. Proper selection is made by finding a bearing having the desired bore size which has a load rating equal to or greater than the radial or equivalent radial load required for the application.

The ratings shown in the rating tables are based on an average bearing life of 2500 hours. Average bearing life is approximately 5 times L10 life and is the life which may be expected from 50% or more of a given group of bearings operating under identical load conditions. Life expectancies for other than 2,500 hours average life may be determined by using the rating modification factors listed.

### BEARING LOADS

Radial loads and thrust force in combination are the principal load components of bearing applied loads. Moline ball bearing unit ratings are based upon the radial load capacity of the bearing. For applications where bearings are required to absorb thrust loads in addition to normal radial loads, the following considerations must be made concerning the magnitude of the thrust force.

When thrust loads are less than half the radial load, the equivalent load should be considered to be the same as the radial load. If the thrust load is equal to or greater than  $\frac{1}{2}$  the radial load, the equivalent load is determined by adding the two loads together. For thrust loads equal to or greater than the radial load, consult the factory.

#### EXAMPLE 1: RADIAL LOAD SERVICE LIFE

Select a mounted bearing flange block to meet the following application requirements.

- Shaft diameter of 1 inch
- Shaft speed is 1500 RPM
- Radial load requirement is 300 lbs.
- Average life requirement is 5000 hours

From the rating table located on the previous page, locate the series bearing corresponding to a one-inch shaft diameter and follow that line to the 1500 RPM column. The load capacity in this case is 860 lbs. These published radial load capacities are based on an average life of 2,500 hours

and must be modified to suit the application requirement 5,000 hours average life by using the proper multiplier from the chart below. Calculate the equivalent radial load capacity for 5,000 hours average life expectancy as follows:

$$\begin{array}{l} 860 \text{ lbs. radial capacity} \\ \times .794 \text{ 5,000 hours avg. life factor} \\ \hline 683 \text{ lbs. radial capacity} \\ \text{for 5,000 hours avg. life} \end{array}$$

#### EXAMPLE 2: COMBINATION RADIAL AND THRUST LOAD REQUIREMENT

Select a mounted pillow block to meet the following specifications.

- Shaft diameter of  $1\frac{3}{16}$
- A Combination load is applied consisting of
  - Radial Load of 400 lbs.
  - Thrust Load is 250 lbs.
- Shaft speed is 1000 RPM
- The average life requirement is 2,500 hours

From the load rating table on the previous page, locate the line with the series bearing corresponding to  $1\frac{3}{16}$  inch shaft size and follow this line to the right to the 1000 RPM column. The radial load capacity for the bearing is 1389 lbs.

Since the application average life is what the catalog rating charts are based on there's no need to apply further modification factors.

Because the applied thrust load of 250 lbs. is more than half of the applied radial load of 400 lbs., these loads must be added together to obtain the equivalent load requirement.

Equivalent load:  
400 lbs. + 250 lbs. = 650 lbs.

The equivalent radial requirement of 650 lbs. is less than the rated capacity, so the bearing size desired can be used.



**MOLINE BEARING CO.**

Post Office Box 99, Batavia, Illinois 60510, USA  
630.584.4600, 800.242.4633, 630.584.1999 fax  
www.molinebearing.com, sales@molinebearing.com

TEL # **800.242.4633**

127

# MOUNTED BALL BEARING RADIAL LOAD RATINGS

## Radial Load Ratings In Pounds

Information in this table shows load ratings at various RPM based on 500 hours minimum life to 2500 hours average life.

BEARING #	RADIAL LOAD RATING AT VARIOUS RPM												
	UC/HC	50	100	250	500	750	1000	1200	1500	2000	2400	3800	5000
201-204		2469	1962	1433	1146	992	904	860	794	727	683	595	529
205		2690	2138	1587	1257	1102	1014	926	860	794	749	639	551
206		3747	2976	2204	1741	1521	1389	1301	1212	1102	1036	904	816
207		4960	3924	2888	2293	2006	1830	1675	1587	1455	1367	1190	-----
208		5600	4453	3285	2601	2271	2072	1940	1808	1631	1543	1345	-----
209		6173	4894	3593	2866	2491	2271	2138	1984	1808	1697	-----	-----
210		6768	5357	3946	3130	2734	2491	2315	2182	1984	1852	-----	-----
211		8333	6614	4872	3924	3593	3064	2888	2690	2447	2293	-----	-----
212		10097	8002	5908	4674	4100	3726	3505	3241	2954	2778	-----	-----
213		11023	8752	6437	5115	4475	4056	3814	3549	3219	-----	-----	-----
214		11971	9502	7010	5555	4850	4409	4144	3858	3505	-----	-----	-----
215		12985	10295	7583	6019	5247	4784	4497	4167	3792	-----	-----	-----
218		18721	14859	10949	8690	7592	6898	6491	6026	5475	-----	-----	-----

MOUNTED BEARINGS

## Modification Factors For Average Service Life And Load Conditions

LOAD CONDITIONS	AVERAGE LIFE (1,000 HOURS)													
	2.5	3	4	5	6	7	8	10	15	20	25	30	40	50
Steady Load	1.00	.941	.855	.794	.747	.709	.679	.630	.550	.500	.464	.437	.397	.368
Light Shock	.900	.847	.770	.715	.672	.639	.611	.567	.495	.450	.418	.393	.357	.331
Moderate Shock	.700	.659	.599	.556	.523	.500	.475	.441	.385	.350	.325	.306	.278	.258

Factors are used to modify for loads that are not steady or for average life requirements beyond the standard 2500 hours shown in the Radial Load Rating table.



# MOUNTED BALL BEARING INTERCHANGE

## Normal Duty – 200 Series

MOLINE	DODGE	BROWNING	SEALMASTER	HUB CITY	FAFNIR	FYH
UCP 2-Bolt Pillow Block	SC-1	VPS	RP	PB251	SAS	UCP
HCP 2-Bolt Pillow Block Eccentric	SXR-1	VPE	RPE	PB221	RAS	NAP
UCF 4-Bolt Flange	SC-4	VF4S	RF	FB250	SCJ	UCF
HCF 4-Bolt Flange Eccentric	SXR-4	VF4E	RFE	FB220	RCJ	NANF
UCFL 2-Bolt Flange	SC-2	VF2S	RFT	FB260	SCJT	UCFL
HCFL 2-Bolt Flange Eccentric	SXR-2	VF2E	RFTE	FB230	RCJT	NANFL
UCFC Piloted Flange	FCSC	-----	-----	-----	-----	UCFC2
HCFC Piloted Flange Eccentric	-----	-----	-----	-----	-----	-----
UCT Wide Slot Take-Up	WSTUSC	VTWS	RT	WSTU250	VTU	UCT
HCT Wide Slot Take-Up Eccentric	WSTUSXR	VTWE	RT-E	WSTU220	RTU	NAT

Dimensionally compatible with most mounted ball bearings. However, some dimensional variations may exist. Please verify your engineering data or contact the factory with any questions you may have.



**MOLINE BEARING CO.**

Post Office Box 99, Batavia, Illinois 60510, USA  
 630.584.4600, 800.242.4633, 630.584.1999 fax  
[www.molinebearing.com](http://www.molinebearing.com), [sales@molinebearing.com](mailto:sales@molinebearing.com)

TEL # **800.242.4633**





# SHAFT COLLARS

# SOLID ZINC PLATED AND STAINLESS STEEL SHAFT COLLARS

SHAFT SIZE	OD	WIDTH	ZINC-PLATED COLLAR #	STAINLESS STEEL COLLAR #	SETSCREW SIZE	WEIGHT (OZ.)
1/8	3/8	1/4	LSC2 x 1/8	SSC2 x 1/8	6-32 x 1/8	0.10
3/16	7/16	1/4	LSC3 x 3/16	SSC3 x 3/16	8-32 x 1/8	0.10
1/4	1/2	9/32	LSC4 x 1/4	SSC4 x 1/4	10-32 x 1/8	0.20
5/16	5/8	5/16	LSC5 x 5/16	SSC5 x 5/16	10-32 x 1/8	0.30
3/8	3/4	3/8	LSC6 x 3/8	SSC6 x 3/8	1/4-20 x 3/16	0.50
7/16	7/8	7/16	LSC7 x 7/16	SSC7 x 7/16	1/4-20 x 1/4	0.80
1/2	1	7/16	LSC8 x 1/2	SSC8 x 1/2	1/4-20 x 1/4	1.10
9/16	1	7/16	LSC9 x 9/16	SSC9 x 9/16	1/4-20 x 1/4	1.00
5/8	1 1/8	1/2	LSC10 x 5/8	SSC10 x 5/8	5/16-18 x 1/4	1.50
11/16	1 1/4	9/16	LSC11 x 11/16	SSC11 x 11/16	5/16-18 x 1/4	2.00
3/4	1 1/4	9/16	LSC12 x 3/4	SSC12 x 3/4	5/16-18 x 1/4	1.90
13/16	1 5/16	9/16	LSC13 x 13/16	SSC13 x 13/16	5/16-18 x 1/4	1.70
7/8	1 1/2	9/16	LSC14 x 7/8	SSC14 x 7/8	5/16-18 x 1/4	2.90
15/16	1 1/2	9/16	LSC15 x 15/16	SSC15 x 15/16	5/16-18 x 1/4	2.74
1	1 5/8	5/8	LSC16 x 1	SSC16 x 1	5/16-18 x 1/4	2.78
1 1/16	1 3/4	5/8	LSC17 x 1 1/16	SSC17 x 1 1/16	5/16-18 x 5/16	4.10
1 1/8	1 3/4	5/8	LSC18 x 1 1/8	SSC18 x 1 1/8	5/16-18 x 5/16	3.90
1 3/16	2	11/16	LSC19 x 1 3/16	SSC19 x 1 3/16	3/8-16 x 3/8	6.10
1 1/4	2	11/16	LSC20 x 1 1/4	SSC20 x 1 1/4	3/8-16 x 3/8	5.70
1 5/16	2 1/8	11/16	LSC21 x 1 5/16	SSC21 x 1 5/16	3/8-16 x 3/8	6.60
1 3/8	2 1/8	3/4	LSC22 x 1 3/8	SSC22 x 1 3/8	3/8-16 x 3/8	6.70
1 7/16	2 1/4	3/4	LSC23 x 1 7/16	SSC23 x 1 7/16	3/8-16 x 3/8	7.60
1 1/2	2 1/4	3/4	LSC24 x 1 1/2	SSC24 x 1 1/2	3/8-16 x 3/8	7.20
1 9/16	2 1/2	13/16	LSC25 x 1 9/16	SSC25 x 1 9/16	3/8-16 x 3/8	10.70
1 5/8	2 1/2	13/16	LSC26 x 1 5/8	SSC26 x 1 5/8	3/8-16 x 3/8	10.10
1 11/16	2 1/2	13/16	LSC27 x 1 11/16	SSC27 x 1 11/16	3/8-16 x 3/8	9.50
1 3/4	2 5/8	7/8	LSC28 x 1 3/4	SSC28 x 1 3/4	1/2-13 x 1/2	11.40

LSC = Zinc Plated Steel

SSC = 304 Stainless Steel

Collars come with 1 set screw.



## SOLID ZINC PLATED AND STAINLESS STEEL SHAFT COLLARS

SHAFT SIZE	OD	WIDTH	ZINC-PLATED COLLAR #	STAINLESS STEEL COLLAR #	SETSCREW SIZE	WEIGHT (OZ.)
1 13/16	2 3/4	7/8	LSC29x1 13/16	SSC29x1 13/16	1/2-13x 1/2	12.70
1 7/8	2 3/4	7/8	LSC30x1 7/8	SSC30x1 7/8	1/2-13x 1/2	12.20
1 15/16	3	7/8	LSC31x1 15/16	SSC31x1 15/16	1/2-13x 1/2	15.70
2	3	7/8	LSC32x2	SSC32x2	1/2-13x 1/2	14.90
2 1/8	3	7/8	LSC34x2 1/8	SSC34x2 1/8	1/2-13x 1/2	13.30
2 3/16	3 1/4	15/16	LSC35x2 3/16	SSC35x2 3/16	1/2-13x 1/2	18.60
2 1/4	3 1/4	15/16	LSC36x2 1/4	SSC36x2 1/4	1/2-13x 1/2	17.70
2 5/16	3 1/4	15/16	LSC37x2 5/16	-----	1/2-13x 1/2	16.80
2 3/8	3 1/4	15/16	LSC38x2 3/8	SSC38x2 3/8	1/2-13x 1/2	15.90
2 7/16	3 1/2	1	LSC39x2 7/16	SSC39x2 7/16	1/2-13x 1/2	21.80
2 1/2	3 1/2	1	LSC40x2 1/2	SSC40x2 1/2	1/2-13x 1/2	20.80
2 9/16	3 3/4	1	LSC41x2 9/16	-----	1/2-13x 1/2	25.96
2 5/8	4	1 1/8	LSC42x2 5/8	SSC42x2 5/8	1/2-13x 1/2	35.49
2 11/16	4	1 1/8	LSC43x2 11/16	SSC43x2 11/16	1/2-13x 1/2	34.40
2 3/4	4	1 1/8	LSC44x2 3/4	-----	1/2-13x 1/2	33.50
2 7/8	4 1/4	1 1/8	LSC46x2 7/8	SSC46x2 7/8	1/2-13x 1/2	29.70
2 15/16	4 1/4	1 1/8	LSC47x2 15/16	SSC47x2 15/16	1/2-13x 1/2	29.30
3	4 1/4	1 1/8	LSC48x3	SSC48x3	1/2-13x 1/2	27.70
3 3/16	4 1/4	1 1/8	LSC51x3 3/16	SSC51x3 3/16	1/2-13x 1/2	31.00
3 7/16	4 1/4	1 1/8	LSC55x3 7/16	SSC55x3 7/16	1/2-13x 1/2	33.00
3 1/2	4 3/4	1 1/8	LSC56x3 1/2	SSC56x3 1/2	1/2-13x 1/2	40.70
3 15/16	5	1 1/8	LSC63x3 15/16	SSC63x3 15/16	1/2-13x 1/2	37.60
4	5 1/4	1 3/8	LSC64x4	SSC64x4	1/2-13x 1/2	39.00
4 1/4	5 1/2	1 3/8	LSC85x4 1/4	-----	1/2-13x 1/2	55.00
4 7/16	6	1 3/8	LSC90x4 7/16	-----	1/2-13x 1/2	41.20
4 15/16	6 3/8	1 3/8	LSC93x4 15/16	-----	1/2-13x 1/2	53.10

SHAFT COLLARS

For personal service and special requests, please call us at 800.242.4633.

CAD drawings available upon request at no additional charge.



**MOLINE BEARING CO.**

Post Office Box 99, Batavia, Illinois 60510, USA  
630.584.4600, 800.242.4633, 630.584.1999 fax  
www.molinebearing.com, sales@molinebearing.com

TEL # **800.242.4633**

133

# BLACK OXIDE SINGLE/DOUBLE SPLIT COLLARS

SHAFT SIZE	OD	WIDTH	SINGLE SPLIT PART #	WEIGHT (OZ.)	DOUBLE SPLIT PART #	SETSCREW SIZE	WEIGHT (OZ.)
1/4	11/16	5/16	SCS4 x 1/4	0.40	DSC4 x 1/4	4-40 x 3/8	0.38
5/16	11/16	5/16	SCS5 x 5/16	0.36	DSC5 x 5/16	4-40 x 3/8	0.34
3/8	7/8	11/32	SCS6 x 3/8	0.70	DSC6 x 3/8	6-32 x 3/8	0.71
7/16	15/16	3/8	SCS7 x 7/16	0.81	DSC7 x 7/16	6-32 x 3/8	0.76
1/2	1 1/8	13/32	SCS8 x 1/2	1.30	DSC8 x 1/2	8-32 x 1/2	1.26
9/16	1 1/4	7/16	SCS9 x 9/16	2.00	DSC9 x 9/16	10-32 x 1/2	2.00
5/8	1 5/16	7/16	SCS10 x 5/8	1.80	DSC10 x 5/8	10-32 x 1/2	1.80
11/16	1 3/8	7/16	SCS11 x 11/16	2.90	DSC11 x 11/16	10-32 x 1/2	2.80
3/4	1 1/2	1/2	SCS12 x 3/4	2.70	DSC12 x 3/4	1/4-28 x 5/8	2.60
13/16	1 5/8	1/2	SCS13 x 13/16	3.20	DSC13 x 13/16	1/4-28 x 5/8	3.10
7/8	1 5/8	1/2	SCS14 x 7/8	2.96	DSC14 x 7/8	1/4-28 x 5/8	2.83
15/16	1 3/4	1/2	SCS15 x 15/16	3.51	DSC15 x 15/16	1/4-28 x 5/8	3.40
1	1 3/4	1/2	SCS16 x 1	3.30	DSC16 x 1	1/4-28 x 5/8	3.10
1 1/16	1 7/8	1/2	SCS17 x 1 1/16	3.90	DSC17 x 1 1/16	1/4-28 x 5/8	3.67
1 1/8	1 7/8	1/2	SCS18 x 1 1/8	3.63	DSC18 x 1 1/8	1/4-28 x 5/8	3.50
1 3/16	2 1/16	1/2	SCS19 x 1 3/16	4.70	DSC19 x 1 3/16	1/4-28 x 5/8	4.50
1 1/4	2 1/16	1/2	SCS20 x 1 1/4	4.40	DSC20 x 1 1/4	1/4-28 x 5/8	4.22
1 5/16	2 1/8	9/16	SCS21 x 1 5/16	6.19	DSC21 x 1 5/16	1/4-28 x 5/8	5.90
1 3/8	2 1/4	9/16	SCS22 x 1 3/8	5.90	DSC22 x 1 3/8	1/4-28 x 5/8	5.70
1 7/16	2 1/4	9/16	SCS23 x 1 7/16	5.50	DSC23 x 1 7/16	1/4-28 x 5/8	5.23
1 1/2	2 3/8	9/16	SCS24 x 1 1/2	6.30	DSC24 x 1 1/2	1/4-28 x 5/8	6.06
1 9/16	2 3/8	9/16	SCS25 x 1 9/16	5.90	DSC25 x 1 9/16	1/4-28 x 5/8	5.61
1 5/8	2 5/8	11/16	SCS26 x 1 5/8	9.65	DSC26 x 1 5/8	1/4-28 x 5/8	9.31
1 11/16	2 3/4	11/16	SCS27 x 1 11/16	10.70	DSC27 x 1 11/16	5/16-24 x 1	9.86
1 3/4	2 3/4	11/16	SCS28 x 1 3/4	10.20	DSC28 x 1 3/4	5/16-24 x 1	11.00

SCS and DSC = Black Oxided Steel



## BLACK OXIDE SINGLE/DOUBLE SPLIT COLLARS

SHAFT SIZE	OD	WIDTH	SINGLE SPLIT PART #	WEIGHT (OZ.)	DOUBLE SPLIT PART #	SETSCREW SIZE	WEIGHT (OZ.)
1 13/16	2 7/8	1 1/16	SCS29 x 1 13/16	10.70	DSC29 x 1 13/16	5/16-24 x 1	12.00
1 7/8	2 7/8	1 1/16	SCS30 x 1 7/8	10.90	DSC30 x 1 7/8	5/16-24 x 1	10.46
1 15/16	3	1 1/16	SCS31 x 1 15/16	12.00	DSC31 x 1 15/16	5/16-24 x 1	11.57
2	3	1 1/16	SCS32 x 2	11.60	DSC32 x 2	5/16-24 x 1	11.00
2 1/16	3 1/8	3/4	-----	---	DSC33 x 2 1/16	5/16-24 x 1	12.00
2 1/8	3 1/4	3/4	SCS34 x 2 1/8	15.20	DSC34 x 2 1/8	5/16-24 x 1	15.00
2 3/16	3 1/4	3/4	SCS35 x 2 3/16	14.40	DSC35 x 2 3/16	5/16-24 x 1	14.00
2 1/4	3 1/4	3/4	SCS36 x 2 1/4	13.66	DSC36 x 2 1/4	5/16-24 x 1	13.10
2 5/16	3 3/8	3/4	SCS37 x 2 5/16		DSC37 x 2 5/16	5/16-24 x 1	15.90
2 3/8	3 1/2	3/4	SCS38 x 2 3/8	16.50	DSC38 x 2 3/8	5/16-24 x 1	15.20
2 7/16	3 1/2	3/4	SCS39 x 2 7/16	15.60	DSC39 x 2 7/16	5/16-24 x 1	15.30
2 1/2	3 3/4	7/8	SCS40 x 2 1/2	23.10	DSC40 x 2 1/2	3/8-24 x 1-1/4	22.30
2 9/16	3 7/8	7/8	SCS41 x 2 9/16	22.00	DSC41 x 2 9/16	3/8-24 x 1-1/4	21.00
2 5/8	3 7/8	7/8	-----	---	DSC42 x 2 5/8	3/8-24 x 1-1/4	24.00
2 11/16	4	7/8	SCS43 x 2 11/16	25.80	DSC43 x 2 11/16	3/8-24 x 1-1/4	25.00
2 3/4	4	7/8	SCS44 x 2 3/4	29.20	DSC44 x 2 3/4	3/8-24 x 1-1/4	24.00
2 13/16	4 1/4	7/8	-----	---	DSC45 x 2 13/16	3/8-24 x 1-1/4	24.00
2 7/8	4 1/4	7/8	SCS46 x 2 7/8	29.20	DSC46 x 2 7/8	3/8-24 x 1-1/4	29.00
2 15/16	4 1/4	7/8	SCS47 x 2 15/16	28.00	DSC47 x 2 15/16	3/8-24 x 1-1/4	26.50
3	4 1/4	7/8	SCS48 x 3	26.80	DSC48 x 3	3/8-24 x 1-1/4	25.80
3 3/16	4 1/2	7/8	SCS51 x 3 3/16	25.00	DSC51 x 3 3/16	3/8-24 x 1-1/4	28.30
3 7/16	4 1/2	7/8	SCS55 x 3 7/16	25.10	DSC55 x 3 7/16	3/8-24 x 1-1/4	31.00
3 15/16	5 1/4	7/8	SCS63 x 3 15/16	34.00	DSC63 x 3 15/16	3/8-24 x 1-1/4	35.00
4	5 1/4	7/8	SCS64 x 4	33.40	DSC64 x 4	3/8-24 x 1-1/4	33.00
4 7/16	5 3/4	7/8	-----	---	DSC90 x 4 7/16	3/8-24 x 1-1/4	34.00

SCS and DSC = Black Oxided Steel

For personal service and special requests, please call us at 800.242.4633.

CAD drawings available upon request at no additional charge.



**MOLINE BEARING CO.**

Post Office Box 99, Batavia, Illinois 60510, USA  
630.584.4600, 800.242.4633, 630.584.1999 fax  
www.molinebearing.com, sales@molinebearing.com

TEL # **800.242.4633**

135

# STAINLESS STEEL SINGLE/DOUBLE SPLIT COLLARS

SHAFT SIZE	OD	WIDTH	STAINLESS SINGLE SPLIT PART #	WEIGHT (OZ.)	STAINLESS DOUBLE SPLIT PART #	SETSCREW SIZE	WEIGHT (OZ.)
1/4	11/16	5/16	SSCS4 x 1/4	0.40	SDSC4 x 1/4	4-40 x 3/8	0.38
5/16	11/16	5/16	SSCS5 x 5/16	0.36	SDSC5 x 5/16	4-40 x 3/8	0.34
3/8	7/8	11/32	SSCS6 x 3/8	0.70	SDSC6 x 3/8	6-32 x 3/8	0.71
7/16	15/16	3/8	SSCS7 x 7/16	0.81	SDSC7 x 7/16	6-32 x 3/8	0.76
1/2	1 1/8	13/32	SSCS8 x 1/2	1.30	SDSC8 x 1/2	8-32 x 1/2	1.26
9/16	1 1/4	7/16	SSCS9 x 9/16	2.00	SDSC9 x 9/16	10-32 x 1/2	2.00
5/8	1 5/16	7/16	SSCS10 x 5/8	1.80	SDSC10 x 5/8	10-32 x 1/2	1.80
11/16	1 3/8	7/16	SSCS11 x 11/16	2.90	SDSC11 x 11/16	10-32 x 1/2	2.80
3/4	1 1/2	1/2	SSCS12 x 3/4	2.70	SDSC12 x 3/4	1/4-28 x 5/8	2.60
13/16	1 5/8	1/2	SSCS13 x 13/16	3.20	SDSC13 x 13/16	1/4-28 x 5/8	3.10
7/8	1 5/8	1/2	SSCS14 x 7/8	2.96	SDSC14 x 7/8	1/4-28 x 5/8	2.83
15/16	1 3/4	1/2	SSCS15 x 15/16	3.51	SDSC15 x 15/16	1/4-28 x 5/8	3.40
1	1 3/4	1/2	SSCS16 x 1	3.30	SDSC16 x 1	1/4-28 x 5/8	3.10
1 1/16	1 7/8	1/2	SSCS17 x 1 1/16	3.90	SDSC17 x 1 1/16	1/4-28 x 5/8	3.67
1 1/8	1 7/8	1/2	SSCS18 x 1 1/8	3.63	SDSC18 x 1 1/8	1/4-28 x 3/4	3.50
1 3/16	2 1/16	1/2	SSCS19 x 1 3/16	4.70	SDSC19 x 1 3/16	1/4-28 x 3/4	4.50
1 1/4	2 1/16	1/2	SSCS20 x 1 1/4	4.40	SDSC20 x 1 1/4	1/4-28 x 3/4	4.22
1 5/16	2 1/8	9/16	SSCS21 x 1 5/16	6.19	SDSC21 x 1 5/16	1/4-28 x 3/4	5.90
1 3/8	2 1/4	9/16	SSCS22 x 1 3/8	5.90	SDSC22 x 1 3/8	1/4-28 x 3/4	5.70
1 7/16	2 1/4	9/16	SSCS23 x 1 7/16	5.50	SDSC23 x 1 7/16	1/4-28 x 3/4	5.23
1 1/2	2 3/8	9/16	SSCS24 x 1 1/2	6.30	SDSC24 x 1 1/2	1/4-28 x 3/4	6.06
1 9/16	2 3/8	9/16	SSCS25 x 1 9/16	5.90	SDSC25 x 1 9/16	1/4-28 x 3/4	5.61
1 5/8	2 5/8	11/16	SSCS26 x 1 5/8	9.65	SDSC26 x 1 5/8	5/16-24 x 1	9.31

SSCS and SDSC = 304 Stainless Steel



## STAINLESS STEEL SINGLE/DOUBLE SPLIT COLLARS

SHAFT SIZE	OD	WIDTH	STAINLESS SINGLE SPLIT PART #	WEIGHT (OZ.)	STAINLESS DOUBLE SPLIT PART #	SETSCREW SIZE	WEIGHT (OZ.)
1 1/16	2 3/4	1 1/16	SSCS27 x 1 1/16	10.70	SDSC27 x 1 1/16	5/16-24 x 1	9.86
1 3/4	2 3/4	1 1/16	SSCS28 x 1 3/4	10.20	SDSC28 x 1 3/4	5/16-24 x 1	11.00
1 13/16	2 7/8	1 1/16	SSCS29 x 1 13/16	10.40	SDSC29 x 1 13/16	5/16-24 x 1	10.70
1 7/8	2 7/8	1 1/16	SSCS30 x 1 7/8	10.90	SDSC30 x 1 7/8	5/16-24 x 1	10.46
1 15/16	3	1 1/16	SSCS31 x 1 15/16	12.00	SDSC31 x 1 15/16	5/16-24 x 1	11.57
2	3	1 1/16	SSCS32 x 2	11.60	SDSC32 x 2	5/16-24 x 1	11.00
2 1/8	3 1/4	3/4	SSCS34 x 2 1/8	15.20	SDSC34 x 2 1/8	5/16-24 x 1	15.00
2 3/16	3 1/4	3/4	SSCS35 x 2 3/16	14.40	SDSC35 x 2 3/16	5/16-24 x 1	14.00
2 1/4	3 1/4	3/4	SSCS36 x 2 1/4	13.66	SDSC36 x 2 1/4	5/16-24 x 1	13.10
2 5/16	3 3/8	3/4	SSCS37 x 2 5/16	16.00	SDSC37 x 2 5/16	5/16-24 x 1	15.90
2 3/8	3 1/2	3/4	SSCS38 x 2 3/8	16.50	SDSC38 x 2 3/8	5/16-24 x 1	15.20
2 7/16	3 1/2	3/4	SSCS39 x 2 7/16	15.60	SDSC39 x 2 7/16	5/16-24 x 1	15.30
2 1/2	3 3/4	7/8	SSCS40 x 2 1/2	23.10	SDSC40 x 2 1/2	3/8-24 x 1-1/4	22.30
2 9/16	3 7/8	7/8	SSCS41 x 2 9/16	22.00	SDSC41 x 2 9/16	3/8-24 x 1-1/4	21.00
2 5/8	3 7/8	7/8	-----	----	SDSC42 x 2 5/8	3/8-24 x 1-1/4	24.00
2 11/16	4	7/8	SSCS43 x 2 11/16	25.80	SDSC43 x 2 11/16	3/8-24 x 1-1/4	25.00
2 3/4	4	7/8	SSCS44 x 2 3/4	29.20	SDSC44 x 2 3/4	3/8-24 x 1-1/4	24.00
2 7/8	4 1/4	7/8	SSCS46 x 2 7/8	29.20	SDSC46 x 2 7/8	3/8-24 x 1-1/4	29.00
2 15/16	4 1/4	7/8	SSCS47 x 2 15/16	28.00	SDSC47 x 2 15/16	3/8-24 x 1-1/4	26.50
3	4 1/4	7/8	SSCS48 x 3	26.80	SDSC48 x 3	3/8-24 x 1-1/4	25.80
3 3/16	4 1/2	7/8	SSCS51 x 3 3/16	25.00	SDSC51 x 3 3/16	3/8-24 x 1-1/4	28.30
3 7/16	4 1/2	7/8	SSCS55 x 3 7/16	33.00	SDSC55 x 3 7/16	3/8-24 x 1-1/4	31.00
3 1/2	4 3/4	7/8	-----	----	SDSC56 x 3 1/2	3/8-24 x 1-1/4	32.00

For personal service and special requests, please call us at 800.242.4633.

CAD drawings available upon request at no additional charge.



**MOLINE BEARING CO.**

Post Office Box 99, Batavia, Illinois 60510, USA  
630.584.4600, 800.242.4633, 630.584.1999 fax  
www.molinebearing.com, sales@molinebearing.com

TEL # **800.242.4633**

137





# **PULLEYS**

# AK - LIGHT DUTY PULLEYS

Single Groove Bored to Size for A, 3L or 4L Light Duty V-Belts

MOLINE PART #	O.D.	TYPE	STOCK BORES	F	L	N	D	WEIGHT
AK17	1.75	1	1/2, 5/8	21/32	15/16	7/16	5/32	.2
AK20	2.00	1	3/8, 1/2, 5/8, 3/4	21/32	15/16	7/16	5/32	.3
AK21	2.10	1	1/2, 5/8, 3/4	21/32	15/16	7/16	5/32	.4
AK22	2.20	1	1/2, 5/8, 3/4	21/32	15/16	7/16	5/32	.5
AK23	2.30	1	1/2, 5/8, 3/4, 7/8	21/32	15/16	7/16	5/32	.5
AK25	2.50	2	1/2, 5/8, 3/4, 7/8, 1	21/32	15/16	7/16	5/32	.5
AK26	2.60	2	1/2, 5/8, 3/4	21/32	15/16	7/16	5/32	.5
AK27	2.70	2	1/2, 5/8, 3/4	21/32	15/16	7/16	5/32	.6
AK28	2.80	2	1/2, 5/8, 3/4, 7/8, 1	21/32	15/16	7/16	5/32	.7
AK30	3.05	2	1/2, 5/8, 3/4, 7/8, 1	21/32	15/16	7/16	5/32	.7
AK32	3.25	2	1/2, 5/8, 3/4, 7/8, 1	21/32	15/16	7/16	5/32	.7
AK34	3.45	2	1/2, 5/8, 3/4, 7/8, 1	21/32	15/16	7/16	5/32	.9
AK39	3.75	2	1/2, 5/8, 3/4, 7/8, 15/16, 1, 1 1/8	3/4	1 5/32	15/32	1/16	1.4
AK41	3.95	2	1/2, 5/8, 3/4, 7/8, 15/16, 1	3/4	1 5/32	15/32	1/16	1.5
AK44	4.25	3	1/2, 5/8, 3/4, 7/8, 15/16, 1, 1 1/8	3/4	1 5/32	15/32	1/16	1.5
AK46	4.45	3	1/2, 5/8, 3/4, 7/8, 15/16, 1, 1 1/8	3/4	1 5/32	15/32	1/16	1.5
AK49	4.75	3	1/2, 5/8, 3/4, 7/8, 15/16, 1, 1 1/8	3/4	1 5/32	15/32	1/16	1.7
AK51	4.95	3	1/2, 5/8, 3/4, 7/8, 1, 1 1/8	3/4	1 5/32	15/32	1/16	1.7
AK52	5.05	3	1/2, 5/8, 3/4, 7/8, 15/16, 1, 1 1/8	3/4	1 5/32	15/32	1/16	1.7
AK54	5.25	3	1/2, 5/8, 3/4, 7/8, 15/16, 1, 1 1/8, 1 3/16	3/4	1 5/32	15/32	1/16	1.8
AK56	5.45	3	1/2, 5/8, 3/4, 7/8, 15/16, 1, 1 1/8, 1 3/16	3/4	1 5/32	15/32	1/16	1.9
AK59	5.75	3	1/2, 5/8, 3/4, 7/8, 15/16, 1, 1 1/8, 1 3/16	3/4	1 5/32	15/32	1/16	2.0
AK61	5.95	3	1/2, 5/8, 3/4, 7/8, 15/16, 1, 1 1/8, 1 3/16	3/4	1 5/32	15/32	1/16	2.1
AK64	6.25	3	1/2, 5/8, 3/4, 7/8, 15/16, 1, 1 1/8, 1 3/16	3/4	1 5/32	15/32	1/16	2.2
AK66	6.45	3	5/8, 3/4, 1, 1 1/8	3/4	1 5/32	15/32	1/16	2.5
AK69	6.75	3	3/4, 1, 1 1/8	3/4	1 15/32	23/32	0	3.5
AK71	6.95	3	5/8, 3/4, 1, 1 1/8, 1 7/16	3/4	1 15/32	23/32	0	3.8
AK74	7.25	3	1/2, 5/8, 3/4, 7/8, 15/16, 1, 1 1/8, 1 3/16, 1 1/4, 1 7/16	3/4	1 15/32	23/32	0	3.4
AK79	7.75	3	3/4, 1, 1 1/8, 1 7/16	3/4	1 15/32	23/32	0	4.0
AK84	8.25	3	1/2, 5/8, 3/4, 15/16, 1, 1 3/16, 1 7/16	3/4	1 15/32	23/32	0	3.8
AK89	8.75	3	3/4, 1, 1 1/8, 1 7/16	3/4	1 15/32	23/32	0	4.3

PULLEYS

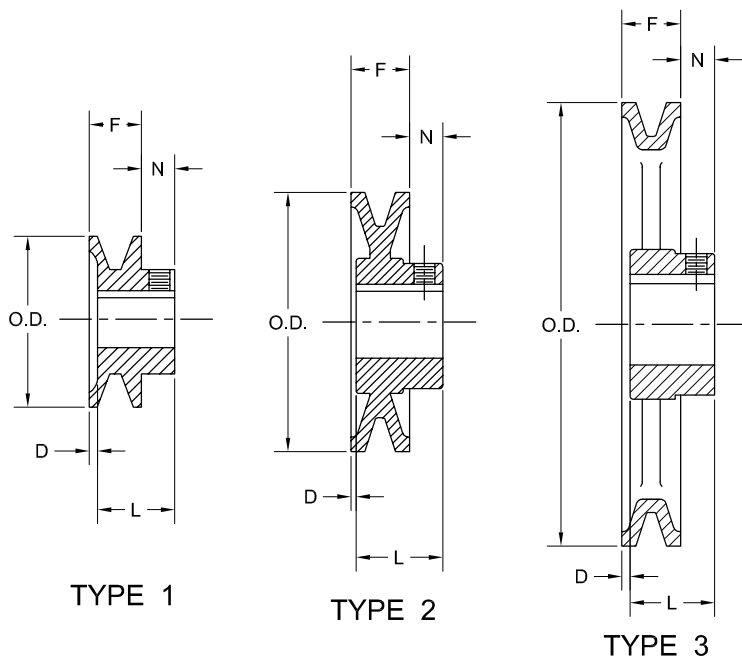


## AK - LIGHT DUTY PULLEYS

Single Groove Bored to Size for A, 3L or 4L Light Duty V-Belts

MOLINE PART #	O.D.	TYPE	STOCK BORES	F	L	N	D	WEIGHT
AK94	9.25	3	1/2, 5/8, 3/4, 15/16, 1, 1 1/16, 1 1/4, 1 7/16	3/4	1 15/32	23/32	0	4.5
AK99	9.75	3	3/4, 1, 1 1/4, 1 7/16	3/4	1 15/32	23/32	0	5.3
AK104	10.25	3	5/8, 3/4, 1, 1 3/16, 1 1/4, 1 3/8, 1 7/16	3/4	1 15/32	23/32	0	5.1
AK109	10.75	3	3/4, 1, 1 3/8, 1 7/16	3/4	1 15/32	23/32	0	5.8
AK114	11.25	3	3/4, 1, 1 3/16, 1 7/16	3/4	1 15/32	23/32	0	5.6
AK124	12.25	3	5/8, 3/4, 1, 1 3/16, 1 1/4, 1 7/16	3/4	1 15/32	23/32	0	6.5
AK134	13.25	3	3/4, 1, 1 3/16, 1 3/8, 1 7/16	3/4	1 15/32	23/32	0	7.5
AK144	14.25	3	3/4, 1, 1 3/16, 1 7/16	3/4	1 15/32	23/32	0	8.5
AK154	15.25	3	3/4, 1, 1 3/16, 1 3/8, 1 7/16	3/4	1 15/32	23/32	0	9.8
AK184	18.25	3	3/4, 1, 1 3/16, 1 7/16	3/4	1 15/32	23/32	0	12.1

Pulleys are cast iron with a black oxide finish and 1 set screw.



PULLEYS

For personal service and special requests, please call us at 800.242.4633.

CAD drawings available upon request at no additional charge.



**MOLINE BEARING CO.**

Post Office Box 99, Batavia, Illinois 60510, USA  
630.584.4600, 800.242.4633, 630.584.1999 fax  
www.molinebearing.com, sales@molinebearing.com

TEL # **800.242.4633**

141

## 2AK - LIGHT DUTY PULLEYS

Double Groove Bored to Size for A, 3L or 4L Light Duty V-Belts

MOLINE PART #	O.D.	TYPE	STOCK BORES	F	L	N	D	WEIGHT
2AK20	2.00	1	1/2, 5/8, 3/4, 7/8	1 3/8	1 2 1/32	15/32	3/16	.8
2AK21	2.15	1	1/2, 5/8, 3/4	1 3/8	1 2 1/32	15/32	3/16	.9
2AK22	2.25	1	1/2, 5/8, 3/4, 7/8	1 3/8	1 2 1/32	15/32	3/16	.9
2AK23	2.35	1	5/8, 3/4, 7/8, 1	1 3/8	1 2 1/32	15/32	3/16	1.1
2AK25	2.55	1	5/8, 3/4, 7/8, 1	1 3/8	1 2 1/32	15/32	3/16	1.3
2AK26	2.65	1	5/8, 3/4, 7/8, 1	1 3/8	1 2 1/32	15/32	3/16	1.4
2AK27	2.75	1	5/8, 3/4, 7/8, 1	1 3/8	1 2 1/32	15/32	3/16	1.5
2AK28	2.85	1	5/8, 3/4, 7/8, 1	1 3/8	1 2 1/32	15/32	3/16	1.8
2AK30	3.05	1	1/2, 5/8, 3/4, 7/8, 1, 1 1/8	1 3/8	1 2 1/32	15/32	3/16	1.8
2AK32	3.25	1	1/2, 5/8, 3/4, 7/8, 1, 1 1/8	1 3/8	1 2 1/32	15/32	3/16	2.1
2AK33	3.35	1	5/8	1 3/8	1 2 1/32	15/32	3/16	2.2
2AK34	3.45	1	1/2, 5/8, 3/4, 7/8, 1, 1 1/8	1 3/8	1 2 1/32	15/32	3/16	2.3
2AK39	3.75	2	1/2, 5/8, 3/4, 7/8, 1, 1 1/8	1 3/8	1 1 1/32	15/32	1/2	2.6
2AK41	3.95	2	5/8, 3/4, 7/8, 1, 1 1/8	1 3/8	1 1 1/32	15/32	1/2	2.9
2AK44	4.25	2	5/8, 3/4, 7/8, 1, 1 1/8	1 3/8	1 1 1/32	15/32	1/2	3.0
2AK46	4.45	2	7/8, 1, 1 1/8	1 3/8	1 1 1/32	15/32	1/2	3.1
2AK49	4.75	2	3/4, 7/8, 1, 1 1/8, 1 3/8	1 3/8	1 1 1/32	15/32	1/2	3.6
2AK51	4.95	2	3/4, 7/8, 1, 1 1/8, 1 3/8	1 3/8	1 1 1/32	15/32	1/2	3.8
2AK54	5.25	3	5/8, 3/4, 7/8, 1, 1 1/8, 1 3/8	1 3/8	1 1 1/32	15/32	1/2	3.3
2AK56	5.45	3	5/8, 3/4, 1, 1 1/8, 1 3/8	1 3/8	1 1 1/32	15/32	1/2	3.4
2AK59	5.75	3	1, 1 1/8, 1 3/8	1 3/8	1 1 1/32	15/32	1/2	3.5
2AK61	5.95	3	3/4, 7/8, 1, 1 1/8, 1 3/8	1 3/8	1 1 1/32	15/32	1/2	3.6
2AK64	6.25	3	3/4, 1, 1 1/8, 1 3/16, 1 3/8, 1 7/16	1 3/8	1 19/32	11/32	1/8	4.8
2AK74	7.25	3	3/4, 1, 1 1/8, 1 3/16, 1 3/8, 1 7/16	1 3/8	1 19/32	11/32	1/8	5.6
2AK84	8.25	3	3/4, 15/16, 1, 1 1/8, 1 3/16, 1 3/8, 1 7/16	1 3/8	1 19/32	11/32	1/8	6.4
2AK94	9.25	3	3/4, 15/16, 1, 1 1/8, 1 3/16, 1 3/8, 1 7/16	1 3/8	1 19/32	11/32	1/8	7.3
2AK104	10.25	3	3/4, 15/16, 1, 1 3/16, 1 3/8, 1 7/16	1 3/8	1 19/32	11/32	1/8	8.1

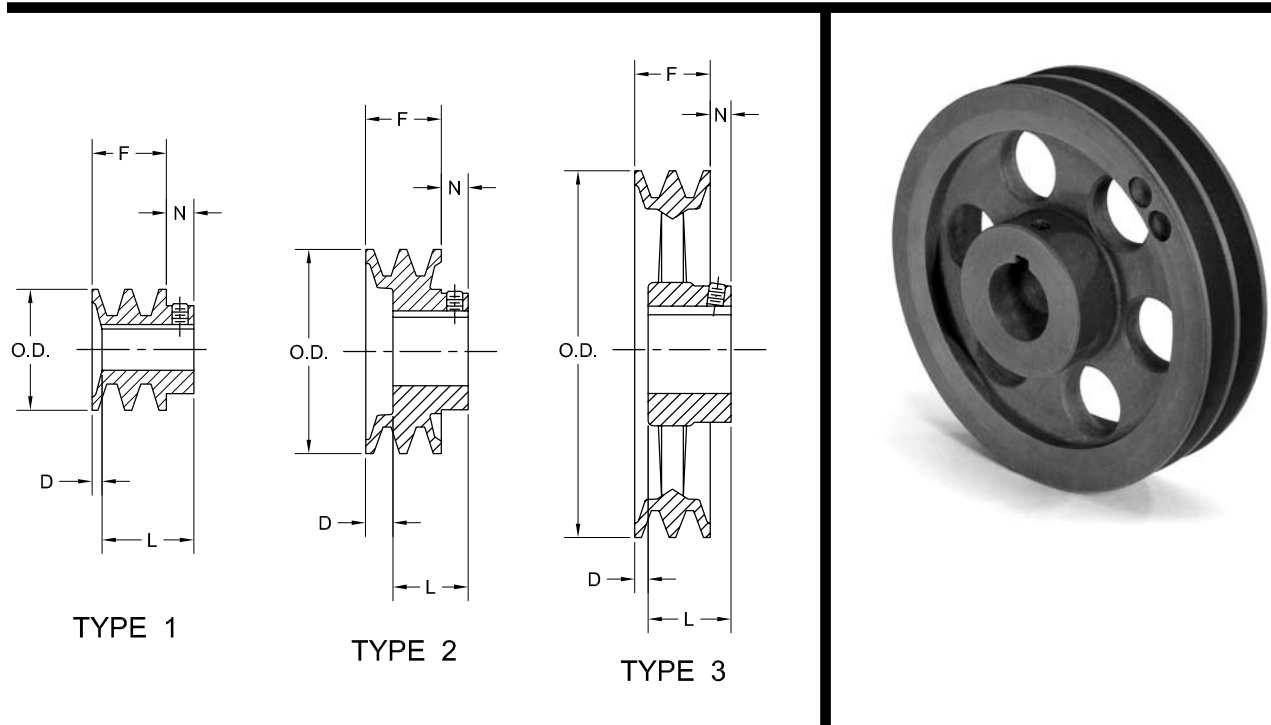


## 2AK - LIGHT DUTY PULLEYS

Double Groove Bored to Size for A, 3L or 4L Light Duty V-Belts

MOLINE PART #	O.D.	TYPE	STOCK BORES	F	L	N	D	WEIGHT
2AK114	11.25	3	$\frac{3}{4}$ , 1, $1\frac{3}{16}$ , $1\frac{3}{8}$ , $1\frac{7}{16}$	$1\frac{3}{8}$	$1\frac{19}{32}$	$\frac{11}{32}$	$\frac{1}{8}$	9.0
2AK124	12.25	3	$\frac{3}{4}$ , 1, $1\frac{3}{16}$ , $1\frac{7}{16}$	$1\frac{3}{8}$	$1\frac{19}{32}$	$\frac{11}{32}$	$\frac{1}{8}$	9.8
2AK134	13.25	3	$1\frac{3}{16}$ , $1\frac{7}{16}$	$1\frac{3}{8}$	$1\frac{19}{32}$	$\frac{11}{32}$	$\frac{1}{8}$	12.3
2AK144	14.25	3	1, $1\frac{7}{16}$	$1\frac{3}{8}$	$1\frac{19}{32}$	$\frac{11}{32}$	$\frac{1}{8}$	13.9
2AK154	15.25	3	$1\frac{3}{16}$ , $1\frac{7}{16}$	$1\frac{3}{8}$	$1\frac{19}{32}$	$\frac{11}{32}$	$\frac{1}{8}$	14.3
2AK184	18.25	3	$1\frac{3}{16}$ , $1\frac{7}{16}$	$1\frac{3}{8}$	$1\frac{19}{32}$	$\frac{11}{32}$	$\frac{1}{8}$	17.4

Pulleys are cast iron with a black oxide finish and 1 set screw.



PULLEYS

For personal service and special requests, please call us at 800.242.4633.

CAD drawings available upon request at no additional charge.



**MOLINE BEARING CO.**

Post Office Box 99, Batavia, Illinois 60510, USA  
 630.584.4600, 800.242.4633, 630.584.1999 fax  
 www.molinebearing.com, sales@molinebearing.com

TEL # **800.242.4633**

143

## AKD - LIGHT DUTY PULLEYS

Single Groove Bushed for A, 3L or 4L Light Duty V-Belts

MOLINE PART #	O.D.	TYPE	F	L	P	X	WEIGHT
AK30D	3.05	1	3/4	1 1/4	7/8	1 3/16	1.1
AK32D	3.25	1	3/4	1 1/4	7/8	1 3/16	1.2
AK34D	3.45	2	3/4	1 1/4	9/16	7/8	1.0
AK39D	3.75	2	3/4	1 1/4	9/16	7/8	1.4
AK41D	3.95	2	3/4	1 1/4	9/16	7/8	1.6
AK44D	4.25	2	3/4	1 1/4	9/16	7/8	1.9
AK46D	4.45	2	3/4	1 1/4	9/16	7/8	1.9
AK49D	4.75	2	3/4	1 1/4	9/16	7/8	2.1
AK51D	4.95	2	3/4	1 1/4	9/16	7/8	2.3
AK54D	5.25	2	3/4	1 1/4	9/16	7/8	2.0
AK56D	5.45	2	3/4	1 1/4	9/16	7/8	2.3
AK59D	5.75	2	3/4	1 1/4	9/16	7/8	2.4
AK61D	5.95	3	3/4	1 1/4	9/16	7/8	2.5
AK64D	6.25	3	3/4	1 1/4	9/16	7/8	2.7
AK66D	6.45	3	3/4	1 1/4	9/16	7/8	2.8
AK69D	6.75	3	3/4	1 1/4	9/16	7/8	3.2
AK71D	6.95	3	3/4	1 1/4	9/16	7/8	3.1
AK74D	7.25	3	3/4	1 1/4	9/16	7/8	3.3
AK79D	7.75	3	3/4	1 1/4	9/16	7/8	3.5
AK84D	8.25	3	3/4	1 1/4	9/16	7/8	3.6
AK89D	8.75	3	3/4	1 1/4	9/16	7/8	4.0
AK94D	9.25	3	3/4	1 1/4	9/16	7/8	4.4
AK99D	9.75	3	3/4	1 1/4	9/16	7/8	4.7
AK100D	10.00	3	3/4	1 1/4	9/16	7/8	4.6
AK104D	10.25	3	3/4	1 1/4	9/16	7/8	4.5
AK109D	10.75	3	3/4	1 1/4	9/16	7/8	5.1



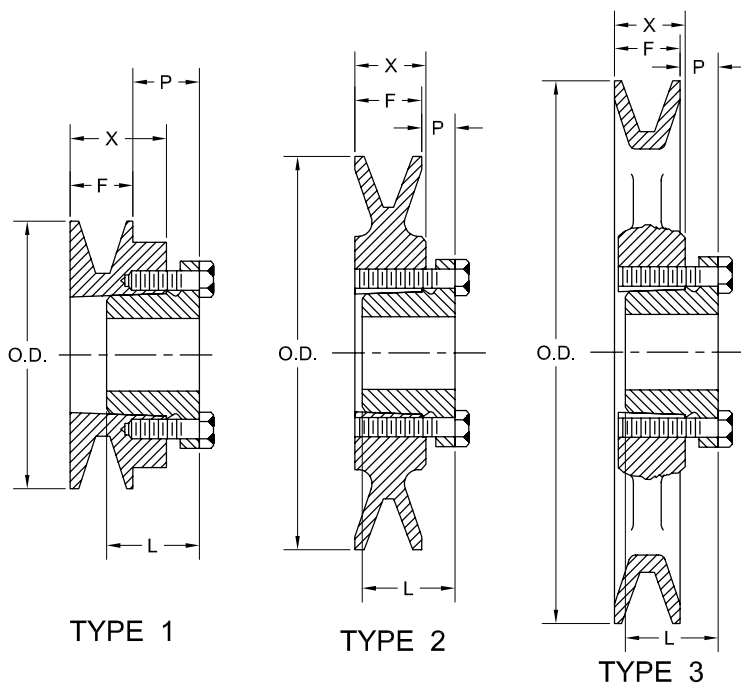
## AKD - LIGHT DUTY PULLEYS

Single Groove Bushed for A, 3L or 4L Light Duty V-Belts

MOLINE PART #	O.D.	TYPE	F	L	P	X	WEIGHT
AK114D	11.25	3	3/4	1 1/4	1/16	7/8	5.5
AK124D	12.25	3	3/4	1 1/4	1/16	7/8	6.1
AK134D	13.25	3	3/4	1 1/4	1/16	7/8	7.4
AK144D	14.25	3	3/4	1 1/4	1/16	7/8	7.8
AK154D	15.25	3	3/4	1 1/4	1/16	7/8	8.8
AK184D	18.25	3	3/4	1 1/4	1/16	7/8	11.3

Pulleys are cast iron with a black oxide finish.

Refer to page 147 for appropriate D Bushings.



PULLEYS

For personal service and special requests, please call us at 800.242.4633.

CAD drawings available upon request at no additional charge.



**MOLINE BEARING CO.**

Post Office Box 99, Batavia, Illinois 60510, USA  
 630.584.4600, 800.242.4633, 630.584.1999 fax  
 www.molinebearing.com, sales@molinebearing.com

TEL # **800.242.4633**

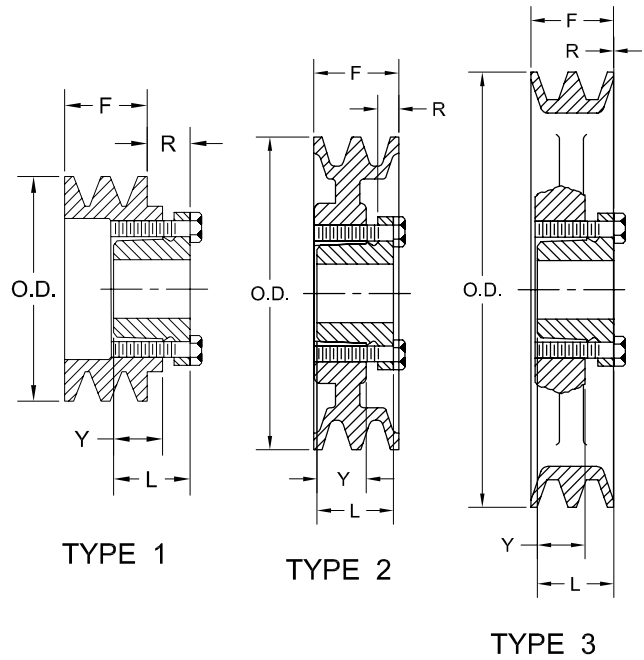
145



# 2AKD - LIGHT DUTY PULLEYS

Double Groove Bushed for A, 3L, or 4L Light Duty V-Belts

MOLINE PART #	O.D.	TYPE	F	L	R	Y	WEIGHT
2AK30D	3.05	1	1 3/8	1 1/4	7/8	7/8	1.4
2AK32D	3.25	1	1 3/8	1 1/4	7/8	7/8	1.7
2AK34D	3.45	1	1 3/8	1 1/4	7/16	7/8	1.8
2AK39D	3.75	1	1 3/8	1 1/4	7/16	7/8	1.8
2AK41D	3.95	2	1 3/8	1 1/4	1/16	7/8	1.8
2AK44D	4.25	2	1 3/8	1 1/4	1/16	7/8	2.4
2AK46D	4.45	2	1 3/8	1 1/4	1/16	7/8	2.5
2AK49D	4.75	2	1 3/8	1 1/4	1/16	7/8	3.1
2AK51D	4.95	2	1 3/8	1 1/4	1/16	7/8	3.2
2AK54D	5.25	2	1 3/8	1 1/4	1/16	7/8	3.4
2AK56D	5.45	2	1 3/8	1 1/4	1/16	7/8	3.6
2AK59D	5.75	3	1 3/8	1 1/4	1/16	7/8	3.4
2AK61D	5.95	3	1 3/8	1 1/4	1/16	7/8	3.3
2AK64D	6.25	3	1 3/8	1 1/4	1/16	7/8	3.9
2AK74D	7.25	3	1 3/8	1 1/4	1/16	7/8	4.9
2AK80D	7.90	3	1 3/8	1 1/4	1/16	7/8	5.4
2AK84D	8.25	3	1 3/8	1 1/4	1/16	7/8	5.8
2AK94D	9.25	3	1 3/8	1 1/4	1/16	7/8	6.1
2AK104D	10.25	3	1 3/8	1 1/4	1/16	7/8	7.7
2AK114D	11.25	3	1 3/8	1 1/4	1/16	7/8	8.5
2AK124D	12.25	3	1 3/8	1 1/4	1/16	7/8	9.5
2AK134D	13.25	3	1 3/8	1 1/4	1/16	7/8	11.4
2AK144D	14.25	3	1 3/8	1 1/4	1/16	7/8	11.9
2AK154D	15.25	3	1 3/8	1 1/4	1/16	7/8	13.3
2AK184D	18.25	3	1 3/8	1 1/4	1/16	7/8	16.8



Pulleys are cast iron with a black oxide finish.

Refer to page 147 for appropriate D Bushings.

For personal service and special requests, please call us at 800.242.4633.

CAD drawings available upon request at no additional charge.

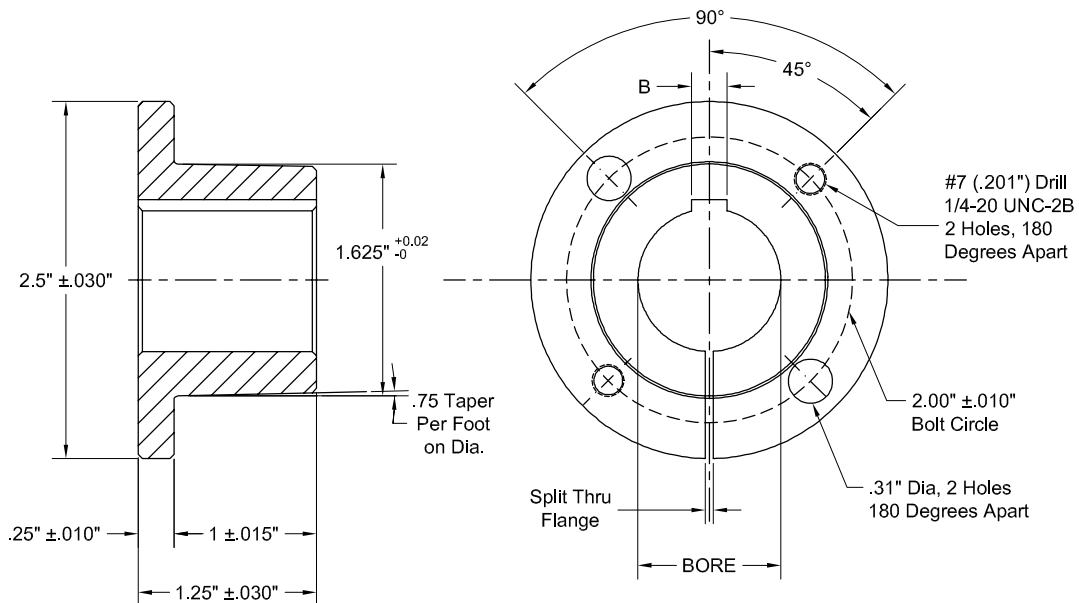


# D BUSHINGS

STOCK BORE (INCHES)	MOLINE PART #	KEYSEAT
1/2	D 1/2	1/8 X 1/16
5/8	D 5/8	3/16 X 3/32
3/4	D 3/4	3/16 X 3/32
7/8	D 7/8	3/16 X 3/32
15/16	D 15/16	1/4 X 1/8
1	D 1	1/4 X 1/8
1 1/8	D 1 1/8	1/4 X 1/8
1 3/16	D 1 3/16	1/4 X 1/8
1 1/4	D 1 1/4	1/4 X 1/8
1 5/16	D 1 5/16	5/16 X 1/16*
1 3/8	D 1 3/8	5/16 X 1/16*
1 7/16	D 1 7/16	3/8 X 1/16*
1 1/2	D 1 1/2	3/8 X 1/16*

\* Denotes shallow key, keystone is included.

Note: D bushings are comparable to H bushings made by other manufacturers.



**MOLINE BEARING CO.**

Post Office Box 99, Batavia, Illinois 60510, USA  
 630.584.4600, 800.242.4633, 630.584.1999 fax  
[www.molinebearing.com](http://www.molinebearing.com), [sales@molinebearing.com](mailto:sales@molinebearing.com)

TEL # **800.242.4633**

147

# BK - LIGHT DUTY PULLEYS

Single Groove Bored to Size for 4L or A and 5L or B Light Duty V-Belts

MOLINE PART #	O.D.	TYPE	STOCK BORES	F	L	N	D	WEIGHT
BK20	2.00	1	1/2	13/16	1 1/16	13/32	5/32	.4
BK24	2.40	1	1/2, 5/8, 3/4	13/16	1 1/16	13/32	5/32	.4
BK25	2.50	1	1/2, 5/8, 3/4, 7/8, 1	13/16	1 1/16	13/32	5/32	.5
BK26	2.60	1	1/2, 5/8, 3/4, 7/8	13/16	1 1/16	13/32	5/32	.6
BK27	2.70	2	1/2, 5/8, 3/4, 7/8, 1	13/16	1 1/16	13/32	5/32	.6
BK28	2.80	2	1/2, 5/8, 3/4, 7/8, 1, 1 1/8	13/16	1 1/16	13/32	5/32	.8
BK30	3.15	2	1/2, 5/8, 3/4, 7/8, 1	13/16	1 1/16	13/32	5/32	.8
BK32	3.35	2	1/2, 5/8, 3/4, 7/8	13/16	1 1/16	13/32	5/32	.8
BK34	3.55	2	1/2, 5/8, 3/4, 7/8, 1, 1 1/8	7/8	1 1/16	13/32	1/8	1.3
BK36	3.75	2	1/2, 5/8, 3/4, 7/8, 1, 1 1/8	7/8	1 5/32	13/32	1/8	1.5
BK40	3.95	2	1/2, 5/8, 3/4, 7/8, 1, 1 1/8	7/8	1 5/32	13/32	1/8	1.5
BK45	4.25	2	1/2, 5/8, 3/4, 7/8, 1, 1 1/8	7/8	1 5/32	13/32	1/8	1.8
BK47	4.45	2	1/2, 5/8, 3/4, 7/8, 1, 1 1/8	7/8	1 5/32	13/32	1/8	1.9
BK50	4.75	3	1/2, 5/8, 3/4, 7/8, 1, 1 1/8	7/8	1 5/32	13/32	1/8	2.0
BK52	4.95	3	1/2, 5/8, 3/4, 7/8, 1, 1 1/8	7/8	1 5/32	13/32	1/8	2.0
BK55	5.25	3	1/2, 5/8, 3/4, 7/8, 15/16, 1, 1 1/8, 1 3/16	7/8	1 5/32	13/32	1/8	2.2
BK57	5.45	3	5/8, 3/4, 7/8, 15/16, 1, 1 1/8	7/8	1 5/32	13/32	1/8	2.3
BK60	5.75	3	1/2, 5/8, 3/4, 7/8, 1, 1 1/8, 1 3/16	7/8	1 5/32	13/32	1/8	2.3
BK62	5.95	3	1/2, 5/8, 3/4, 7/8, 15/16, 1, 1 1/8, 1 3/16	7/8	1 5/32	13/32	1/8	2.4
BK65	6.25	3	5/8, 3/4, 1, 1 1/8	7/8	1 5/32	13/32	1/8	2.7
BK67	6.45	3	5/8, 3/4, 1, 1 1/8	7/8	1 15/32	13/32	1/8	2.8
BK70	6.75	3	5/8, 3/4, 15/16, 1, 1 1/8, 1 13/16, 1 7/16	7/8	1 15/32	21/32	1/16	3.3
BK72	6.95	3	3/4, 1, 1 1/8, 1 3/8	7/8	1 15/32	21/32	1/16	3.9
BK75	7.25	3	3/4, 1, 1 1/8, 1 3/8	7/8	1 15/32	21/32	1/16	3.9
BK77	7.45	3	3/4, 1, 1 1/8, 1 3/8	7/8	1 15/32	21/32	1/16	4.1
BK80	7.75	3	5/8, 3/4, 7/8, 1, 1 1/8, 1 13/16, 1 1/4, 1 3/8, 1 7/16	7/8	1 15/32	21/32	1/16	4.4
BK85	8.25	3	3/4, 1, 1 1/8, 1 3/8, 1 7/16	7/8	1 15/32	21/32	1/16	5.0
BK90	8.75	3	5/8, 3/4, 7/8, 15/16, 1, 1 1/8, 1 3/16, 1 1/4, 1 3/8, 1 7/16	7/8	1 15/32	21/32	1/16	5.0
BK95	9.25	3	3/4, 1, 1 1/8, 1 3/8, 1 3/16, 1 1/4	7/8	1 15/32	21/32	1/16	5.4
BK100	9.75	3	3/4, 7/8, 15/16, 1, 1 1/8, 1 13/16, 1 1/4, 1 3/8, 1 7/16	7/8	1 15/32	21/32	1/16	5.6

PULLEYS

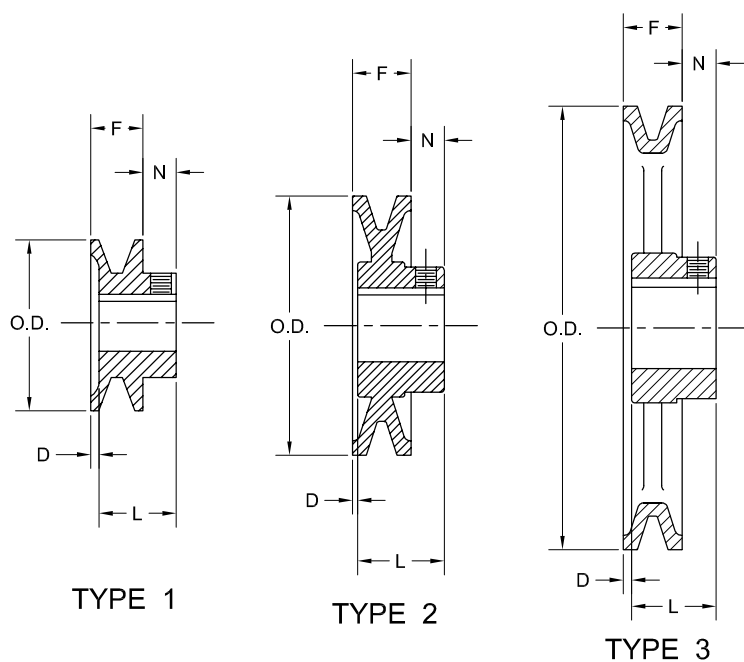


## BK - LIGHT DUTY PULLEYS

Single Groove Bored to Size for 4L or A and 5L or B Light Duty V-Belts

MOLINE PART #	O.D.	TYPE	STOCK BORES	F	L	N	D	WEIGHT
BK105	10.25	3	1, 1 3/8, 1 7/16	7/8	1 15/32	2 1/32	1/16	5.8
BK110	10.75	3	3/4, 1, 1 1/8, 1 3/16, 1 3/8, 1 7/16	7/8	1 15/32	2 1/32	1/16	6.4
BK115	11.25	3	1, 1 7/16	7/8	1 15/32	2 1/32	1/16	6.9
BK120	11.75	3	3/4, 1, 1 3/16, 1 7/16	7/8	1 15/32	2 1/32	1/16	7.4
BK130	12.75	3	3/4, 1, 1 1/8, 1 3/16, 1 1/4, 1 7/16	7/8	1 15/32	2 1/32	1/16	8.4
BK140	13.75	3	3/4, 1, 1 3/16, 1 7/16	7/8	1 15/32	2 1/32	1/16	9.4
BK160	15.75	3	1, 1 1/8, 1 3/16, 1 1/4, 1 7/16	7/8	1 15/32	2 1/32	1/16	11.4
BK190	18.75	3	1, 1 3/16, 1 1/4, 1 7/16	7/8	1 15/32	2 1/32	1/16	13.4

Pulleys are cast iron with a black oxide finish and 1 set screw.



PULLEYS

For personal service and special requests, please call us at 800.242.4633.

CAD drawings available upon request at no additional charge.



**MOLINE BEARING CO.**

Post Office Box 99, Batavia, Illinois 60510, USA  
630.584.4600, 800.242.4633, 630.584.1999 fax  
www.molinebearing.com, sales@molinebearing.com

TEL # **800.242.4633**

149

## 2BK - LIGHT DUTY PULLEYS

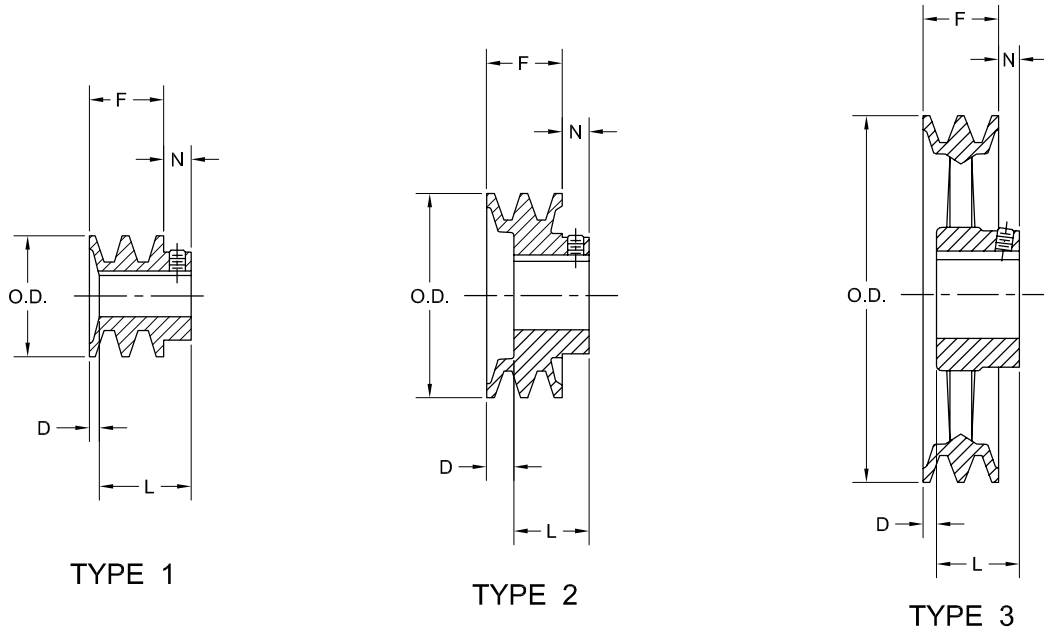
Double Groove Bored to Size for 4L or 5L Light Duty V-Belts

MOLINE PART #	O.D.	TYPE	STOCK BORES	F	L	N	D	WEIGHT
2BK25	2.50	1	1/2, 5/8, 3/4, 7/8	1 3/4	1 31/32	15/32	1/4	1.3
2BK27	2.70	1	1/2, 5/8, 3/4, 7/8, 1, 1 1/8	1 3/4	1 31/32	15/32	1/4	1.6
2BK28	2.80	1	1/2, 5/8, 3/4, 7/8, 1, 1 1/8	1 3/4	1 31/32	15/32	1/4	1.9
2BK30	3.15	1	1/2, 5/8, 3/4, 7/8, 1, 1 1/8	1 3/4	1 31/32	15/32	1/4	2.3
2BK32	3.35	1	5/8, 3/4, 7/8, 1, 1 1/8	1 3/4	1 31/32	15/32	1/4	2.6
2BK34	3.55	1	5/8, 3/4, 7/8, 1, 1 1/8	1 3/4	1 31/32	15/32	1/4	2.8
2BK36	3.75	1	5/8, 3/4, 7/8, 1, 1 1/8, 1 3/8	1 3/4	1 31/32	15/32	1/4	3.3
2BK40	3.95	1	5/8, 3/4, 7/8, 1, 1 1/8	1 3/4	1 15/32	15/32	3/4	3.3
2BK45	4.25	2	1, 1 1/8, 1 3/8	1 3/4	1 15/32	15/32	3/4	3.3
2BK47	4.45	2	7/8, 1, 1 1/8	1 3/4	1 15/32	15/32	3/4	3.7
2BK50	4.75	2	3/4, 1, 1 1/8, 1 3/16, 1 3/8	1 3/4	1 15/32	15/32	3/4	4.1
2BK52	4.95	2	5/8, 3/4, 7/8, 1, 1 1/8, 1 3/16, 1 3/8	1 3/4	1 15/32	15/32	3/4	4.5
2BK55	5.25	2	3/4, 1, 1 1/8, 1 3/8	1 3/4	1 15/32	15/32	3/4	4.5
2BK57	5.45	2	1, 1 1/8, 1 3/8	1 3/4	1 15/32	15/32	3/4	5.1
2BK60	5.75	3	3/4, 7/8, 1, 1 1/8, 1 3/8	1 3/4	1 15/32	15/32	3/4	4.9
2BK62	5.95	3	1, 1 1/8	1 3/4	1 15/32	15/32	3/4	4.8
2BK65	6.25	3	1, 1 1/8, 1 3/8	1 3/4	1 15/32	15/32	3/4	5.0
2BK67	6.45	3	1, 1 1/8, 1 3/8	1 3/4	1 15/32	15/32	3/4	5.0
2BK70	6.75	3	3/4, 1, 1 1/8, 1 3/16, 1 3/8, 1 7/16	1 3/4	1 19/32	11/32	3/4	6.6
2BK80	7.75	3	3/4, 1, 1 1/8, 1 3/16, 1 3/8, 1 7/16	1 3/4	1 19/32	11/32	1/2	7.2
2BK90	8.75	3	3/4, 1, 1 1/8, 1 3/16, 1 3/8, 1 7/16	1 3/4	1 19/32	11/32	1/2	8.4
2BK100	9.75	3	3/4, 1, 1 3/16, 1 3/8, 1 7/16	1 3/4	1 19/32	11/32	1/2	9.4
2BK110	10.75	3	1, 1 3/16, 1 7/16	1 3/4	1 19/32	11/32	1/2	10.4
2BK120	11.75	3	1, 1 3/16, 1 7/16	1 3/4	1 19/32	11/32	1/2	11.8
2BK130	12.75	3	1, 1 3/16, 1 7/16	1 3/4	1 19/32	11/32	1/2	14.9
2BK140	13.75	3	1, 1 3/16, 1 7/16	1 3/4	1 19/32	11/32	1/2	16.3
2BK160	15.75	3	1, 1 3/16, 1 7/16	1 3/4	1 19/32	11/32	1/2	18.0
2BK190	18.75	3	1 3/16, 1 7/16	1 3/4	1 19/32	11/32	1/2	23.3

Pulleys are cast iron with a black oxide finish and 1 set screw.



## 2BK - LIGHT DUTY PULLEYS



For personal service and special requests, please call us at 800.242.4633.  
CAD drawings available upon request at no additional charge.

PULLEYS



**MOLINE BEARING CO.**

Post Office Box 99, Batavia, Illinois 60510, USA  
630.584.4600, 800.242.4633, 630.584.1999 fax  
www.molinebearing.com, sales@molinebearing.com

TEL # **800.242.4633**

151

## BKD - LIGHT DUTY PULLEYS

Single Groove Bushed for 4L or A, and 5L or B Light Duty V-Belts

MOLINE PART #	O.D.	TYPE	F	L	P	X	WEIGHT
BK30D	3.15	1	$\frac{7}{8}$	1 $\frac{1}{4}$	$\frac{7}{8}$	1 $\frac{5}{16}$	.8
BK32D	3.35	1	$\frac{7}{8}$	1 $\frac{1}{4}$	$\frac{7}{8}$	1 $\frac{5}{16}$	.8
BK34D	3.55	1	$\frac{7}{8}$	1 $\frac{1}{4}$	$\frac{7}{8}$	1 $\frac{5}{16}$	1.3
BK36D	3.75	2	$\frac{7}{8}$	1 $\frac{1}{4}$	$\frac{7}{16}$	$\frac{7}{8}$	1.5
BK40D	3.95	2	$\frac{7}{8}$	1 $\frac{1}{4}$	$\frac{7}{16}$	$\frac{7}{8}$	1.5
BK45D	4.25	2	$\frac{7}{8}$	1 $\frac{1}{4}$	$\frac{7}{16}$	$\frac{7}{8}$	1.8
BK47D	4.45	2	$\frac{7}{8}$	1 $\frac{1}{4}$	$\frac{7}{16}$	$\frac{7}{8}$	1.9
BK50D	4.75	2	$\frac{7}{8}$	1 $\frac{1}{4}$	$\frac{7}{16}$	$\frac{7}{8}$	2.0
BK52D	4.95	2	$\frac{7}{8}$	1 $\frac{1}{4}$	$\frac{7}{16}$	$\frac{7}{8}$	2.0
BK55D	5.25	2	$\frac{7}{8}$	1 $\frac{1}{4}$	$\frac{7}{16}$	$\frac{7}{8}$	2.2
BK57D	5.45	2	$\frac{7}{8}$	1 $\frac{1}{4}$	$\frac{7}{16}$	$\frac{7}{8}$	2.3
BK60D	5.75	2	$\frac{7}{8}$	1 $\frac{1}{4}$	$\frac{7}{16}$	$\frac{7}{8}$	2.3
BK62D	5.95	2	$\frac{7}{8}$	1 $\frac{1}{4}$	$\frac{7}{16}$	$\frac{7}{8}$	2.4
BK65D	6.25	2	$\frac{7}{8}$	1 $\frac{1}{4}$	$\frac{7}{16}$	$\frac{7}{8}$	2.7
BK67D	6.45	2	$\frac{7}{8}$	1 $\frac{1}{4}$	$\frac{7}{16}$	$\frac{7}{8}$	2.8
BK70D	6.75	3	$\frac{7}{8}$	1 $\frac{1}{4}$	$\frac{1}{2}$	$\frac{7}{8}$	3.3
BK72D	6.95	3	$\frac{7}{8}$	1 $\frac{1}{4}$	$\frac{1}{2}$	$\frac{7}{8}$	3.9
BK75D	7.25	3	$\frac{7}{8}$	1 $\frac{1}{4}$	$\frac{1}{2}$	$\frac{7}{8}$	3.9
BK77D	7.45	3	$\frac{7}{8}$	1 $\frac{1}{4}$	$\frac{1}{2}$	$\frac{7}{8}$	4.1
BK80D	7.75	3	$\frac{7}{8}$	1 $\frac{1}{4}$	$\frac{1}{2}$	$\frac{7}{8}$	4.4
BK85D	8.25	3	$\frac{7}{8}$	1 $\frac{1}{4}$	$\frac{1}{2}$	$\frac{7}{8}$	5.0
BK90D	8.75	3	$\frac{7}{8}$	1 $\frac{1}{4}$	$\frac{1}{2}$	$\frac{7}{8}$	5.0
BK95D	9.25	3	$\frac{7}{8}$	1 $\frac{1}{4}$	$\frac{1}{2}$	$\frac{7}{8}$	5.4
BK100D	9.75	3	$\frac{7}{8}$	1 $\frac{1}{4}$	$\frac{1}{2}$	$\frac{7}{8}$	5.6
BK105D	10.25	3	$\frac{7}{8}$	1 $\frac{1}{4}$	$\frac{1}{2}$	$\frac{7}{8}$	5.8
BK110D	10.75	3	$\frac{7}{8}$	1 $\frac{1}{4}$	$\frac{1}{2}$	$\frac{7}{8}$	6.4



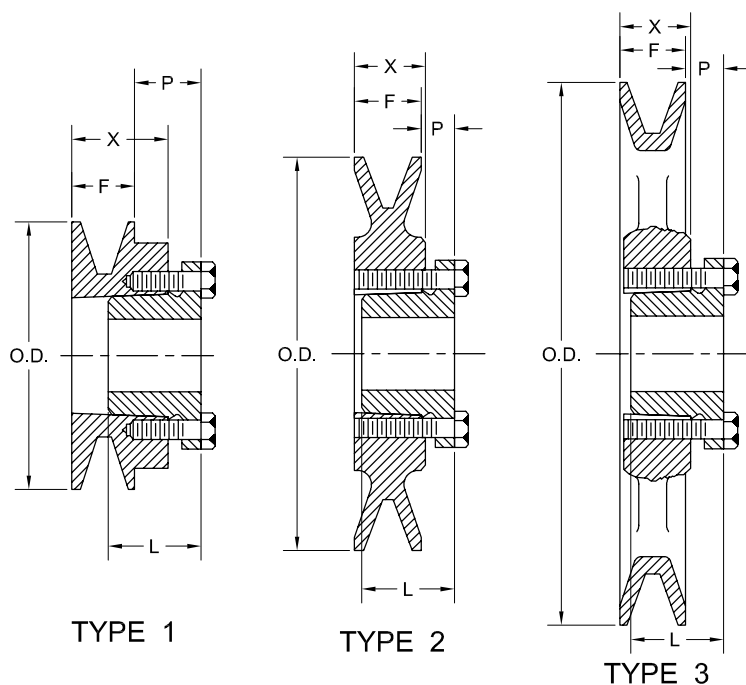
## BKD - LIGHT DUTY PULLEYS

Single Groove Bushed for 4L or A, and 5L or B Light Duty V-Belts

MOLINE PART #	O.D.	TYPE	F	L	P	X	WEIGHT
BK115D	11.25	3	$\frac{7}{8}$	1 $\frac{1}{4}$	$\frac{1}{2}$	$\frac{7}{8}$	6.9
BK120D	11.75	3	$\frac{7}{8}$	1 $\frac{1}{4}$	$\frac{1}{2}$	$\frac{7}{8}$	7.4
BK130D	12.75	3	$\frac{7}{8}$	1 $\frac{1}{4}$	$\frac{1}{2}$	$\frac{7}{8}$	8.4
BK140D	13.75	3	$\frac{7}{8}$	1 $\frac{1}{4}$	$\frac{1}{2}$	$\frac{7}{8}$	9.4
BK150D	13.75	3	$\frac{7}{8}$	1 $\frac{1}{4}$	$\frac{1}{2}$	$\frac{7}{8}$	12.3
BK160D	15.75	3	$\frac{7}{8}$	1 $\frac{1}{4}$	$\frac{1}{2}$	$\frac{7}{8}$	11.4
BK190D	18.75	3	$\frac{7}{8}$	1 $\frac{1}{4}$	$\frac{1}{2}$	$\frac{7}{8}$	13.4

Pulleys are cast iron with a black oxide finish.

Refer to page 155 for appropriate D Bushings.



PULLEYS

For personal service and special requests, please call us at 800.242.4633.

CAD drawings available upon request at no additional charge.



**MOLINE BEARING CO.**

Post Office Box 99, Batavia, Illinois 60510, USA  
 630.584.4600, 800.242.4633, 630.584.1999 fax  
 www.molinebearing.com, sales@molinebearing.com

TEL # **800.242.4633**

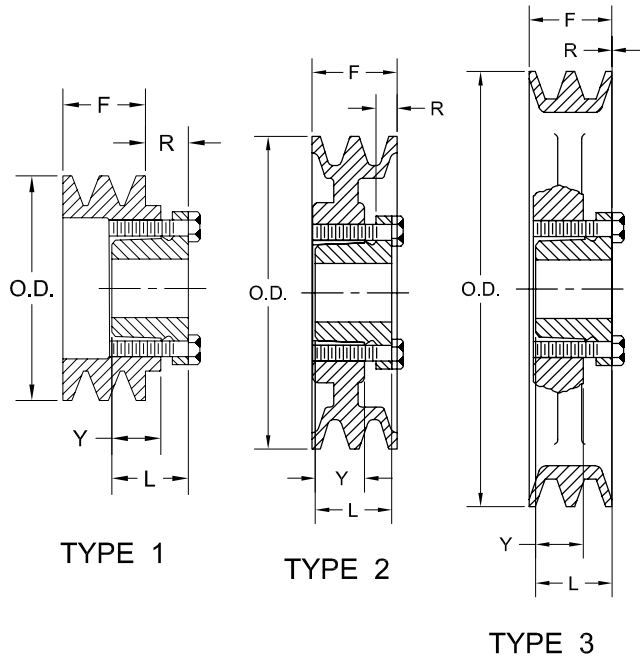
153



## 2BKD - LIGHT DUTY PULLEYS

Double Groove Bushed for 4L or A, and 5L or B Light Duty V-Belts

MOLINE PART #	O.D.	TYPE	F	L	R	Y	WEIGHT
2BK32D	3.35	1	1 3/4	1 1/4	7/8	7/8	2.1
2BK34D	3.55	1	1 3/4	1 1/4	7/8	7/8	2.4
2BK36D	3.75	1	1 3/4	1 1/4	7/16	7/8	2.0
2BK40D	3.95	1	1 3/4	1 1/4	7/16	7/8	2.4
2BK45D	4.25	1	1 3/4	1 1/4	7/16	7/8	3.0
2BK47D	4.45	2	1 3/4	1 1/4	7/16	7/8	2.8
2BK50D	4.75	2	1 3/4	1 1/4	7/16	7/8	3.3
2BK52D	4.95	2	1 3/4	1 1/4	7/16	7/8	3.6
2BK55D	5.25	2	1 3/4	1 1/4	7/16	7/8	3.9
2BK57D	5.45	2	1 3/4	1 1/4	7/16	7/8	4.3
2BK60D	5.75	2	1 3/4	1 1/4	7/16	7/8	4.4
2BK62D	5.95	2	1 3/4	1 1/4	7/16	7/8	4.5
2BK65D	6.25	3	1 3/4	1 1/4	7/16	7/8	4.5
2BK67D	6.45	3	1 3/4	1 1/4	7/16	7/8	5.0
2BK70D	6.75	3	1 3/4	1 1/4	7/16	7/8	5.1
2BK80D	7.75	3	1 3/4	1 1/4	7/16	7/8	6.4
2BK90D	8.75	3	1 3/4	1 1/4	7/16	7/8	7.6
2BK100D	9.75	3	1 3/4	1 1/4	7/16	7/8	8.4
2BK110D	10.75	3	1 3/4	1 1/4	7/16	7/8	9.3
2BK120D	11.75	3	1 3/4	1 1/4	7/16	7/8	11.0
2BK130D	12.75	3	1 3/4	1 1/4	7/16	7/8	13.1
2BK140D	13.75	3	1 3/4	1 1/4	7/16	7/8	14.8
2BK160D	15.75	3	1 3/4	1 1/4	7/16	7/8	17.5
2BK190D	18.75	3	1 3/4	1 1/4	7/16	7/8	21.5



Pulleys are cast iron with a black oxide finish.

Refer to page 155 for appropriate D Bushings.

For personal service and special requests, please call us at 800.242.4633.

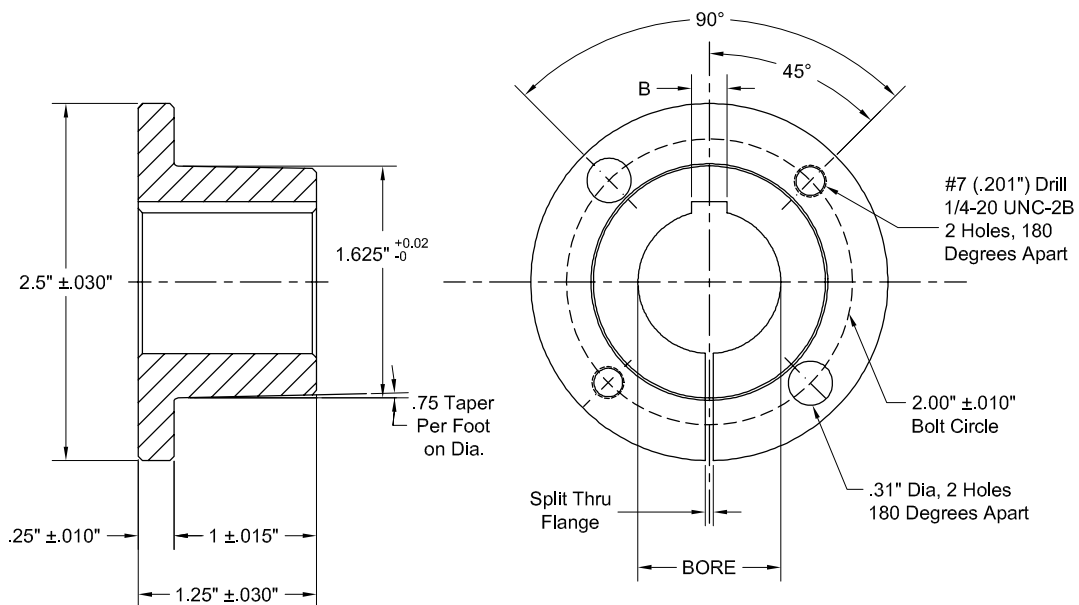
CAD drawings available upon request at no additional charge.

# D BUSHINGS

STOCK BORE (INCHES)	MOLINE PART #	KEYSEAT
1/2	D 1/2	1/8 X 1/16
5/8	D 5/8	3/16 X 3/32
3/4	D 3/4	3/16 X 3/32
7/8	D 7/8	3/16 X 3/32
15/16	D 15/16	1/4 X 1/8
1	D 1	1/4 X 1/8
1 1/8	D 1 1/8	1/4 X 1/8
1 3/16	D 1 3/16	1/4 X 1/8
1 1/4	D 1 1/4	1/4 X 1/8
1 5/16	D 1 5/16	5/16 X 1/16*
1 3/8	D 1 3/8	5/16 X 1/16*
1 7/16	D 1 7/16	3/8 X 1/16*
1 1/2	D 1 1/2	3/8 X 1/16*

\* Denotes shallow key, keystone is included.

Note: D bushings are comparable to H bushings made by other manufacturers.



**MOLINE BEARING CO.**

Post Office Box 99, Batavia, Illinois 60510, USA  
 630.584.4600, 800.242.4633, 630.584.1999 fax  
 www.molinebearing.com, sales@molinebearing.com

TEL # **800.242.4633**

155

## A-B COMBINATION PULLEY - QD STYLE, 1-GROOVE

F = 7/8", \*\*F = 1"

MOLINE PART #	BUSHING	BORE RANGE	TYPE*	D.D.		O.D.	E	L	M	WT. LESS BUSHING
				"B" BELTS	"A" BELTS					
1B34SH	SH	1/2" - 1 1/8"	E-1	3.4	3.0	3.75	7/32	1 5/8	2 1/32	2.0
1B36SH	SH	1/2 - 1 1/8	D-1	3.6	3.2	3.95	19/32	1 5/8	5/32	2.2
1B38SH	SH	1/2 - 1 1/8	D-1	3.8	3.4	4.15	19/32	1 5/8	5/32	2.4
1B40SH	SH	1/2 - 1 1/8	C-1	4.0	3.6	4.35	1 1/32	1 5/8	3/32	2.7
1B42SH	SH	1/2 - 1 1/8	C-1	4.2	3.8	4.55	1 1/32	1 5/8	3/32	2.9
1B44SH	SH	1/2 - 1 1/8	C-1	4.4	4.0	4.75	1 1/32	1 5/8	3/32	3.4
1B46SDS	SDS	1/2 - 2	C-1	4.6	4.2	4.95	1 1/32	1 5/8	3/32	4.0
1B48SDS	SDS	1/2 - 2	C-1	4.8	4.4	5.15	1 1/32	1 5/8	3/32	4.3
1B50SDS	SDS	1/2 - 2	C-1	5.0	4.6	5.35	1 1/32	1 5/8	3/32	4.7
1B52SDS	SDS	1/2 - 2	C-1	5.2	4.8	5.55	1 1/32	1 5/8	3/32	5.0
1B54SDS	SDS	1/2 - 2	C-1	5.4	5.0	5.75	1 1/32	1 5/8	3/32	5.3
1B56SDS	SDS	1/2 - 2	C-1	5.6	5.2	5.95	1 1/32	1 5/8	3/32	5.6
1B58SDS	SDS	1/2 - 2	C-1	5.8	5.4	6.15	1 1/32	1 5/8	3/32	5.9
1B60SDS	SDS	1/2 - 2	C-1	6.0	5.6	6.35	1 1/32	1 5/8	3/32	6.2
1B62SDS	SDS	1/2 - 2	C-1	6.2	5.8	6.55	1 1/32	1 5/8	3/32	6.5
1B64SDS	SDS	1/2 - 2	C-1	6.4	6.0	6.75	1 1/32	1 5/8	3/32	6.8
1B66SDS	SDS	1/2 - 2	C-1	6.6	6.2	6.95	1 1/32	1 5/8	3/32	7.2
1B68SDS	SDS	1/2 - 2	C-1	6.8	6.4	7.15	1 1/32	1 5/8	3/32	7.5
1B70SDS	SDS	1/2 - 2	C-1	7.0	6.6	7.35	1 1/32	1 5/8	3/32	7.8
1B74SDS**	SDS	1/2 - 2	C-2	7.4	7.0	7.75	17/32	1 5/8	7/32	8.8
1B80SDS**	SDS	1/2 - 2	C-2	8.0	7.6	8.35	17/32	1 5/8	7/32	9.6
1B86SDS**	SDS	1/2 - 2	C-2	8.6	8.2	8.95	17/32	1 5/8	7/32	10.0
1B94SDS	SDS	1/2 - 2	C-2	9.4	9.0	9.75	17/32	1 5/8	7/32	10.5



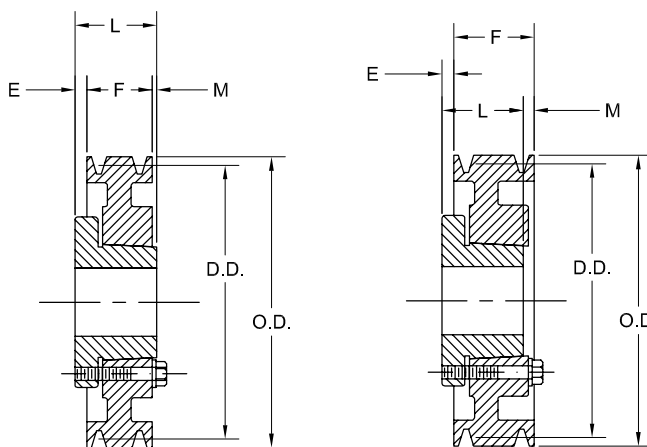
## A-B COMBINATION PULLEY - QD STYLE, 1-GROOVE

F = 7/8", \*\*F = 1"

MOLINE PART #	BUSHING	BORE RANGE	TYPE*	D.D.		O.D.	E	L	M	WT. LESS BUSHING
				"B" BELTS	"A" BELTS					
1B110SDS**	SDS	1/2 - 2	D-3	11.0	10.6	11.35	17/32	1 5/16	7/32	11.0
1B124SDS**	SDS	1/2 - 2	D-3	12.4	12.0	12.75	17/32	1 5/16	7/32	12.0
1B136SDS**	SDS	1/2 - 2	D-3	13.6	13.2	13.95	17/32	1 5/16	7/32	14.0
1B154SK**	SK	1/2 - 2 5/8	C-3	15.4	15.0	15.75	2 1/32	1 15/16	9/32	16.0
1B160SK	SK	1/2 - 2 5/8	C-3	16.0	15.6	16.35	2 1/32	1 15/16	9/32	16.6
1B184SK**	SK	1/2 - 2 5/8	C-3	18.4	18.0	18.75	2 1/32	1 15/16	9/32	18.0

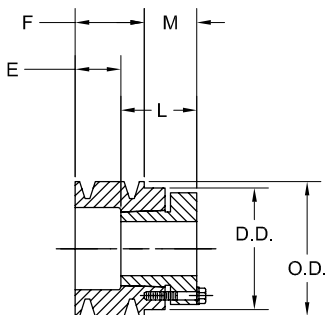
Pulleys are cast iron with a black oxide finish.

\* Denotes 1=Solid Construction; 2=Web Construction; 3=Arm Construction



TYPE C

TYPE D



TYPE E



PULLEYS

For personal service and special requests, please call us at 800.242.4633.

CAD drawings available upon request at no additional charge.



**MOLINE BEARING CO.**

Post Office Box 99, Batavia, Illinois 60510, USA  
630.584.4600, 800.242.4633, 630.584.1999 fax  
www.molinebearing.com, sales@molinebearing.com

TEL # **800.242.4633**

157

# A-B COMBINATION PULLEY - QD STYLE, 2-GROOVE

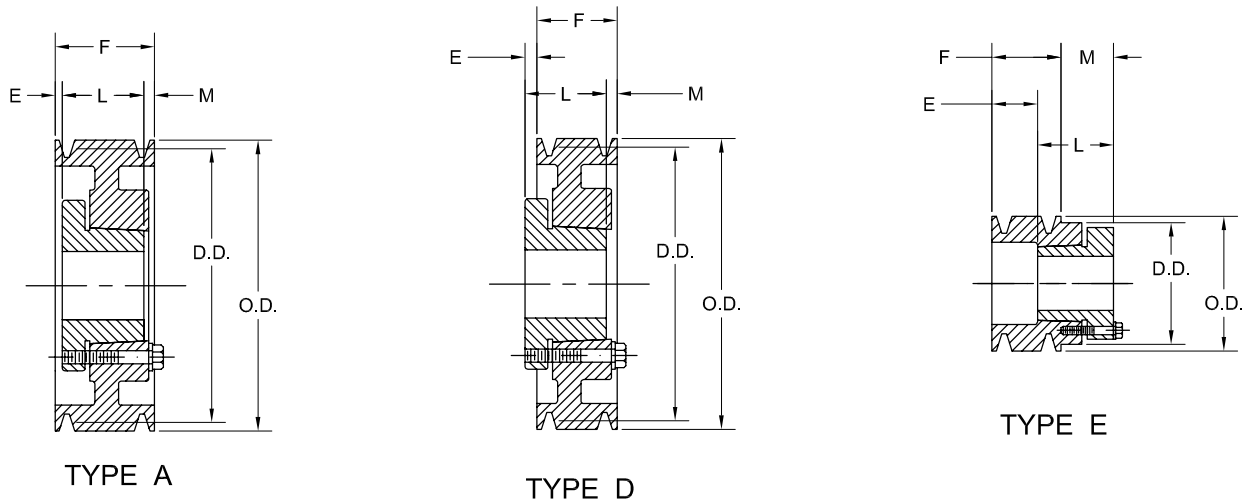
F = 1 3/4"

MOLINE PART #	BUSHING	BORE RANGE	TYPE*	D.D.		O.D.	E	L	M	WT. LESS BUSHING
				"B" BELTS	"A" BELTS					
2B34SH	SH	1/2 - 1 5/8	E-1	3.4	3.0	3.75	1 3/32	1 5/16	2 1/32	3.2
2B36SH	SH	1/2 - 1 5/8	D-1	3.6	3.2	3.95	15/32	1 5/16	29/32	3.4
2B38SH	SH	1/2 - 1 5/8	D-1	3.8	3.4	4.15	15/32	1 5/16	29/32	3.9
2B40SH	SH	1/2 - 1 5/8	A-1	4.0	3.6	4.35	1/32	1 5/16	13/32	4.1
2B42SH	SH	1/2 - 1 5/8	A-1	4.2	3.8	4.55	1/32	1 5/16	13/32	4.4
2B44SH	SH	1/2 - 1 5/8	A-1	4.4	4.0	4.75	1/32	1 5/16	13/32	4.6
2B46SDS	SDS	1/2 - 2	A-1	4.6	4.2	4.95	1/32	1 5/16	13/32	5.0
2B48SDS	SDS	1/2 - 2	A-1	4.8	4.4	5.15	1/32	1 5/16	13/32	5.4
2B50SDS	SDS	1/2 - 2	A-1	5.0	4.6	5.35	1/32	1 5/16	13/32	6.0
2B52SDS	SDS	1/2 - 2	A-1	5.2	4.8	5.55	1/32	1 5/16	13/32	6.3
2B54SDS	SDS	1/2 - 2	A-1	5.4	5.0	5.75	1/32	1 5/16	13/32	6.6
2B56SDS	SDS	1/2 - 2	A-2	5.6	5.2	5.95	1/32	1 5/16	13/32	6.9
2B58SDS	SDS	1/2 - 2	A-2	5.8	5.4	6.15	1/32	1 5/16	13/32	7.2
2B60SDS	SDS	1/2 - 2	A-2	6.0	5.6	6.35	1/32	1 5/16	13/32	7.5
2B62SDS	SDS	1/2 - 2	A-2	6.2	5.8	6.55	1/32	1 5/16	13/32	7.8
2B64SDS	SDS	1/2 - 2	A-2	6.4	6.0	6.75	1/32	1 5/16	13/32	8.2
2B66SDS	SDS	1/2 - 2	A-2	6.6	6.2	6.95	1/32	1 5/16	13/32	8.6
2B68SDS	SDS	1/2 - 2	A-3	6.8	6.4	7.15	1/32	1 5/16	13/32	9.0
2B70SK	SK	1/2 - 2 5/8	D-1	7.0	6.6	7.35	1 1/32	1 15/16	5/32	9.3
2B74SK	SK	1/2 - 2 5/8	D-3	7.4	7.0	7.75	1 1/32	1 15/16	5/32	10.6
2B80SK	SK	1/2 - 2 5/8	D-3	8.0	7.6	8.35	1 1/32	1 15/16	5/32	11.0
2B86SK	SK	1/2 - 2 5/8	D-3	8.6	8.2	8.95	1 1/32	1 15/16	5/32	11.6
2B94SK	SK	1/2 - 2 5/8	D-3	9.4	9.0	9.75	1 1/32	1 15/16	5/32	13.0
2B110SK	SK	1/2 - 2 5/8	D-3	11.0	10.6	11.35	1 1/32	1 15/16	5/32	14.0
2B124SK	SK	1/2 - 2 5/8	D-3	12.4	12.0	12.75	1 1/32	1 15/16	5/32	18.0
2B136SK	SK	1/2 - 2 5/8	D-3	13.6	13.2	13.95	1 1/32	1 15/16	5/32	20.0
2B154SK	SK	1/2 - 2 5/8	D-3	15.4	15.0	15.75	1 1/32	1 15/16	5/32	23.0
2B160SK	SK	1/2 - 2 5/8	D-3	16.0	15.6	16.35	1 1/32	1 15/16	5/32	24.0
2B184SK	SK	1/2 - 2 5/8	D-3	18.4	18.0	18.75	1 1/32	1 15/16	5/32	29.0
2B200SF	SF	1/2 - 2 15/16	D-3	20.0	19.6	20.35	15/32	2 1/16	5/32	33.0

PULLEYS



## A-B COMBINATION PULLEY - QD STYLE, 2-GROOVE



Pulleys are cast iron with a black oxide finish.

\* Denotes 1=Solid Construction; 2=Web Construction; 3=Arm Construction



For personal service and special requests, please call us at 800.242.4633.  
CAD drawings available upon request at no additional charge.

PULLEYS



**MOLINE BEARING CO.**

Post Office Box 99, Batavia, Illinois 60510, USA  
630.584.4600, 800.242.4633, 630.584.1999 fax  
www.molinebearing.com, sales@molinebearing.com

TEL # **800.242.4633**

159

# A-B COMBINATION PULLEY - QD STYLE, 3-GROOVE

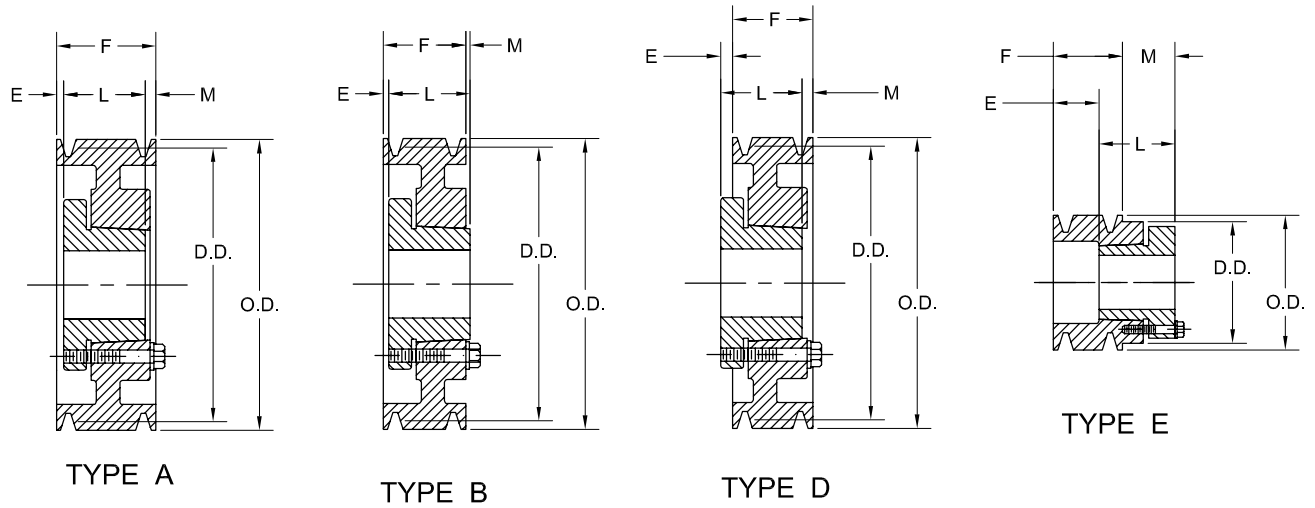
F = 2 1/2"

MOLINE PART #	BUSHING	BORE RANGE	TYPE*	D.D.		O.D.	E	L	M	WT. LESS BUSHING
				"B" BELTS	"A" BELTS					
3B34SH	SH	1/2 - 1 5/8	E-1	3.4	3.0	3.75	1 27/32	1 5/16	1 21/32	4.4
3B36SH	SH	1/2 - 1 5/8	D-1	3.6	3.2	3.95	15/32	1 5/16	1 21/32	4.7
3B38SH	SH	1/2 - 1 5/8	D-1	3.8	3.4	4.15	15/32	1 5/16	1 21/32	5.3
3B40SH	SH	1/2 - 1 5/8	D-1	4.0	3.6	4.35	15/32	1 5/16	1 21/32	5.6
3B42SH	SH	1/2 - 1 5/8	D-1	4.2	3.8	4.55	15/32	1 5/16	1 21/32	5.9
3B44SH	SH	1/2 - 1 5/8	D-1	4.4	4.0	4.75	15/32	1 5/16	1 21/32	6.3
3B46SD	SD	1/2 - 2	A-1	4.6	4.2	4.95	13/32	1 13/16	9/32	6.7
3B48SD	SD	1/2 - 2	A-1	4.8	4.4	5.15	13/32	1 13/16	9/32	7.1
3B50SD	SD	1/2 - 2	A-1	5.0	4.6	5.35	13/32	1 13/16	9/32	7.4
3B52SD	SD	1/2 - 2	A-1	5.2	4.8	5.55	13/32	1 13/16	9/32	7.8
3B54SD	SD	1/2 - 2	A-1	5.4	5.0	5.75	13/32	1 13/16	9/32	8.2
3B56SD	SD	1/2 - 2	A-1	5.6	5.2	5.95	13/32	1 13/16	9/32	8.5
3B58SD	SD	1/2 - 2	A-1	5.8	5.4	6.15	13/32	1 13/16	9/32	8.8
3B60SD	SD	1/2 - 2	A-1	6.0	5.6	6.35	13/32	1 13/16	9/32	9.1
3B62SD	SD	1/2 - 2	A-1	6.2	5.8	6.55	13/32	1 13/16	9/32	9.4
3B64SD	SD	1/2 - 2	A-1	6.4	6.0	6.75	13/32	1 13/16	9/32	9.7
3B66SD	SD	1/2 - 2	A-1	6.6	6.2	6.95	13/32	1 13/16	9/32	10.0
3B68SD	SD	1/2 - 2	B-3	6.8	6.4	7.15	13/32	1 13/16	9/32	10.5
3B70SK	SK	1/2 - 2 5/8	D-1	7.0	6.6	7.35	3/32	1 15/16	2 1/32	11.0
3B74SK	SK	1/2 - 2 5/8	D-3	7.4	7.0	7.75	3/32	1 15/16	2 1/32	12.0
3B80SK	SK	1/2 - 2 5/8	D-3	8.0	7.6	8.35	3/32	1 15/16	2 1/32	12.5
3B86SK	SK	1/2 - 2 5/8	D-3	8.6	8.2	8.95	3/32	1 15/16	2 1/32	13.0
3B94SK	SK	1/2 - 2 5/8	D-3	9.4	9.0	9.75	3/32	1 15/16	2 1/32	16.0
3B110SK	SK	1/2 - 2 5/8	D-3	11.0	10.6	11.35	3/32	1 15/16	2 1/32	19.0
3B124SK	SK	1/2 - 2 5/8	D-3	12.4	12.0	12.75	3/32	1 15/16	2 1/32	24.0
3B136SK	SK	1/2 - 2 5/8	D-3	13.6	13.2	13.95	3/32	1 15/16	2 1/32	27.0
3B154SK	SK	1/2 - 2 5/8	D-3	15.4	15.0	15.75	3/32	1 15/16	2 1/32	30.0
3B160SK	SK	1/2 - 2 5/8	D-3	16.0	15.6	16.35	3/32	1 15/16	2 1/32	33.0
3B184SK	SK	1/2 - 2 5/8	D-3	18.4	18.0	18.75	3/32	1 15/16	2 1/32	38.0
3B250SF	SF	1/2 - 2 15/16	D-3	25.0	24.6	25.35	7/32	2 1/16	2 1/32	54.0

PULLEYS



**A-B COMBINATION PULLEY - QD STYLE, 3-GROOVE**



Pulleys are cast iron with a black oxide finish.

\* Denotes 1=Solid Construction; 2=Web Construction; 3=Arm Construction



For personal service and special requests, please call us at 800.242.4633.  
CAD drawings available upon request at no additional charge.

PULLEYS



**MOLINE BEARING CO.**

Post Office Box 99, Batavia, Illinois 60510, USA  
630.584.4600, 800.242.4633, 630.584.1999 fax  
www.molinebearing.com, sales@molinebearing.com

TEL # **800.242.4633**

**161**



# A-B COMBINATION PULLEY - QD STYLE, 4-GROOVE

F = 3 1/4"

MOLINE PART #	BUSHING	BORE RANGE	TYPE*	D.D.		O.D.	E	L	M	WT. LESS BUSHING
				"B" BELTS	"A" BELTS					
4B34SD	SD	1/2 - 2	E-1	3.4	3.0	3.75	2 15/32	1 13/16	1 1/32	5.5
4B36SD	SD	1/2 - 2	E-1	3.6	3.2	3.95	2 15/32	1 13/16	1 1/32	5.8
4B38SD	SD	1/2 - 2	E-1	3.8	3.4	4.15	2 15/32	1 13/16	1 1/32	6.2
4B40SD	SD	1/2 - 2	E-1	4.0	3.6	4.35	2 3/32	1 13/16	2 1/32	6.6
4B42SD	SD	1/2 - 2	E-1	4.2	3.8	4.55	2 3/32	1 13/16	2 1/32	6.9
4B44SD	SD	1/2 - 2	E-1	4.4	4.0	4.75	2 3/32	1 13/16	2 1/32	7.2
4B46SD	SD	1/2 - 2	A-1	4.6	4.2	4.95	2 1/32	1 13/16	2 5/32	7.6
4B48SD	SD	1/2 - 2	A-1	4.8	4.4	5.15	2 1/32	1 13/16	2 5/32	8.0
4B50SD	SD	1/2 - 2	A-1	5.0	4.6	5.35	2 1/32	1 13/16	2 5/32	8.4
4B52SD	SD	1/2 - 2	A-1	5.2	4.8	5.55	2 1/32	1 13/16	2 5/32	8.8
4B54SD	SD	1/2 - 2	A-1	5.4	5.4	5.75	2 1/32	1 13/16	2 5/32	9.2
4B56SD	SD	1/2 - 2	A-1	5.6	5.2	5.95	2 1/32	1 13/16	2 5/32	9.6
4B58SD	SD	1/2 - 2	A-1	5.8	5.4	6.15	2 1/32	1 13/16	2 5/32	10.0
4B60SD	SD	1/2 - 2	A-1	6.0	5.6	6.35	2 1/32	1 13/16	2 5/32	10.4
4B62SD	SD	1/2 - 2	A-1	6.2	5.8	6.55	2 1/32	1 13/16	2 5/32	10.8
4B64SD	SD	1/2 - 2	A-1	6.4	6.0	6.75	2 1/32	1 13/16	2 5/32	12.0
4B66SD	SD	1/2 - 2	A-1	6.6	6.2	6.95	2 1/32	1 13/16	2 5/32	12.4
4B68SD	SD	1/2 - 2	A-3	6.8	6.4	7.15	2 1/32	1 13/16	2 5/32	13.0
4B70SK	SK	1/2 - 2 5/8	A-1	7.0	6.6	7.35	7/32	1 15/16	1 3/32	13.5
4B74SK	SK	1/2 - 2 5/8	A-3	7.4	7.0	7.75	7/32	1 15/16	1 3/32	14.0
4B80SK	SK	1/2 - 2 5/8	A-3	8.0	7.6	8.35	7/32	1 15/16	1 3/32	15.5
4B86SK	SK	1/2 - 2 5/8	A-3	8.6	8.2	8.95	7/32	1 15/16	1 3/32	17.0
4B94SK	SK	1/2 - 2 5/8	A-3	9.4	9.0	9.75	7/32	1 15/16	1 3/32	19.0
4B110SK	SK	1/2 - 2 5/8	A-3	11.0	10.6	11.35	7/32	1 15/16	1 3/32	22.0
4B124SK	SK	1/2 - 2 5/8	A-3	12.4	12.0	12.75	7/32	1 15/16	1 3/32	29.0

PULLEYS



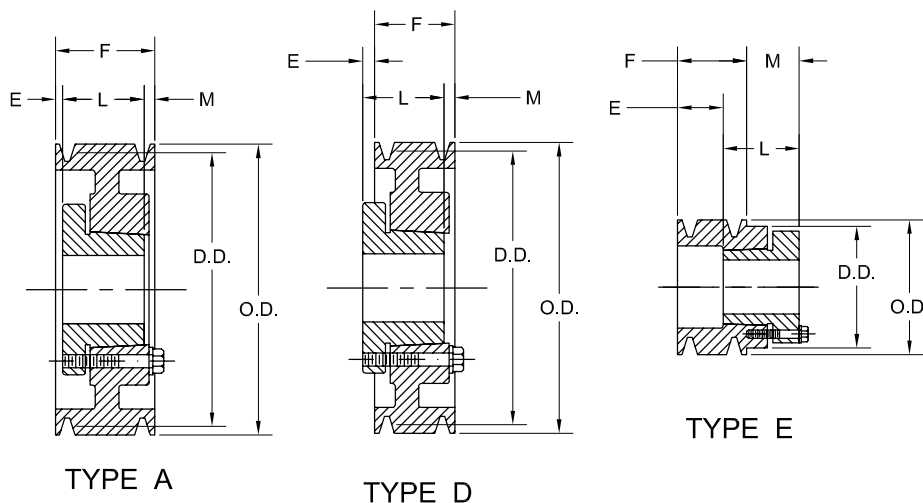
## A-B COMBINATION PULLEY - QD STYLE, 4-GROOVE

F = 3 1/4"

MOLINE PART #	BUSHING	BORE RANGE	TYPE*	D.D.		O.D.	E	L	M	WT. LESS BUSHING
				"B" BELTS	"A" BELTS					
4B136SK	SK	1/2 - 2 5/8	A-3	13.6	13.2	13.95	7/32	1 15/16	1 3/32	34.0
4B154SF	SF	1/2 - 2 15/16	A-3	15.4	15.0	15.75	5/32	2 1/16	1 1/32	39.0
4B160SF	SF	1/2 - 2 15/16	A-3	16.0	15.6	16.35	5/32	2 1/16	1 1/32	42.0
4B184SF	SF	1/2 - 2 15/16	A-3	18.4	18.0	18.75	5/32	2 1/16	1 1/32	47.0
4B200SF	SF	1/2 - 2 15/16	A-3	20.0	19.6	20.35	5/32	2 1/16	1 1/32	51.0
4B250E	E	7/8 - 3 1/2	D-3	25.0	24.6	25.35	5/32	2 3/4	2 1/32	73.0

Pulleys are cast iron with a black oxide finish and 1 set screw.

\* Denotes 1=Solid Construction; 2=Web Construction; 3=Arm Construction



PULLEYS

For personal service and special requests, please call us at 800.242.4633.

CAD drawings available upon request at no additional charge.



**MOLINE BEARING CO.**

Post Office Box 99, Batavia, Illinois 60510, USA  
 630.584.4600, 800.242.4633, 630.584.1999 fax  
 www.molinebearing.com, sales@molinebearing.com

TEL # **800.242.4633**

163

# PULLEY APPLICATION GUIDE

## REMOVING WORN V-BELTS

When preparing to install a new set of V-Belts, turn off the machine, lock electrical control switches where possible, and make sure all components are in a safe position. Be sure to follow the company safety standards and procedures that apply to your area and job.

Most drives have two pulleys/sheaves, one on the motor and one on the drive machine. The motor case usually has slotted holes to allow for adjustment toward and away from the drive machine. Loosen the motor hold down bolts and drive the motor toward the drive machine to the inner end of the adjustment to release the tension belts. Use a pry bar against the motor base if needed. The belts should now be quite loose. If the drive has an idler instead of an adjustable motor base, loosen the hold down bolts and swing the idler away from the belts, allowing them to hang loose. Be sure to use all the adjustment in the drive to loosen belts completely.

Now remove the belts carefully from each sheave/pulley. Do not move motor or machine after belt removal.

## WARNING—AVOID SERIOUS INJURY

Do not pry belts off drive or attempt to roll them off by rotating pulleys/sheaves. In doing this, you can severely cut your fingers or hands and may receive serious and/or permanent injury.

## INSPECTING PULLEYS/SHEAVES AND COMPONENTS

Check the pulleys/sheaves carefully for worn grooves or damage. (Safety tip: Always use gloves or a cleaning rag when checking the inside of grooves to avoid being cut by nicks or burrs.) Sometimes you can actually see the worn areas in the groove sidewall, but a more dependable way is to use a Sheave Gauge.

If pulleys/sheaves are excessively worn, remove them and replace with new ones. Worn pulleys/sheaves can seriously shorten the life of V-Belts, especially joined belts. If original pulleys/sheaves are satisfactory, or if new ones have been installed, put new belts on the drive as shown below.

NOTE: While drive is shut down, inspect all other drive components such as shafts, bearings and guards. Repair or replace damaged and worn parts.

## INSTALLING AND TENSIONING NEW V-BELTS

With the pulleys/sheaves or idler moved to minimum center distance for belt removal as described above, the new belts can be easily placed over the pulleys/sheaves and dropped into the grooves. (If the motor has been moved, readjust to provide slack for easy installation.)

## TENSION YOUR DRIVE PROPERLY

Your final installation step is to tension your drive properly for trouble-free service. In general, a few simple rules will eliminate tension problems:

- The best tension for a V-Belt is the lowest tension at which the belt will not slip under a full load.
- Simply take up the drive until the belts are snug in the grooves. Run the drive for about 15 minutes to “seat” the belts. If the belts slip, tighten them until they no longer slip at the peak load.
- Remember, too much tension shortens belt and bearing life.
- Check tension at the end of the first day’s operation. Check it periodically thereafter and make any necessary adjustments.

Although tensioning of a V-Belt drive is usually not critical, accurate tensioning can help assure proper drive performance. We realize that many experienced maintenance personnel have developed a “feel” for belt tension—but because of improved materials now being used by many manufacturers, today’s belt can “feel” considerably different on the drive.







# **QD AND TAPERED BUSHINGS**

# QD BUSHING APPLICATION GUIDE

The QD Type bushing offers flexible and easy installation while providing exceptional holding power. To ensure that the bushing performs as specified, it must be installed properly:

## INSTALLATION

1. Be sure the tapered cone surfaces of the bushing and the inside of the sprocket hub are clean.
2. Place bushing in sprocket.
3. Put the cap screws and lock washers loosely in the pull-up holes. The bushing remains fully expanded to assure sliding fit on the shaft.
4. With key on shaft, slide sprocket to the desired position on the shaft. Be sure the heads of the cap screws are on the outside.
5. Align the sprocket. Tighten the screws alternately and progressively, until they are pulled up tight. To increase leverage, use a wrench or length of pipe (see wrench torque chart). Do not allow the sprocket to be drawn in contact with the flange of the bushing; there should be a gap from  $\frac{1}{8}$ " to  $\frac{1}{4}$ ".

## REMOVAL

1. Loosen and remove cap screws.
2. Insert cap screws in tapped removal holes.
3. Tighten inserted screws until sprocket is loose on shaft.
4. Remove sprocket from shaft.

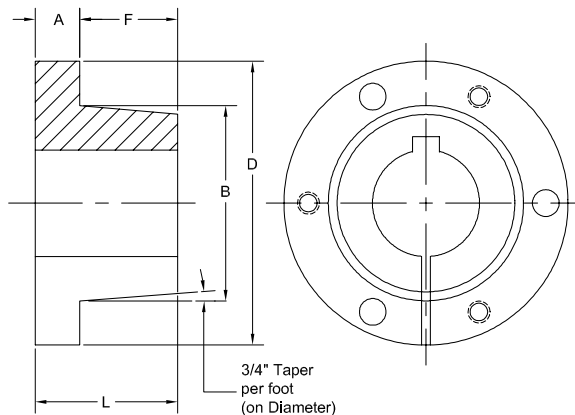
**CAUTION:** When mounting screws, apply pressure by hand only. If extreme tightening forces are applied, bursting pressures will be created in the sprocket hub. There should be a gap of  $\frac{1}{8}$ " to  $\frac{1}{4}$ " between the face of the sprocket hub and the flange of the QD bushing. This gap must not be closed. If the gap is closed under normal tightening, the shaft is seriously undersized.

QD BUSHING	TORQUE CAP (IN LBS.)	WRENCH TORQUE FOR NORMAL APPLICATION (IN LBS.)
JA	1,000	54
SH	3,500	108
SDS	5,000	108
SD	7,000	108
SK	11,000	180
SF	20,000	360
E	30,000	720
F	30,000	900
J	45,000	1,620
M	85,000	2,700
N	150,000	3,600
P	250,000	5,400



# QD BUSHING DIMENSIONS

QD BUSHING	A	B	D	F	L	BOLT CIRCLE DIA	NUMBER & SIZE OF CAP SCREWS REQUIRED	BUSHING BORE DIAMETER				AVG WGT (APPROX)
								MINIMUM BORE	KEYWAY - MAXIMUM BORE			
									FULL	SHALLOW	NO KEYWAY	
JA	5/16	1 3/8	2	9/16	1	1.66	3 - (10-24x1)	1/2	1	1 3/16	1 1/4	0.9
SH	7/16	1 7/8	2 5/8	3/4	1 5/16	2 1/4	3 - (1/4-20x1 3/8)	1/2	1 3/8	1-5/8	1 11/16	1.0
SDS	7/16	2 3/16	3 1/8	3/4	1 5/16	2 11/16	3 - (1/4-20x1 3/8)	1/2	1 5/8	1 15/16	2	1.0
SD	7/16	2 3/16	3 1/8	1 1/4	1 13/16	2 11/16	3 - (1/4-20x1 7/8)	1/2	1 5/8	1 15/16	2	1.5
SK	9/16	2 3/16	3 7/8	1 1/4	1 15/16	3 5/16	3 - (5/16-18x2)	1/2	2 1/8	2 1/2	2 5/8	2.0
SF	5/8	3 1/8	4 5/8	1 1/4	2 1/16	3 7/8	3 - (3/8-16x2)	1/2	2 5/16	2 13/16	2 15/16	3.0
E	7/8	3.834	6	1 5/8	2 3/4	5	3 - (1/2-13x2 3/4)	7/8	2 7/8	3 1/2	----	10.0
F	1	4 7/16	6 5/8	2 1/2	3 3/4	5 5/8	3 - (9/16-12x3 5/8)	1	3 15/16	3 15/16	4	11.5
J	1 1/8	5 5/64	7 1/4	3 3/16	4 5/8	6 1/4	3 - (5/8x4 1/2)	1 1/2	3 3/4	4 1/2	----	18.0
M	1 1/4	6 1/2	9	5 3/16	6 3/4	7 7/8	4 - (3/4x6 3/4)	2	4 3/4	5 1/2	----	46.0
N	1 1/2	7	10	6 1/4	8 1/8	8 1/2	4 - (7/8x8)	2 7/16	5	5 7/8	----	70.0
P	1 3/4	8 1/4	11 3/4	7 1/4	9 3/8	10	4 - (1x9 1/2)	2 15/16	5 15/16	7	----	133.0



**MOLINE BEARING CO.**

Post Office Box 99, Batavia, Illinois 60510, USA  
 630.584.4600, 800.242.4633, 630.584.1999 fax  
[www.molinebearing.com](http://www.molinebearing.com), [sales@molinebearing.com](mailto:sales@molinebearing.com)

TEL # **800.242.4633**

169



# QD BUSHINGS STOCK BORES AND KEYWAYS

BORE	BUSHING KEYWAY	SHAFT KEYSEAT	QD BUSHINGS STOCKED
1/2	1/8 x 1/16	1/8 x 1/16	JA SH SDS SD SK SF
9/16	1/8 x 1/16	1/8 x 1/16	JA SH SDS SD SK SF
5/8	3/16 x 3/32	3/16 x 3/16	JA SH SDS SD SK SF
11/16	3/16 x 3/32	3/16 x 3/16	JA SH SDS SD SK SF
3/4	3/16 x 3/32	3/16 x 3/16	JA SH SDS SD SK SF
13/16	3/16 x 3/32	3/16 x 3/16	JA SH SDS SD SK SF
7/8	3/16 x 3/32	3/16 x 3/16	JA SH SDS SD SK SF E
15/16	1/4 x 1/8	1/4 x 1/8	JA SH SDS SD SK SF E
1	1/4 x 1/8	1/4 x 1/8	JA SH SDS SD SK SF E F
1 1/16	1/4 x 1/16*	1/4 x 1/8	JA
1 1/4	1/4 x 1/8	1/4 x 1/8	SH SDS SD SK SF
1 1/8	1/4 x 1/16*	1/4 x 1/8	JA
1 1/8	1/4 x 1/8	1/4 x 1/8	SH SDS SD SK SF E F
1 3/16	1/4 x 1/16*	1/4 x 1/8	JA
1 3/16	1/4 x 1/8	1/4 x 1/8	SH SDS SD SK SF E F
1 1/4	NONE	NONE	JA
1 1/4	1/4 x 1/8	1/4 x 1/8	SH SDS SD SK SF E F
1 5/16	5/16 x 5/32	5/16 x 5/32	SH SDS SD SK SF E F
1 3/8	5/16 x 5/32	5/16 x 5/32	SH SDS SD SK SF E F
1 3/8	3/8 x 3/16	5/16 x 5/32	SH SF E
1 3/8	5/16 x 3/16	5/16 x 3/16	SF
1 7/16	3/8 x 1/16*	3/8 x 3/16	SH
1 7/16	3/8 x 3/16	3/8 x 3/16	SDS SD SK SF E F
1 1/2	3/8 x 1/16	3/8 x 3/16	SH
1 1/2	3/8 x 3/16	3/8 x 3/16	SDS SD SK SF E F
1 9/16	3/8 x 1/16	3/8 x 3/16	SH
1 9/16	3/8 x 3/16	3/8 x 3/16	SDS SD SK SF E F
1 5/8	3/8 x 1/16*	3/8 x 3/16	SH
1 5/8	3/8 x 3/16	3/8 x 3/16	SDS SD SK SF E F
1 11/16	NONE	NONE	SH
1 11/16	3/8 x 1/8*	3/8 x 3/16	SDS SD
1 11/16	3/8 x 3/16	3/8 x 3/16	SK SF E F

BORE	BUSHING KEYWAY	SHAFT KEYSEAT	QD BUSHINGS STOCKED
1 3/4	3/8 x 1/8*	3/8 x 3/16	SDS SD
1 3/4	3/8 x 3/16	3/8 x 3/16	SD SK SF E F
1 3/4	NONE	NONE	SH
1 13/16	1/2 x 1/16*	1/2 x 1/4	SDS SD
1 13/16	1/2 x 1/4	1/2 x 1/4	SK SF E F
1 7/8	1/2 x 1/16*	1/2 x 1/4	SDS SD
1 7/8	1/2 x 1/4	1/2 x 1/4	SK SF E F
1 15/16	1/2 x 1/16*	1/2 x 1/4	SDS SD
1 15/16	1/2 x 1/4	1/2 x 1/4	SK SF E F
2	NONE	NONE	SDS SD
2	1/2 x 1/4	1/2 x 1/4	SK SF E F
2 1/16	1/2 x 1/4	1/2 x 1/4	SK SF E F
2 1/8	1/2 x 1/4	1/2 x 1/4	SK SF E F
2 3/16	1/2 x 1/4	1/2 x 1/4	SF E F
2 3/16	1/2 x 3/16*	1/2 x 1/4	SK
2 1/4	1/2 x 3/16*	1/2 x 1/4	SK
2 1/4	1/2 x 1/4	1/2 x 1/4	SF E F
2 15/16	5/8 x 1/16*	5/8 x 5/16	SK
2 15/16	5/8 x 5/16	5/8 x 5/16	SF E F
2 3/8	5/8 x 1/16*	5/8 x 5/16	SK SF
2 3/8	5/8 x 5/16	5/8 x 5/16	E F
2 7/16	5/8 x 1/16*	5/8 x 5/16	SK SF
2 7/16	5/8 x 5/16	5/8 x 5/16	E F
2 1/2	5/8 x 1/16*	5/8 x 5/16	SK SF
2 1/2	5/8 x 5/16	5/8 x 5/16	E F
2 9/16	NONE	NONE	SK
2 9/16	5/8 x 1/16	5/8 x 5/16	SF
2 9/16	5/8 x 5/16	5/8 x 5/16	E F

Bushings are supplied with cap screws only.

\* Denotes shallow key.



## QD BUSHINGS STOCK BORES AND KEYWAYS

BORE	BUSHING KEYWAY	SHAFT KEYSEAT	QD BUSHINGS STOCKED
2 <sup>5</sup> / <sub>8</sub>	NONE	NONE	SK
2 <sup>5</sup> / <sub>8</sub>	5/8 x 1/16*	5/8 x 5/16	SF
2 <sup>5</sup> / <sub>8</sub>	5/8 x 5/16	5/8 x 5/16	E F
2 <sup>11</sup> / <sub>16</sub>	5/8 x 1/16*	5/8 x 5/16	SF
2 <sup>11</sup> / <sub>16</sub>	5/8 x 5/16	5/8 x 5/16	E F
2 <sup>3</sup> / <sub>4</sub>	5/8 x 1/16*	5/8 x 5/16	SF
2 <sup>3</sup> / <sub>4</sub>	5/8 x 5/16	5/8 x 5/16	E F
2 <sup>13</sup> / <sub>16</sub>	3/4 x 1/16*	3/4 x 3/8	SF
2 <sup>13</sup> / <sub>16</sub>	3/4 x 3/8	3/4 x 3/8	E F
2 <sup>7</sup> / <sub>8</sub>	NONE	NONE	SF
2 <sup>7</sup> / <sub>8</sub>	3/4 x 3/8	3/4 x 3/8	E F
2 <sup>15</sup> / <sub>16</sub>	NONE	NONE	SF
2 <sup>15</sup> / <sub>16</sub>	3/4 x 1/8*	3/4 x 3/8	E
2 <sup>15</sup> / <sub>16</sub>	3/4 x 3/8	3/4 x 3/8	F
3	3/4 x 1/8*	3/4 x 3/8	E
3	3/4 x 3/8	3/4 x 3/8	F
3 <sup>1</sup> / <sub>16</sub>	3/4 x 1/8*	3/4 x 3/8	E
3 <sup>1</sup> / <sub>8</sub>	3/4 x 1/8*	3/4 x 3/8	E
3 <sup>1</sup> / <sub>8</sub>	3/4 x 3/8	3/4 x 3/8	F
3 <sup>3</sup> / <sub>16</sub>	3/4 x 1/8*	3/4 x 3/8	E
3 <sup>3</sup> / <sub>16</sub>	3/4 x 3/8	3/4 x 3/8	F
3 <sup>1</sup> / <sub>4</sub>	3/4 x 1/8*	3/4 x 3/8	E
3 <sup>1</sup> / <sub>4</sub>	3/4 x 3/8	3/4 x 3/8	F
3 <sup>5</sup> / <sub>16</sub>	7/8 x 1/8*	7/8 x 7/16	E F
3 <sup>3</sup> / <sub>8</sub>	7/8 x 3/16*	7/8 x 7/16	F
3 <sup>3</sup> / <sub>8</sub>	7/8 x 1/16	7/8 x 7/16	E
3 <sup>7</sup> / <sub>16</sub>	7/8 x 1/16	7/8 x 7/16	E
3 <sup>7</sup> / <sub>16</sub>	7/8 x 3/16*	7/8 x 7/16	F
3 <sup>7</sup> / <sub>16</sub>	7/8 x 1/16	7/8 x 7/16	M

BORE	BUSHING KEYWAY	SHAFT KEYSEAT	QD BUSHINGS STOCKED
3 <sup>1</sup> / <sub>2</sub>	7/8 x 1/16*	7/8 x 7/16	E
3 <sup>1</sup> / <sub>2</sub>	7/8 x 3/16*	7/8 x 7/16	F
3 <sup>9</sup> / <sub>16</sub>	7/8 x 3/16*	7/8 x 7/16	F
3 <sup>5</sup> / <sub>8</sub>	7/8 x 3/16*	7/8 x 7/16	F
3 <sup>11</sup> / <sub>16</sub>	7/8 x 3/16*	7/8 x 7/16	F
3 <sup>3</sup> / <sub>4</sub>	7/8 x 3/16*	7/8 x 7/16	F
3 <sup>7</sup> / <sub>8</sub>	1 x 1/8*	1 x 1/2	F J
3 <sup>15</sup> / <sub>16</sub>	1 x 1/8*	1 x 1/2	F J M
4	1 x 1/8*	1 x 1/2	J
4	NONE	NONE	F
4 <sup>1</sup> / <sub>4</sub>	1 x 1/8*	1 x 1/2	J
4 <sup>7</sup> / <sub>16</sub>	1 x 1/8*	1 x 1/2	J
4 <sup>7</sup> / <sub>16</sub>	1 x 1/2*	1 x 1/2	M N
4 <sup>15</sup> / <sub>16</sub>	1 1/4 x 1/4	1 1/4 x 5/8	M
4 <sup>15</sup> / <sub>16</sub>	1 1/4 x 5/8	1 1/4 x 5/8	N
5 <sup>1</sup> / <sub>4</sub>	1 1/4 x 1/4*	1 1/4 x 5/8	N
5 <sup>7</sup> / <sub>16</sub>	1 1/4 x 1/4*	1 1/4 x 5/8	M
5 <sup>7</sup> / <sub>16</sub>	1 1/4 x 5/8	1 1/4 x 5/8	P
5 <sup>3</sup> / <sub>4</sub>	1 1/2 x 1/8*	1 1/2 x 3/4	N
5 <sup>7</sup> / <sub>8</sub>	1 1/2 x 1/8*	1 1/2 x 3/4	N
5 <sup>15</sup> / <sub>16</sub>	1 1/2 x 3/4	1 1/2 x 3/4	N
5 <sup>15</sup> / <sub>16</sub>	1 1/2 x 3/4	1 1/2 x 3/4	P
6 <sup>7</sup> / <sub>16</sub>	1 1/2 x 1/4	1 1/2 x 3/4	P
6 <sup>15</sup> / <sub>16</sub>	1 3/4 x 1/8	1 3/4 x 3/4	P

Bushings are supplied with cap screws only.

\* Denotes shallow key.



**MOLINE BEARING CO.**

Post Office Box 99, Batavia, Illinois 60510, USA  
630.584.4600, 800.242.4633, 630.584.1999 fax  
www.molinebearing.com, sales@molinebearing.com

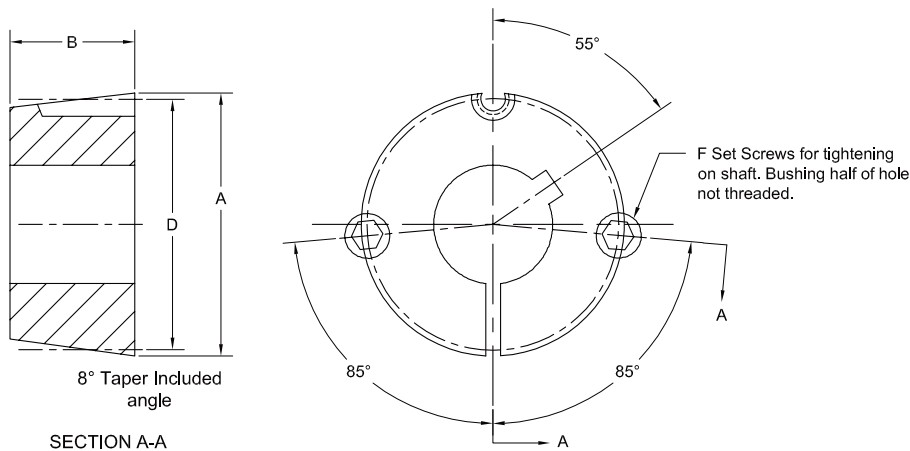
TEL # **800.242.4633**

171

# TAPERED BUSHINGS #1008 TO 3030

BUSHING #	BORE	BUSHING KEYWAY	SHAFT KEYSEAT	A	B	D	F	WRENCH TORQUE LBS. -IN.	TORQUE CAP. LBS. -IN.	WEIGHT
1008	$\frac{1}{2}, \frac{9}{16}$	$\frac{1}{8} \times \frac{1}{16}$	$\frac{1}{8} \times \frac{1}{16}$	1.386	$\frac{7}{8}$	$1 \frac{21}{64}$	$\frac{1}{4} \times \frac{1}{2}$	55	1,200	.27
	$\frac{5}{8}, \frac{11}{16}, \frac{3}{4}, \frac{13}{16}, \frac{7}{8}$	$\frac{3}{16} \times \frac{3}{32}$	$\frac{3}{16} \times \frac{3}{32}$							.21
	$1 \frac{15}{16}^*, 1^*$	$\frac{1}{4} \times \frac{1}{16}$	$\frac{1}{4} \times \frac{1}{8}$							.16
1108	$\frac{1}{2}, \frac{9}{16}$	$\frac{1}{8} \times \frac{1}{16}$	$\frac{1}{8} \times \frac{1}{16}$	1.511	$\frac{7}{8}$	$1 \frac{29}{64}$	$\frac{1}{4} \times \frac{1}{2}$	11	1,300	.33
	$\frac{5}{8}, \frac{11}{16}, \frac{3}{4}, \frac{13}{16}, \frac{7}{8}$	$\frac{3}{16} \times \frac{3}{32}$	$\frac{3}{16} \times \frac{3}{32}$							.27
	$1 \frac{15}{16}^*, 1^*$	$\frac{1}{4} \times \frac{1}{8}$	$\frac{1}{4} \times \frac{1}{8}$							.22
	$1 \frac{1}{16}^*, 1 \frac{1}{8}^*$	$\frac{1}{4} \times \frac{1}{16}$	$\frac{1}{4} \times \frac{1}{8}$							.17
1210	$\frac{1}{2}, \frac{9}{16}$	$\frac{1}{8} \times \frac{1}{16}$	$\frac{1}{8} \times \frac{1}{16}$	$1 \frac{7}{8}$	1	$1 \frac{3}{4}$	$\frac{3}{8} \times \frac{5}{8}$	175	3,600	.61
	$\frac{5}{8}, \frac{11}{16}, \frac{3}{4}, \frac{13}{16}, \frac{7}{8}$	$\frac{3}{16} \times \frac{3}{32}$	$\frac{3}{16} \times \frac{3}{32}$							.55
	$\frac{15}{16}, 1, 1 \frac{1}{16}, 1 \frac{1}{8}, 1 \frac{3}{16}, 1 \frac{1}{4}$	$\frac{1}{4} \times \frac{1}{8}$	$\frac{1}{4} \times \frac{1}{8}$							.49

\*Denotes shallow key, keystock included. Bushings supplied with set screws.



BUSHINGS

**TAPERED BUSHINGS #1008 TO 3030**

BUSHING #	BORE	BUSHING KEYWAY	SHAFT KEYSEAT	A	B	D	F	WRENCH TORQUE LBS. -IN.	TORQUE CAP. LBS. -IN.	WEIGHT
1215	1/2, 9/16	1/8 x 1/16	1/8 x 1/16	1 7/8	1 1/2	1 3/4	3/8 x 5/8	175	3.550	.8
	5/8, 11/16, 3/4, 13/16, 7/8	3/16 x 3/32	3/16 x 3/32							.7
	15/16, 1, 1 1/16, 1 1/8, 1 3/16, 1 1/4	1/4 x 1/8	1/4 x 1/8							.6
1310	1/2, 9/16	1/8 x 1/16	1/8 x 1/16	2	1	1 7/8	3/8 x 5/8	175	3.850	.7
	5/8, 11/16, 3/4, 13/16, 7/8	3/16 x 3/32	3/16 x 3/32							.7
	15/16, 1, 1 1/16, 1 1/8, 1 3/16, 1 1/4	1/4 x 1/8	1/4 x 1/8							.6
	1 5/16, 1 3/8	5/16 x 5/32	5/16 x 5/32							.6
1610	1/2, 9/16	1/8 x 1/16	1/8 x 1/16	2 1/4	1	2 1/8	3/8 x 5/8	175	4.300	.9
	5/8, 11/16, 3/4, 13/16, 7/8	3/16 x 3/32	3/16 x 3/32							.8
	15/16, 1, 1 1/16, 1 1/8, 1 3/16, 1 1/4	1/4 x 1/8	1/4 x 1/8							.7
	1 5/16, 1 3/8	5/16 x 5/32	5/16 x 5/32							.7
	1 7/16, 1 1/2	3/8 x 3/16	3/8 x 3/16							.6
	1 9/16*, 1 5/8*	3/8 x 1/8	3/8 x 3/16							.5

\*Denotes shallow key, keystock included. Bushings supplied with set screws.

BUSHINGS



**MOLINE BEARING CO.**

Post Office Box 99, Batavia, Illinois 60510, USA  
 630.584.4600, 800.242.4633, 630.584.1999 fax  
 www.molinebearing.com, sales@molinebearing.com

TEL # **800.242.4633**

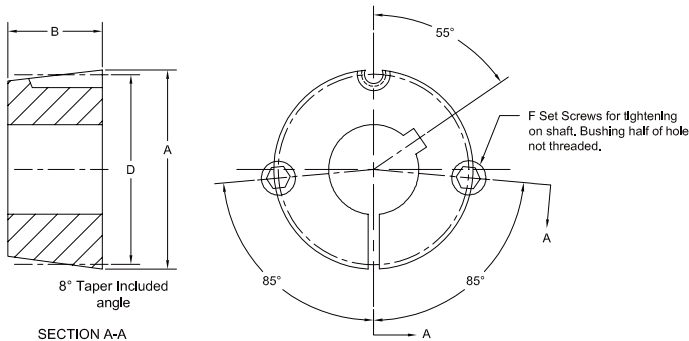
173

**TAPERED BUSHINGS #1008 TO 3030 CONTINUED**

BUSHING #	BORE	BUSHING KEYWAY	SHAFT KEYSEAT	A	B	D	F	WRENCH TORQUE LBS. -IN.	TORQUE CAP. LBS. -IN.	WEIGHT
1615	1/2, 9/16	1/8 x 1/16	1/8 x 1/16	2 1/4	1 1/2	2 1/8	3/8 x 5/8	175	4,300	1.2
	5/8, 11/16, 3/4, 13/16, 7/8	3/16 x 3/32	3/16 x 3/32							1.1
	15/16, 1, 1 1/16, 1 1/8, 1 3/16, 1 1/4	1/4 x 1/8	1/4 x 1/8							1.0
	1 5/16, 1 3/8	5/16 x 5/32	5/16 x 5/32							.8
	1 7/16, 1 1/2	3/8 x 3/16	3/8 x 3/16							.7
	1 9/16*, 1 5/8*, 1 11/16	3/8 x 3/16	3/8 x 3/16							.6
2012	1/2, 9/16	1/8 x 1/16	1/8 x 1/16	2 3/4	1 1/4	2 5/8	7/16 x 7/8	280	7,150	1.7
	5/8, 11/16, 3/4, 13/16, 7/8	3/16 x 3/32	3/16 x 3/32							1.6
	15/16, 1, 1 1/16, 1 1/8, 1 3/16, 1 1/4	1/4 x 1/8	1/4 x 1/8							1.5
	1 5/16, 1 3/8	5/16 x 5/32	5/16 x 5/32							1.4
	1 7/16, 1 1/2, 1 9/16, 1 5/8, 1 11/16, 1 3/4	3/8 x 3/16	3/8 x 3/16							1.2
	1 13/16, 1 7/8	1/2 x 1/4	1/2 x 1/4							1.0
	1 15/16*, 2*	1/2 x 3/16	1/2 x 1/4							1.0

\*Denotes shallow key, keystone included. Bushings supplied with set screws.

BUSHINGS



**TAPERED BUSHINGS #1008 TO 3030 CONTINUED**

BUSHING #	BORE	BUSHING KEYWAY	SHAFT KEYSEAT	A	B	D	F	WRENCH TORQUE LBS. -IN.	TORQUE CAP. LBS. -IN.	WEIGHT
2517	1/2, 9/16	1/8 x 1/16	1/8 x 1/16	3 3/8	1 3/4	3 1/4	1/2 x 1	430	11,600	3.5
	5/8, 11/16, 3/4, 13/16, 7/8	3/16 x 3/32	3/16 x 3/32							3.4
	15/16, 1, 1 1/16, 1 1/8, 1 3/16, 1 1/4	1/4 x 1/8	1/4 x 1/8							3.3
	1 5/16, 1 3/8	5/16 x 5/32	5/16 x 5/32							3.2
	1 7/16, 1 1/2, 1 9/16, 1 5/8, 1 11/16, 1 3/4	3/8 x 3/16	3/8 x 3/16							3.0
	1 13/16, 1 7/8, 1 15/16, 2, 2 1/16, 2 1/8, 2 3/16, 2 1/4	1/2 x 1/4	1/2 x 1/4							2.4
	2 5/16*, 2 3/8*, 2 7/16*, 2 1/2*	5/8 x 3/16	5/8 x 3/16							1.9
2525	3/4, 13/16, 7/8	3/16 x 3/32	3/16 x 3/32	3 3/8	2 1/2	3 1/4	1/2 x 1	430	11,300	4.9
	15/16, 1, 1 1/16, 1 1/8, 1 3/16, 1 1/4	1/4 x 1/8	1/4 x 1/8							4.7
	1 5/16, 1 3/8	5/16 x 5/32	5/16 x 5/32							4.5
	1 7/16, 1 1/2, 1 9/16, 1 5/8, 1 11/16, 1 3/4	3/8 x 3/16	3/8 x 3/16							4.2
	1 13/16, 1 7/8, 1 15/16, 2, 2 1/16, 2 1/8, 2 3/16, 2 1/4	1/2 x 1/4	1/2 x 1/4							3.3
	2 5/16, 2 3/8, 2 7/16, 2 1/2*	5/8 x 3/16	5/8 x 5/16							2.5

\*Denotes shallow key, keystock included. Bushings supplied with set screws.



**MOLINE BEARING CO.**

Post Office Box 99, Batavia, Illinois 60510, USA  
 630.584.4600, 800.242.4633, 630.584.1999 fax  
 www.molinebearing.com, sales@molinebearing.com

TEL # **800.242.4633**

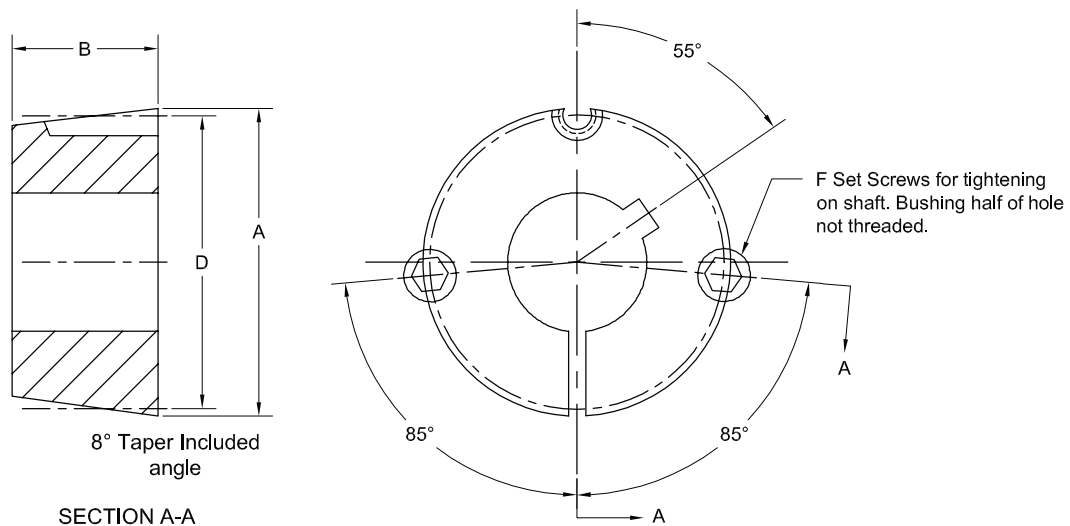
175

BUSHINGS

**TAPERED BUSHINGS #1008 TO 3030 CONTINUED**

BUSHING #	BORE	BUSHING KEYWAY	SHAFT KEYSEAT	A	B	D	F	WRENCH TORQUE LBS. -IN.	TORQUE CAP. LBS. -IN.	WEIGHT
3020	7/8	3/16 x 3/32	3/16 x 3/32	4 1/4	2	4	5/8 x 1 1/4	800	24,000	6.5
	1 5/16, 1, 1 1/16, 1 1/8, 1 3/16, 1 1/4	1/4 x 1/8	1/4 x 1/8							6.3
	1 5/16, 1 3/8	5/16 x 5/32	5/16 x 5/32							6.0
	1 7/16, 1 1/2, 1 9/16, 1 5/8, 1 11/16, 1 3/4	3/8 x 3/16	3/8 x 3/16							6.0
	1 13/16, 1 7/8, 1 15/16, 2, 2 1/8, 2 3/16, 2 1/4	1/2 x 1/4	1/2 x 1/4							5.3
	2 5/16, 2 3/8, 2 7/16, 2 1/2, 2 9/16, 2 5/8, 2 11/16, 2 3/4	5/8 x 5/16	5/8 x 5/16							4.5
	2 7/8, 2 15/16, 3*	3/4 x 1/4	3/4 x 1/4							3.9

\*Denotes shallow key, keystock included. Bushings supplied with set screws.



**TAPERED BUSHINGS #1008 TO 3030 CONTINUED**

BUSHING #	BORE	BUSHING KEYWAY	SHAFT KEYSEAT	A	B	D	F	WRENCH TORQUE LBS. -IN.	TORQUE CAP. LBS. -IN.	WEIGHT
3030	1 <sup>5</sup> / <sub>16</sub> , 1, 1 <sup>1</sup> / <sub>16</sub> , 1 <sup>1</sup> / <sub>8</sub> , 1 <sup>3</sup> / <sub>16</sub> , 1 <sup>1</sup> / <sub>4</sub>	1/4 x 1/8	1/4 x 1/8	4 1/4	3	4	5/8 x 1 1/4	800	24,000	9.2
	1 5/16, 1 3/8	5/16 x 5/32	5/16 x 5/32							8.9
	1 7/16, 1 1/2, 1 9/16, 1 5/8, 1 11/16, 1 3/4	3/8 x 3/16	3/8 x 3/16							8.6
	1 13/16, 1 7/8, 1 15/16, 2, 2 1/8, 2 1/16, 2 3/16, 2 1/4	1/2 x 1/4	1/2 x 1/4							7.6
	2 5/16, 2 3/8, 2 7/16, 2 1/2, 2 9/16, 2 5/8, 2 11/16, 2 3/4, 2 13/16	5/8 x 5/16	5/8 x 5/16							6.2
	2 7/8, 2 15/16, 3	3/4 x 1/4	3/4 x 3/8							5.0

\*Denotes shallow key, keystock included. Bushings supplied with set screws.



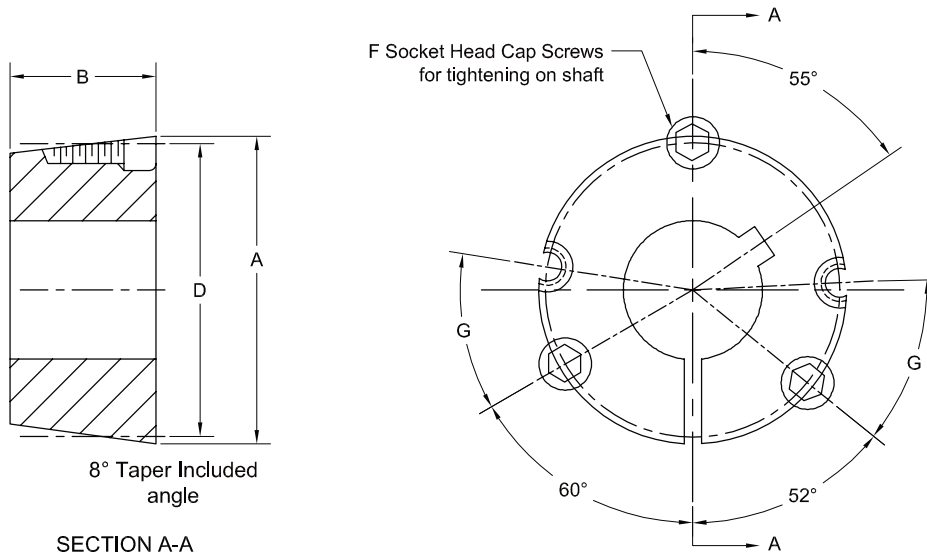
BUSHINGS



# TAPERED BUSHINGS #3535 TO 5050

BUSHING #	BORE	BUSHING KEYWAY	SHAFT KEYSEAT	A	B	D	F	G	WRENCH TORQUE LBS. -IN.	TORQUE CAP. LBS. -IN.	WEIGHT
3535	1 3/16, 1 1/4	1/4 x 1/8	1/4 x 1/8	5	3 1/2	4.83	1/2 x 1 1/2	39°	1,000	44,800	14
	1 5/16, 1 3/8	5/16 x 5/32	5/16 x 5/32								14
	1 7/16, 1 1/2, 1 9/16, 1 5/8, 1 11/16, 1 3/4	3/8 x 3/16	3/8 x 3/16								13
	1 3/16, 1 7/8, 1 15/16, 2, 2 1/8, 2 3/16, 2 1/4	1/2 x 1/4	1/2 x 1/4								12
	2 5/16, 2 3/8, 2 7/16, 2-1/2, 2 9/16, 2 5/8, 2 11/16, 2 3/4	5/8 x 5/16	5/8 x 5/16								11
	2 3/16, 2 7/8, 2 15/16, 3, 3 1/8, 3 3/16, 3 1/4	3/4 x 3/8	3/4 x 3/8								9
	3 5/16*, 3 3/8*, 3 7/16*, 3 1/2*	7/8 x 1/4	7/8 x 7/16								8

\*Denotes shallow key, keystock included. Bushings supplied with set screws.



BUSHINGS



## TAPERED BUSHINGS #3535 TO 5050

BUSHING #	BORE	BUSHING KEYWAY	SHAFT KEYSEAT	A	B	D	F	G	WRENCH TORQUE LBS. -IN.	TORQUE CAP. LBS. -IN.	WEIGHT
4040	1 7/16, 1 1/2, 1 5/8, 1 11/16, 1 3/4	3/8 x 3/16	3/8 x 3/16	5 3/4	4	5.54	5/8 x 1 3/4	40°	2,450	110,000	22
	1 7/8, 1 15/16, 2, 2 1/8, 2 3/16, 2 1/4	1/2 x 1/4	1/2 x 1/4								21
	2 3/8, 2 7/16, 2 1/2, 2 5/8, 2 11/16, 2 3/4	5/8 x 5/16	5/8 x 5/16								19
	2 7/8, 2 15/16, 3, 3 1/8, 3 3/16, 3 1/4	3/4 x 3/8	3/4 x 3/8								17
	3 3/8, 3 7/16, 3 1/2, 3 5/8	7/8 x 7/16	7/8 x 7/16								15
	3 11/16, 3 3/4	7/8 x 1/4	7/8 x 7/16								14
	3 7/8*, 3 15/16*, 4, 4 1/8*, 4 3/16*, 4 1/4*, 4 3/8*, 4 7/16*	1 x 1/4	1 x 1/2								13

\*Denotes shallow key, keystock included. Bushings supplied with set screws.



**MOLINE BEARING CO.**

Post Office Box 99, Batavia, Illinois 60510, USA  
630.584.4600, 800.242.4633, 630.584.1999 fax  
www.molinebearing.com, sales@molinebearing.com

TEL # **800.242.4633**

179

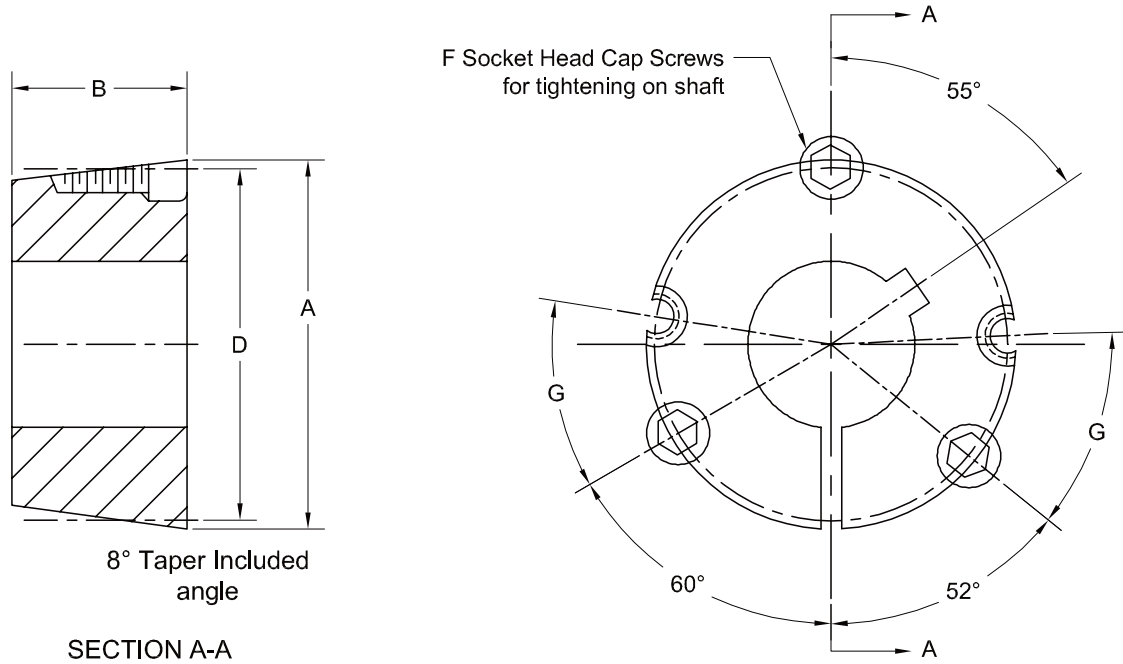
**TAPERED BUSHINGS #3535 TO 5050 CONTINUED**

BUSHING #	BORE	BUSHING KEYWAY	SHAFT KEYSEAT	A	B	D	F	G	WRENCH TORQUE LBS. -IN	TORQUE CAP. LBS. -IN.	WEIGHT
4545	1 <sup>15</sup> / <sub>16</sub> , 2, 2 <sup>1</sup> / <sub>8</sub> , 2 <sup>3</sup> / <sub>16</sub> , 2 <sup>1</sup> / <sub>4</sub>	1/2 x 1/4	1/2 x 1/4	6 <sup>3</sup> / <sub>8</sub>	4 1/2	6.13	3/4 x 2	40°	2,450	126,000	30
	2 <sup>5</sup> / <sub>16</sub> , 2 <sup>3</sup> / <sub>8</sub> , 2 <sup>7</sup> / <sub>16</sub> , 2 <sup>1</sup> / <sub>2</sub> , 2 <sup>9</sup> / <sub>16</sub> , 2 <sup>5</sup> / <sub>8</sub> , 2 <sup>11</sup> / <sub>16</sub> , 2 <sup>3</sup> / <sub>4</sub>	5/8 x 5/16	5/8 x 5/16								28
	2 <sup>13</sup> / <sub>16</sub> , 2 <sup>7</sup> / <sub>8</sub> , 2 <sup>15</sup> / <sub>16</sub> , 3, 3 <sup>3</sup> / <sub>16</sub> , 3 <sup>1</sup> / <sub>4</sub>	3/4 x 3/8	3/4 x 3/8								26
	3 <sup>5</sup> / <sub>16</sub> , 3 <sup>3</sup> / <sub>8</sub> , 3 <sup>7</sup> / <sub>16</sub> , 3 <sup>1</sup> / <sub>2</sub> , 3 <sup>9</sup> / <sub>16</sub> , 3 <sup>5</sup> / <sub>8</sub> , 3 <sup>11</sup> / <sub>16</sub> , 3 <sup>3</sup> / <sub>4</sub>	7/8 x 7/16	7/8 x 7/16								23
	3 <sup>13</sup> / <sub>16</sub> , 3 <sup>7</sup> / <sub>8</sub> , 3 <sup>15</sup> / <sub>16</sub> , 4, 4 <sup>1</sup> / <sub>8</sub> , 4 <sup>3</sup> / <sub>16</sub> , 4 <sup>1</sup> / <sub>4</sub>	1 x 1/2	1 x 1/2								20
	4 <sup>5</sup> / <sub>16</sub> , 4 <sup>3</sup> / <sub>8</sub> *, 4 <sup>7</sup> / <sub>16</sub> *, 4 <sup>1</sup> / <sub>2</sub> *	1 x 1/4	1 x 1/2								16
	4 <sup>15</sup> / <sub>16</sub> *	1 1/4 x 1/4	1 1/4 x 5/8								13
5050	2 <sup>7</sup> / <sub>16</sub>	5/8 x 5/16	5/8 x 5/16	7	5	6.72	7/8 x 2 1/4	40°	3,100	126,000	38.7
	2 <sup>15</sup> / <sub>16</sub>	3/4 x 3/8	3/4 x 3/8								36.2
	3 <sup>3</sup> / <sub>8</sub> , 3 <sup>7</sup> / <sub>16</sub> , 3 <sup>5</sup> / <sub>8</sub>	7/8 x 7/16	7/8 x 7/16								32
	3 <sup>7</sup> / <sub>8</sub> , 3 <sup>15</sup> / <sub>16</sub> , 4, 4 <sup>1</sup> / <sub>4</sub> , 4 <sup>3</sup> / <sub>8</sub> , 4 <sup>7</sup> / <sub>16</sub> , 4 <sup>1</sup> / <sub>2</sub>	1 x 1/2	1 x 1/2								26
	4 <sup>7</sup> / <sub>8</sub> *, 4 <sup>15</sup> / <sub>16</sub> *, 5*	1 1/4 x 7/16*	1 1/4 x 5/8								20.5

BUSHINGS

\*Denotes shallow key, keystone included. Bushings supplied with set screws.

**TAPERED BUSHINGS #3535 TO 5050 CONTINUED**



BUSHINGS



Post Office Box 99, Batavia, Illinois 60510, USA  
630.584.4600, 800.242.4633, 630.584.1999 fax  
www.molinebearing.com, sales@molinebearing.com

**MOLINE BEARING CO.**

TEL # **800.242.4633**

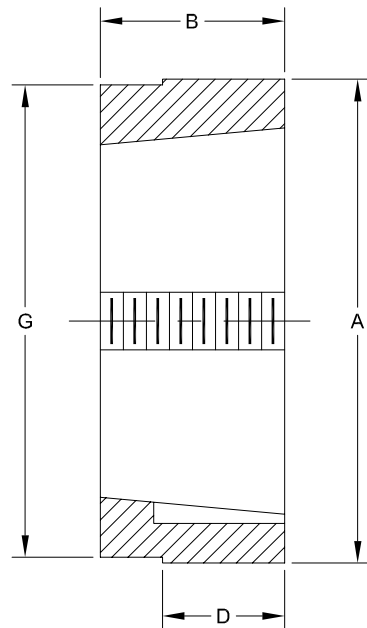
181



# **WELD-ON HUBS**

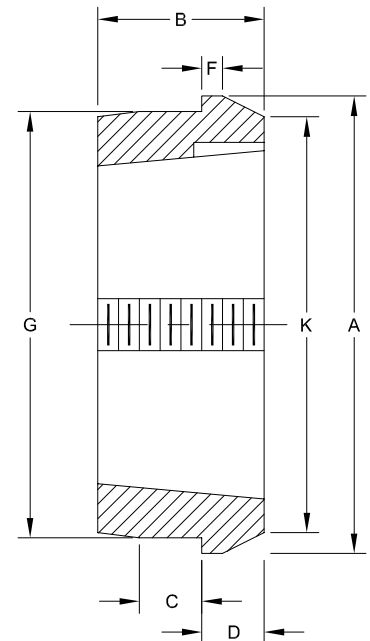
## TYPE S - TAPERED WELD-ON HUBS

PART NUMBER	FOR USE WITH BUSHING	MAX BORE OF BUSHING	A	G	B	D	WEIGHT LBS.
S16-4-1610	1610	1 $\frac{5}{8}$	3.0	2 $\frac{7}{8}$	1.0	.725	.9
S16-6-1610	1610	1 $\frac{5}{8}$	3.0	2 $\frac{7}{8}$	1.0	.56	.9
S20-6-2012	2012	2	3 $\frac{9}{16}$	3 $\frac{7}{16}$	1 $\frac{1}{4}$	.8	1.8
S20-8-2012	2012	2	3 $\frac{9}{16}$	3 $\frac{7}{16}$	1 $\frac{1}{4}$	.68	1.4
S25-6-2517	2517	2 $\frac{1}{2}$	4 $\frac{1}{4}$	4.125	1 $\frac{3}{4}$	1.3	2.6
S25-8-2517	2517	2 $\frac{1}{2}$	4 $\frac{1}{4}$	4.125	1 $\frac{3}{4}$	1.185	2.6
S25-10-2517	2517	2 $\frac{1}{2}$	4 $\frac{1}{4}$	4 $\frac{1}{8}$	1 $\frac{3}{4}$	1.065	2.5
S25-16-2517	2517	2 $\frac{1}{2}$	4 $\frac{1}{4}$	4 $\frac{1}{8}$	1 $\frac{3}{4}$	.66	2.4
S30-10-3020	3020	3	5 $\frac{1}{4}$	5 $\frac{1}{8}$	2	1.325	4.3
S30-16-3020	3020	3	5 $\frac{1}{4}$	5 $\frac{1}{8}$	2	.91	4.2
S35-3535	3535	3 $\frac{1}{2}$	6 $\frac{1}{2}$	6 $\frac{3}{8}$	3 $\frac{1}{2}$	2.34	12.8



## TYPE W - TAPERED WELD-ON HUBS

PART NUMBER	FOR USE WITH BUSHING	MAX BORE OF BUSHING	A	G	B	C	D	F	K	WEIGHT LBS.
W-12-1210	1210	1 ¼	2 ⅞	2 ½	1	⅜	⅝	⅜	2 ⅝	1.1
W-12-1215	1210 1215	1 ¼	2 ⅞	2 ½	1 ½	⅜	⅝	⅜	2 ⅝	1.3
W-16-1610	1610	1 ⅝	3 ¼	2 ⅞	1	⅜	⅝	⅜	3	1.25
W-16-1615	1610 1615	1 ⅝	3 ¼	2 ⅞	1 ½	⅜	⅝	⅜	3	1.5
W-25-2517	2517	2 ½	4 ⅞	4 ⅜	1 ¾	½	¾	⅜	4 ⅝	4.0
WA-30-3020	3020	3	5 ½	5 ⅞	2	¾	¾	¼	5	4.4
WA-30-3030	3020 3030	3	5 ½	5 ⅞	3.0	¾	¾	¼	5	6.4
WA-35-3535	3535	3 ½	6 ¾	6 ¼	3 ½	1 ¼	1.0	⅜	6	13
WA-40-4040	4040	4	7 ¾	7 ¼	4.0	1 ½	1.0	⅜	7	29
WA-45-4545	4545	4 ½	8 ¾	8.0	4 ½	1 ¾	1.0	⅜	8	42
WA-50-5050	5050	5	9 ½	8 ¾	5	1 ¾	1.0	⅝	8 ¾	57



WELD-ON HUBS



**MOLINE BEARING CO.**

Post Office Box 99, Batavia, Illinois 60510, USA  
630.584.4600, 800.242.4633, 630.584.1999 fax  
www.molinebearing.com, sales@molinebearing.com

TEL # **800.242.4633**

185



# QD WELD-ON HUBS

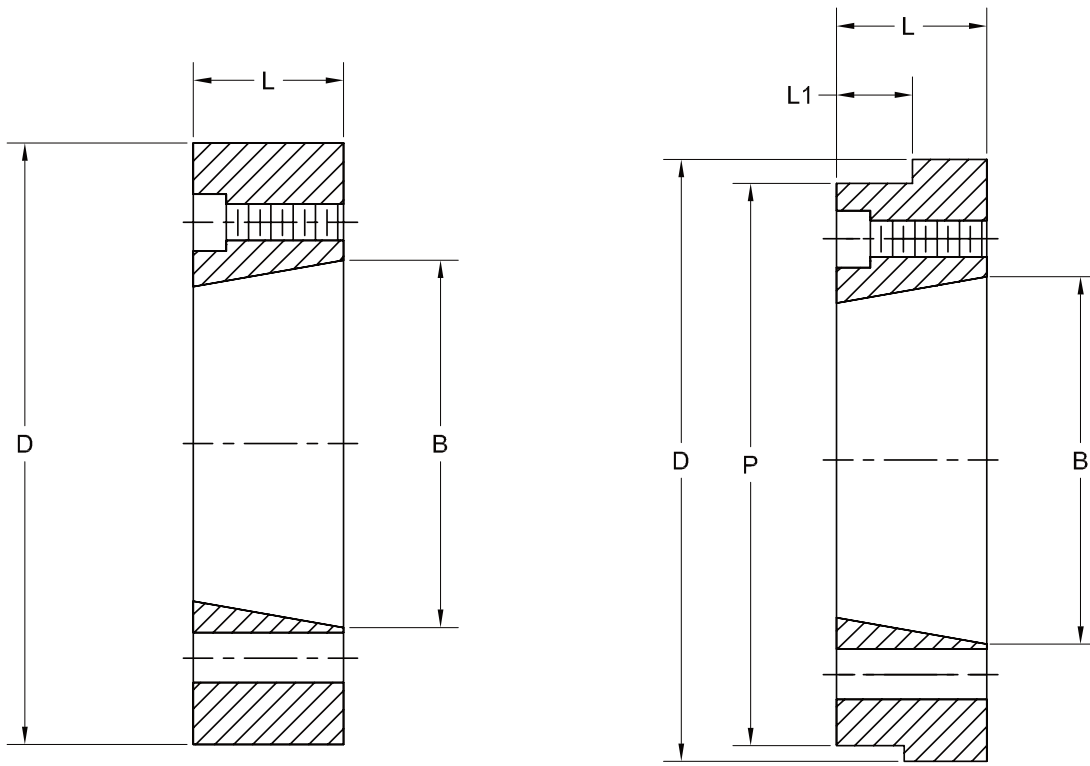
## QD Weld-On Hubs JA to P-A

PART NUMBER	D	L	B	BC	L1	P	DRILLING TYPE	WEIGHT (LBS)
JA-A	2.25	9/16	1.375	1 21/32	----	----	1	.4
SH-A	3.0	13/16	1.871	2 1/4	----	----	1	1
SDS-A	3.5	3/4	2.188	2 11/16	----	----	1	1.25
SK-A	4.375	1 1/4	2.813	3 5/16	----	----	1	3
SF-A	5.0	1 1/4	3.125	3 7/8	----	----	1	4
E-A	6.25	1 5/8	3.832	5	----	----	1	9
F-A	7.0	2 1/2	4.437	5 5/8	----	----	1	16
J-A	7.75	3 3/16	5.14	6 1/4	----	----	1	22.5
M-A	9.5	5 5/16	6.494	7 7/8	3 9/16	9.250	2	50
N-A	10.5	6 1/4	6.99	8 1/2	4 1/2	10.250	2	75
P-A	15.5	7 1/4	8.24	10	----	----	2	155

QD Weld-On Hubs are all steel.

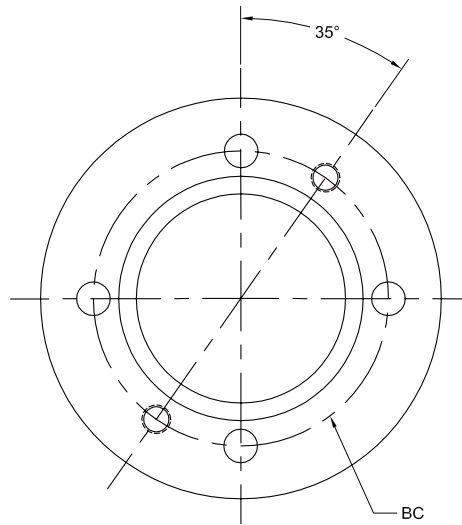
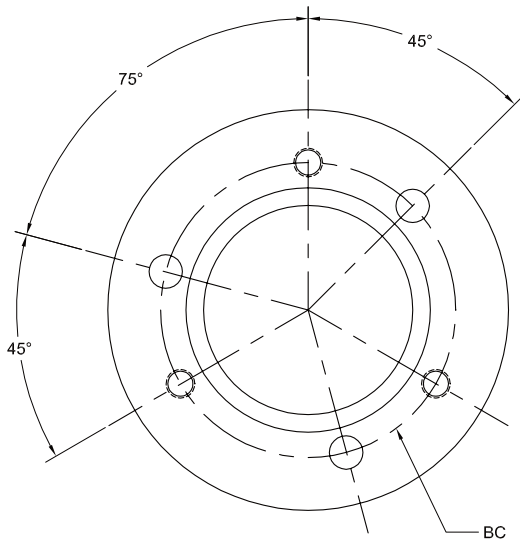


# QD WELD-ON HUBS



**TYPE 1 (standard or reverse mount)**

**TYPE 2 (standard mount only)**



**MOLINE BEARING CO.**

Post Office Box 99, Batavia, Illinois 60510, USA  
 630.584.4600, 800.242.4633, 630.584.1999 fax  
[www.molinebearing.com](http://www.molinebearing.com), [sales@molinebearing.com](mailto:sales@molinebearing.com)

TEL # **800.242.4633**

187

WELD-ON HUBS



**MASTER  
INTERCHANGE AND  
NOMENCLATURE**

# NOMENCLATURE



## MOUNTED UNIT NOMENCLATURE

### Moline Part Number

000

#### Bearing Type/Series

- 191** = M2000 Spherical Roller Bearing – Expansion
- 192** = M2000 Spherical Roller Bearing – Non Expansion
- 193** = Type E Tapered Roller Bearing
- 194** = 200 Series Normal Duty Set Screw Locking
- 195** = 200 Series Normal Duty Eccentric Locking
- 196** = M3000 Spherical Roller Bearing with Even-Lok™ – Expansion
- 197** = M3000 Spherical Roller Bearing with Even-Lok™ – Non Expansion

00

#### Housing Type/Style

- 01** = 2-Bolt Flange
- 11** = 4-Bolt Flange
- 21** = 2-Bolt Pillow Block
- 31** = Piloted Flange
- 41** = 4-Bolt Pillow Block
- 51** = Wide Slot Take-Up

0000

#### Bearing/Shaft Size

##### Standard

- X** = Inches
- XX** = 16th's of an inch
- Example: 207 = 2 7/16*

##### Metric

- XXX** = mm
- Example: 085 = 85mm*



#### Suffix

- G** = Spring Loaded Garter Seal
- L** = Labyrinth Seal
- E** = Epoxy Finished Housing
- N** = Nickel Plated Housing
- T** = Teflon Coated Housing
- No suffix** = standard contact seal

Example: 19321300 = Type E, 2-Bolt Pillow Block, 3" shaft size



## NOMENCLATURE

		
<b>PILOTED FLANGE CARTRIDGE</b> 	<b>4-BOLT PILLOW BLOCK</b> 	<b>WIDE SLOT TAKE-UP</b> 

## HOUSING IDENTIFICATION

### Moline Housing Number

000-00-000

#### Housing Type

- 110 = 2-Bolt Flange
- 111 = 4-Bolt Flange
- 112 = 2-Bolt Pillow Block
- 113 = Piloted Flange Cartridge
- 114 = 4-Bolt Pillow Block
- 115 = Wide Slot Take-Up

#### Bearing Type/Series

- 01 = Type E Tapered Roller Bearing
- 21 = M2000 Spherical Roller Bearing and M3000 Spherical Roller Bearing with Even-Lok™
- 31 = 200 Series Normal Duty Ball Bearing

#### Bearing/Shaft Size

A range of inserts with similar bore can fit in the same housing.

**X** = Inches

**XX** = 16th's of an inch

*Example: 207 = 2 7/16*

**Example: 111-01-215 = 4-Bolt Flange, Type E, 215 Housing which houses 2 11/16, 2 3/4, 2 15/16, 3, 70mm and 75mm bearing shaft sizes**



**MOLINE BEARING CO.**

Post Office Box 99, Batavia, Illinois 60510, USA  
 630.584.4600, 800.242.4633, 630.584.1999 fax  
[www.molinebearing.com](http://www.molinebearing.com), [sales@molinebearing.com](mailto:sales@molinebearing.com)

TEL # **800.242.4633**

191

# COMPONENT INTERCHANGE

COMPONENT #	COMPONENT TYPE	SERIES	MOLINE PART #	PAGE #
11101103	4-BOLT FLANGE HOUSING	TYPE E	19311103	24
11101103	4-BOLT FLANGE HOUSING	TYPE E	19311104	24
11101107	4-BOLT FLANGE HOUSING	TYPE E	19311035	24
11101107	4-BOLT FLANGE HOUSING	TYPE E	19311106	24
11101107	4-BOLT FLANGE HOUSING	TYPE E	19311107	24
11101111	4-BOLT FLANGE HOUSING	TYPE E	19311108	24
11101111	4-BOLT FLANGE HOUSING	TYPE E	19311110	24
11101111	4-BOLT FLANGE HOUSING	TYPE E	19311111	24
11101115	4-BOLT FLANGE HOUSING	TYPE E	19311045	24
11101115	4-BOLT FLANGE HOUSING	TYPE E	19311050	24
11101115	4-BOLT FLANGE HOUSING	TYPE E	19311112	24
11101115	4-BOLT FLANGE HOUSING	TYPE E	19311114	24
11101115	4-BOLT FLANGE HOUSING	TYPE E	19311115	24
11101115	4-BOLT FLANGE HOUSING	TYPE E	19311200	24
11101203	4-BOLT FLANGE HOUSING	TYPE E	19311203	24
11101207	4-BOLT FLANGE HOUSING	TYPE E	19311060	24
11101207	4-BOLT FLANGE HOUSING	TYPE E	19311065	24
11101207	4-BOLT FLANGE HOUSING	TYPE E	19311204	24
11101207	4-BOLT FLANGE HOUSING	TYPE E	19311207	24
11101207	4-BOLT FLANGE HOUSING	TYPE E	19311208	24
11101215	4-BOLT FLANGE HOUSING	TYPE E	19311070	26
11101215	4-BOLT FLANGE HOUSING	TYPE E	19311075	26
11101215	4-BOLT FLANGE HOUSING	TYPE E	19311211	26
11101215	4-BOLT FLANGE HOUSING	TYPE E	19311212	26
11101215	4-BOLT FLANGE HOUSING	TYPE E	19311215	26
11101215	4-BOLT FLANGE HOUSING	TYPE E	19311300	26
11101307	4-BOLT FLANGE HOUSING	TYPE E	19311080	26
11101307	4-BOLT FLANGE HOUSING	TYPE E	19311085	26
11101307	4-BOLT FLANGE HOUSING	TYPE E	19311090	26



## COMPONENT INTERCHANGE

COMPONENT #	COMPONENT TYPE	SERIES	MOLINE PART #	PAGE #
11101307	4-BOLT FLANGE HOUSING	TYPE E	19311303	26
11101307	4-BOLT FLANGE HOUSING	TYPE E	19311304	26
11101307	4-BOLT FLANGE HOUSING	TYPE E	19311307	26
11101307	4-BOLT FLANGE HOUSING	TYPE E	19311308	26
11101315	4-BOLT FLANGE HOUSING	TYPE E	19311100	26
11101315	4-BOLT FLANGE HOUSING	TYPE E	19311315	26
11101315	4-BOLT FLANGE HOUSING	TYPE E	19311400	26
11101407	4-BOLT FLANGE HOUSING	TYPE E	19311407	26
11101407	4-BOLT FLANGE HOUSING	TYPE E	19311408	26
11121107	4-BOLT FLANGE HOUSING	M2000 Spherical	19111107	52
11121107	4-BOLT FLANGE HOUSING	M2000 Spherical	19111108	52
11121107	4-BOLT FLANGE HOUSING	M2000 Spherical	19211107	52
11121107	4-BOLT FLANGE HOUSING	M2000 Spherical	19211108	52
11121107	4-BOLT FLANGE HOUSING	M3000 Even-Lok Spherical	19611107	76
11121107	4-BOLT FLANGE HOUSING	M3000 Even-Lok Spherical	19611107	76
11121107	4-BOLT FLANGE HOUSING	M3000 Even-Lok Spherical	19611108	76
11121107	4-BOLT FLANGE HOUSING	M3000 Even-Lok Spherical	19611108	76
11121111	4-BOLT FLANGE HOUSING	M2000 Spherical	19111111	52
11121111	4-BOLT FLANGE HOUSING	M2000 Spherical	19111112	52
11121111	4-BOLT FLANGE HOUSING	M2000 Spherical	19211111	52
11121111	4-BOLT FLANGE HOUSING	M2000 Spherical	19211112	52
11121111	4-BOLT FLANGE HOUSING	M3000 Even-Lok Spherical	19611111	76
11121111	4-BOLT FLANGE HOUSING	M3000 Even-Lok Spherical	19611112	76
11121111	4-BOLT FLANGE HOUSING	M3000 Even-Lok Spherical	19711111	76
11121111	4-BOLT FLANGE HOUSING	M3000 Even-Lok Spherical	19711112	76
11121115	4-BOLT FLANGE HOUSING	M2000 Spherical	19111115	52
11121115	4-BOLT FLANGE HOUSING	M2000 Spherical	19111200	52
11121115	4-BOLT FLANGE HOUSING	M2000 Spherical	19211115	52
11121115	4-BOLT FLANGE HOUSING	M2000 Spherical	19211200	52
11121115	4-BOLT FLANGE HOUSING	M3000 Even-Lok Spherical	19611115	76



**MOLINE BEARING CO.**

Post Office Box 99, Batavia, Illinois 60510, USA  
 630.584.4600, 800.242.4633, 630.584.1999 fax  
[www.molinebearing.com](http://www.molinebearing.com), [sales@molinebearing.com](mailto:sales@molinebearing.com)

TEL # **800.242.4633**

193



## COMPONENT INTERCHANGE

COMPONENT #	COMPONENT TYPE	SERIES	MOLINE PART #	PAGE #
11121115	4-BOLT FLANGE HOUSING	M3000 Even-Lok Spherical	19611200	76
11121115	4-BOLT FLANGE HOUSING	M3000 Even-Lok Spherical	19711115	76
11121115	4-BOLT FLANGE HOUSING	M3000 Even-Lok Spherical	19711200	76
11121203	4-BOLT FLANGE HOUSING	M2000 Spherical	19111203	52
11121203	4-BOLT FLANGE HOUSING	M2000 Spherical	19211203	52
11121203	4-BOLT FLANGE HOUSING	M3000 Even-Lok Spherical	19611203	76
11121203	4-BOLT FLANGE HOUSING	M3000 Even-Lok Spherical	19711203	76
11121207	4-BOLT FLANGE HOUSING	M2000 Spherical	19111207	52
11121207	4-BOLT FLANGE HOUSING	M2000 Spherical	19111208	52
11121207	4-BOLT FLANGE HOUSING	M2000 Spherical	19211207	52
11121207	4-BOLT FLANGE HOUSING	M2000 Spherical	19211208	52
11121207	4-BOLT FLANGE HOUSING	M3000 Even-Lok Spherical	19611207	76
11121207	4-BOLT FLANGE HOUSING	M3000 Even-Lok Spherical	19611208	76
11121207	4-BOLT FLANGE HOUSING	M3000 Even-Lok Spherical	19711207	76
11121207	4-BOLT FLANGE HOUSING	M3000 Even-Lok Spherical	19711208	76
11121215	4-BOLT FLANGE HOUSING	M2000 Spherical	19111211	52
11121215	4-BOLT FLANGE HOUSING	M2000 Spherical	19111212	52
11121215	4-BOLT FLANGE HOUSING	M2000 Spherical	19111215	52
11121215	4-BOLT FLANGE HOUSING	M2000 Spherical	19111300	52
11121215	4-BOLT FLANGE HOUSING	M2000 Spherical	19211211	52
11121215	4-BOLT FLANGE HOUSING	M2000 Spherical	19211212	52
11121215	4-BOLT FLANGE HOUSING	M2000 Spherical	19211215	52
11121215	4-BOLT FLANGE HOUSING	M2000 Spherical	19211300	52
11121215	4-BOLT FLANGE HOUSING	M3000 Even-Lok Spherical	19611211	76
11121215	4-BOLT FLANGE HOUSING	M3000 Even-Lok Spherical	19611212	76
11121215	4-BOLT FLANGE HOUSING	M3000 Even-Lok Spherical	19611215	76
11121215	4-BOLT FLANGE HOUSING	M3000 Even-Lok Spherical	19611300	76
11121215	4-BOLT FLANGE HOUSING	M3000 Even-Lok Spherical	19711211	76
11121215	4-BOLT FLANGE HOUSING	M3000 Even-Lok Spherical	19711212	76
11121215	4-BOLT FLANGE HOUSING	M3000 Even-Lok Spherical	19711215	76



## COMPONENT INTERCHANGE

COMPONENT #	COMPONENT TYPE	SERIES	MOLINE PART #	PAGE #
11121215	4-BOLT FLANGE HOUSING	M3000 Even-Lok Spherical	19711300	76
11121307	4-BOLT FLANGE HOUSING	M2000 Spherical	19111303	52
11121307	4-BOLT FLANGE HOUSING	M2000 Spherical	19111307	52
11121307	4-BOLT FLANGE HOUSING	M2000 Spherical	19111308	52
11121307	4-BOLT FLANGE HOUSING	M2000 Spherical	19211303	52
11121307	4-BOLT FLANGE HOUSING	M2000 Spherical	19211307	52
11121307	4-BOLT FLANGE HOUSING	M2000 Spherical	19211308	52
11121307	4-BOLT FLANGE HOUSING	M3000 Even-Lok Spherical	19611307	76
11121307	4-BOLT FLANGE HOUSING	M3000 Even-Lok Spherical	19611308	76
11121307	4-BOLT FLANGE HOUSING	M3000 Even-Lok Spherical	19711307	76
11121307	4-BOLT FLANGE HOUSING	M3000 Even-Lok Spherical	19711308	76
11121315	4-BOLT FLANGE HOUSING	M2000 Spherical	19111311	52
11121315	4-BOLT FLANGE HOUSING	M2000 Spherical	19111315	52
11121315	4-BOLT FLANGE HOUSING	M2000 Spherical	19111400	52
11121315	4-BOLT FLANGE HOUSING	M2000 Spherical	19211311	52
11121315	4-BOLT FLANGE HOUSING	M2000 Spherical	19211315	52
11121315	4-BOLT FLANGE HOUSING	M2000 Spherical	19211400	52
11121315	4-BOLT FLANGE HOUSING	M3000 Even-Lok Spherical	19611315	76
11121315	4-BOLT FLANGE HOUSING	M3000 Even-Lok Spherical	19611400	76
11121315	4-BOLT FLANGE HOUSING	M3000 Even-Lok Spherical	19711315	76
11121315	4-BOLT FLANGE HOUSING	M3000 Even-Lok Spherical	19711400	76
11201103	2-BOLT PILLOW BLOCK HOUSING	TYPE E	19321103	18
11201103	2-BOLT PILLOW BLOCK HOUSING	TYPE E	19321104	18
11201107	2-BOLT PILLOW BLOCK HOUSING	TYPE E	19321035	18
11201107	2-BOLT PILLOW BLOCK HOUSING	TYPE E	19321106	18
11201107	2-BOLT PILLOW BLOCK HOUSING	TYPE E	19321107	18
11201111	2-BOLT PILLOW BLOCK HOUSING	TYPE E	19321040	18
11201111	2-BOLT PILLOW BLOCK HOUSING	TYPE E	19321108	18
11201111	2-BOLT PILLOW BLOCK HOUSING	TYPE E	19321110	18
11201111	2-BOLT PILLOW BLOCK HOUSING	TYPE E	19321111	18



**MOLINE BEARING CO.**

Post Office Box 99, Batavia, Illinois 60510, USA  
 630.584.4600, 800.242.4633, 630.584.1999 fax  
[www.molinebearing.com](http://www.molinebearing.com), [sales@molinebearing.com](mailto:sales@molinebearing.com)

TEL # **800.242.4633**

195

## COMPONENT INTERCHANGE

COMPONENT #	COMPONENT TYPE	SERIES	MOLINE PART #	PAGE #
11201115	2-BOLT PILLOW BLOCK HOUSING	TYPE E	19321045	18
11201115	2-BOLT PILLOW BLOCK HOUSING	TYPE E	19321050	18
11201115	2-BOLT PILLOW BLOCK HOUSING	TYPE E	19321112	18
11201115	2-BOLT PILLOW BLOCK HOUSING	TYPE E	19321114	18
11201115	2-BOLT PILLOW BLOCK HOUSING	TYPE E	19321115	18
11201115	2-BOLT PILLOW BLOCK HOUSING	TYPE E	19321200	18
11201203	2-BOLT PILLOW BLOCK HOUSING	TYPE E	19321203	18
11201207	2-BOLT PILLOW BLOCK HOUSING	TYPE E	19321060	18
11201207	2-BOLT PILLOW BLOCK HOUSING	TYPE E	19321065	18
11201207	2-BOLT PILLOW BLOCK HOUSING	TYPE E	19321204	18
11201207	2-BOLT PILLOW BLOCK HOUSING	TYPE E	19321207	18
11201207	2-BOLT PILLOW BLOCK HOUSING	TYPE E	19321208	18
11201215	2-BOLT PILLOW BLOCK HOUSING	TYPE E	19321070	18
11201215	2-BOLT PILLOW BLOCK HOUSING	TYPE E	19321075	18
11201215	2-BOLT PILLOW BLOCK HOUSING	TYPE E	19321211	18
11201215	2-BOLT PILLOW BLOCK HOUSING	TYPE E	19321212	18
11201215	2-BOLT PILLOW BLOCK HOUSING	TYPE E	19321215	18
11201215	2-BOLT PILLOW BLOCK HOUSING	TYPE E	19321300	18
11201307	2-BOLT PILLOW BLOCK HOUSING	TYPE E	19321080	18
11201307	2-BOLT PILLOW BLOCK HOUSING	TYPE E	19321085	18
11201307	2-BOLT PILLOW BLOCK HOUSING	TYPE E	19321090	18
11201307	2-BOLT PILLOW BLOCK HOUSING	TYPE E	19321303	18
11201307	2-BOLT PILLOW BLOCK HOUSING	TYPE E	19321304	18
11201307	2-BOLT PILLOW BLOCK HOUSING	TYPE E	19321307	18
11201307	2-BOLT PILLOW BLOCK HOUSING	TYPE E	19321308	18
11221207	2-BOLT PILLOW BLOCK HOUSING	M2000 Spherical	19121207	48
11221207	2-BOLT PILLOW BLOCK HOUSING	M2000 Spherical	19121208	48
11221207	2-BOLT PILLOW BLOCK HOUSING	M2000 Spherical	19221207	48
11221207	2-BOLT PILLOW BLOCK HOUSING	M2000 Spherical	19221208	48
11221207	2-BOLT PILLOW BLOCK HOUSING	M3000 Even-Lok Spherical	19621207	72



## COMPONENT INTERCHANGE

COMPONENT #	COMPONENT TYPE	SERIES	MOLINE PART #	PAGE #
11221207	2-BOLT PILLOW BLOCK HOUSING	M3000 Even-Lok Spherical	19621208	72
11221207	2-BOLT PILLOW BLOCK HOUSING	M3000 Even-Lok Spherical	19721207	72
11221207	2-BOLT PILLOW BLOCK HOUSING	M3000 Even-Lok Spherical	19721208	72
11221215	2-BOLT PILLOW BLOCK HOUSING	M2000 Spherical	19121211	48
11221215	2-BOLT PILLOW BLOCK HOUSING	M2000 Spherical	19121212	48
11221215	2-BOLT PILLOW BLOCK HOUSING	M2000 Spherical	19121215	48
11221215	2-BOLT PILLOW BLOCK HOUSING	M2000 Spherical	19121300	48
11221215	2-BOLT PILLOW BLOCK HOUSING	M2000 Spherical	19221211	48
11221215	2-BOLT PILLOW BLOCK HOUSING	M2000 Spherical	19221212	48
11221215	2-BOLT PILLOW BLOCK HOUSING	M2000 Spherical	19221215	48
11221215	2-BOLT PILLOW BLOCK HOUSING	M2000 Spherical	19221300	48
11221215	2-BOLT PILLOW BLOCK HOUSING	M3000 Even-Lok Spherical	19621211	72
11221215	2-BOLT PILLOW BLOCK HOUSING	M3000 Even-Lok Spherical	19621212	72
11221215	2-BOLT PILLOW BLOCK HOUSING	M3000 Even-Lok Spherical	19621215	72
11221215	2-BOLT PILLOW BLOCK HOUSING	M3000 Even-Lok Spherical	19621300	72
11221215	2-BOLT PILLOW BLOCK HOUSING	M3000 Even-Lok Spherical	19721211	72
11221215	2-BOLT PILLOW BLOCK HOUSING	M3000 Even-Lok Spherical	19721212	72
11221215	2-BOLT PILLOW BLOCK HOUSING	M3000 Even-Lok Spherical	19721215	72
11221215	2-BOLT PILLOW BLOCK HOUSING	M3000 Even-Lok Spherical	19721300	72
11221307	2-BOLT PILLOW BLOCK HOUSING	M2000 Spherical	19121303	48
11221307	2-BOLT PILLOW BLOCK HOUSING	M2000 Spherical	19121307	48
11221307	2-BOLT PILLOW BLOCK HOUSING	M2000 Spherical	19121308	48
11221307	2-BOLT PILLOW BLOCK HOUSING	M2000 Spherical	19221303	48
11221307	2-BOLT PILLOW BLOCK HOUSING	M2000 Spherical	19221307	48
11221307	2-BOLT PILLOW BLOCK HOUSING	M2000 Spherical	19221308	48
11221307	2-BOLT PILLOW BLOCK HOUSING	M3000 Even-Lok Spherical	19621307	72
11221307	2-BOLT PILLOW BLOCK HOUSING	M3000 Even-Lok Spherical	19621308	72
11221307	2-BOLT PILLOW BLOCK HOUSING	M3000 Even-Lok Spherical	19721307	72
11221307	2-BOLT PILLOW BLOCK HOUSING	M3000 Even-Lok Spherical	19721308	72
11221315	2-BOLT PILLOW BLOCK HOUSING	M2000 Spherical	19121311	48



**MOLINE BEARING CO.**

Post Office Box 99, Batavia, Illinois 60510, USA  
 630.584.4600, 800.242.4633, 630.584.1999 fax  
[www.molinebearing.com](http://www.molinebearing.com), [sales@molinebearing.com](mailto:sales@molinebearing.com)

TEL # **800.242.4633**

197

## COMPONENT INTERCHANGE

COMPONENT #	COMPONENT TYPE	SERIES	MOLINE PART #	PAGE #
11221315	2-BOLT PILLOW BLOCK HOUSING	M2000 Spherical	19121315	48
11221315	2-BOLT PILLOW BLOCK HOUSING	M2000 Spherical	19121400	48
11221315	2-BOLT PILLOW BLOCK HOUSING	M2000 Spherical	19221311	48
11221315	2-BOLT PILLOW BLOCK HOUSING	M2000 Spherical	19221315	48
11221315	2-BOLT PILLOW BLOCK HOUSING	M2000 Spherical	19221400	48
11221315	2-BOLT PILLOW BLOCK HOUSING	M3000 Even-Lok Spherical	19621315	72
11221315	2-BOLT PILLOW BLOCK HOUSING	M3000 Even-Lok Spherical	19621400	72
11221315	2-BOLT PILLOW BLOCK HOUSING	M3000 Even-Lok Spherical	19721315	72
11221315	2-BOLT PILLOW BLOCK HOUSING	M3000 Even-Lok Spherical	19721400	72
11301115	PILOTED FLANGE HOUSING	TYPE E	19331045	28
11301115	PILOTED FLANGE HOUSING	TYPE E	19331050	28
11301115	PILOTED FLANGE HOUSING	TYPE E	19331112	28
11301115	PILOTED FLANGE HOUSING	TYPE E	19331114	28
11301115	PILOTED FLANGE HOUSING	TYPE E	19331115	28
11301115	PILOTED FLANGE HOUSING	TYPE E	19331200	28
11301203	PILOTED FLANGE HOUSING	TYPE E	19331203	28
11301207	PILOTED FLANGE HOUSING	TYPE E	19331060	28
11301207	PILOTED FLANGE HOUSING	TYPE E	19331065	28
11301207	PILOTED FLANGE HOUSING	TYPE E	19331207	28
11301207	PILOTED FLANGE HOUSING	TYPE E	19331207	28
11301207	PILOTED FLANGE HOUSING	TYPE E	19331208	28
11301215	PILOTED FLANGE HOUSING	TYPE E	19331070	28
11301215	PILOTED FLANGE HOUSING	TYPE E	19331075	28
11301215	PILOTED FLANGE HOUSING	TYPE E	19331211	28
11301215	PILOTED FLANGE HOUSING	TYPE E	19331212	28
11301215	PILOTED FLANGE HOUSING	TYPE E	19331215	28
11301215	PILOTED FLANGE HOUSING	TYPE E	19331300	28
11301307	PILOTED FLANGE HOUSING	TYPE E	19331080	28
11301307	PILOTED FLANGE HOUSING	TYPE E	19331085	28
11301307	PILOTED FLANGE HOUSING	TYPE E	19331090	28



## COMPONENT INTERCHANGE

COMPONENT #	COMPONENT TYPE	SERIES	MOLINE PART #	PAGE #
11301307	PILOTED FLANGE HOUSING	TYPE E	19331303	28
11301307	PILOTED FLANGE HOUSING	TYPE E	19331304	28
11301307	PILOTED FLANGE HOUSING	TYPE E	19331307	28
11301307	PILOTED FLANGE HOUSING	TYPE E	19331308	28
11301315	PILOTED FLANGE HOUSING	TYPE E	19331100	28
11301315	PILOTED FLANGE HOUSING	TYPE E	19331315	28
11301315	PILOTED FLANGE HOUSING	TYPE E	19331400	28
11301407	PILOTED FLANGE HOUSING	TYPE E	19331100	28
11301407	PILOTED FLANGE HOUSING	TYPE E	19331407	28
11301407	PILOTED FLANGE HOUSING	TYPE E	19331407	28
11301407	PILOTED FLANGE HOUSING	TYPE E	19331115M	28
11301415	PILOTED FLANGE HOUSING	TYPE E	19331125	28
11301415	PILOTED FLANGE HOUSING	TYPE E	19331415	28
11301415	PILOTED FLANGE HOUSING	TYPE E	19331500	28
11321107	PILOTED FLANGE HOUSING	M2000 Spherical	19131107	54
11321107	PILOTED FLANGE HOUSING	M2000 Spherical	19131108	54
11321107	PILOTED FLANGE HOUSING	M2000 Spherical	19231107	54
11321107	PILOTED FLANGE HOUSING	M2000 Spherical	19231108	54
11321107	PILOTED FLANGE HOUSING	M3000 Even-Lok Spherical	19631107	78
11321107	PILOTED FLANGE HOUSING	M3000 Even-Lok Spherical	19631108	78
11321107	PILOTED FLANGE HOUSING	M3000 Even-Lok Spherical	19731107	78
11321107	PILOTED FLANGE HOUSING	M3000 Even-Lok Spherical	19731108	78
11321111	PILOTED FLANGE HOUSING	M2000 Spherical	19131111	54
11321111	PILOTED FLANGE HOUSING	M2000 Spherical	19131112	54
11321111	PILOTED FLANGE HOUSING	M2000 Spherical	19231111	54
11321111	PILOTED FLANGE HOUSING	M2000 Spherical	19231112	54
11321111	PILOTED FLANGE HOUSING	M3000 Even-Lok Spherical	19631111	78
11321111	PILOTED FLANGE HOUSING	M3000 Even-Lok Spherical	19631112	78
11321111	PILOTED FLANGE HOUSING	M3000 Even-Lok Spherical	19731111	78
11321111	PILOTED FLANGE HOUSING	M3000 Even-Lok Spherical	19731112	78



**MOLINE BEARING CO.**

Post Office Box 99, Batavia, Illinois 60510, USA  
 630.584.4600, 800.242.4633, 630.584.1999 fax  
[www.molinebearing.com](http://www.molinebearing.com), [sales@molinebearing.com](mailto:sales@molinebearing.com)

TEL # **800.242.4633**

199

## COMPONENT INTERCHANGE

COMPONENT #	COMPONENT TYPE	SERIES	MOLINE PART #	PAGE #
11321115	PILOTED FLANGE HOUSING	M2000 Spherical	19131115	54
11321115	PILOTED FLANGE HOUSING	M2000 Spherical	19131200	54
11321115	PILOTED FLANGE HOUSING	M2000 Spherical	19231115	54
11321115	PILOTED FLANGE HOUSING	M2000 Spherical	19231200	54
11321115	PILOTED FLANGE HOUSING	M3000 Even-Lok Spherical	19631115	78
11321115	PILOTED FLANGE HOUSING	M3000 Even-Lok Spherical	19631200	78
11321115	PILOTED FLANGE HOUSING	M3000 Even-Lok Spherical	19731115	78
11321115	PILOTED FLANGE HOUSING	M3000 Even-Lok Spherical	19731200	78
11321203	PILOTED FLANGE HOUSING	M2000 Spherical	19131203	54
11321203	PILOTED FLANGE HOUSING	M2000 Spherical	19231203	54
11321203	PILOTED FLANGE HOUSING	M3000 Even-Lok Spherical	19631203	78
11321203	PILOTED FLANGE HOUSING	M3000 Even-Lok Spherical	19731203	78
11321207	PILOTED FLANGE HOUSING	M2000 Spherical	19131207	54
11321207	PILOTED FLANGE HOUSING	M2000 Spherical	19131208	54
11321207	PILOTED FLANGE HOUSING	M2000 Spherical	19231207	54
11321207	PILOTED FLANGE HOUSING	M2000 Spherical	19231208	54
11321207	PILOTED FLANGE HOUSING	M3000 Even-Lok Spherical	19631207	78
11321207	PILOTED FLANGE HOUSING	M3000 Even-Lok Spherical	19631208	78
11321207	PILOTED FLANGE HOUSING	M3000 Even-Lok Spherical	19731207	78
11321207	PILOTED FLANGE HOUSING	M3000 Even-Lok Spherical	19731208	78
11321215	PILOTED FLANGE HOUSING	M2000 Spherical	19131211	54
11321215	PILOTED FLANGE HOUSING	M2000 Spherical	19131212	54
11321215	PILOTED FLANGE HOUSING	M2000 Spherical	19131215	54
11321215	PILOTED FLANGE HOUSING	M2000 Spherical	19131300	54
11321215	PILOTED FLANGE HOUSING	M2000 Spherical	19231211	54
11321215	PILOTED FLANGE HOUSING	M2000 Spherical	19231212	54
11321215	PILOTED FLANGE HOUSING	M2000 Spherical	19231215	54
11321215	PILOTED FLANGE HOUSING	M2000 Spherical	19231300	54
11321215	PILOTED FLANGE HOUSING	M3000 Even-Lok Spherical	19631211	78
11321215	PILOTED FLANGE HOUSING	M3000 Even-Lok Spherical	19631212	78



## COMPONENT INTERCHANGE

COMPONENT #	COMPONENT TYPE	SERIES	MOLINE PART #	PAGE #
11321215	PILOTED FLANGE HOUSING	M3000 Even-Lok Spherical	19631215	78
11321215	PILOTED FLANGE HOUSING	M3000 Even-Lok Spherical	19631300	78
11321215	PILOTED FLANGE HOUSING	M3000 Even-Lok Spherical	19731211	78
11321215	PILOTED FLANGE HOUSING	M3000 Even-Lok Spherical	19731212	78
11321215	PILOTED FLANGE HOUSING	M3000 Even-Lok Spherical	19731215	78
11321215	PILOTED FLANGE HOUSING	M3000 Even-Lok Spherical	19731300	78
11321307	PILOTED FLANGE HOUSING	M2000 Spherical	19131303	54
11321307	PILOTED FLANGE HOUSING	M2000 Spherical	19131307	54
11321307	PILOTED FLANGE HOUSING	M2000 Spherical	19131308	54
11321307	PILOTED FLANGE HOUSING	M2000 Spherical	19231303	54
11321307	PILOTED FLANGE HOUSING	M2000 Spherical	19231307	54
11321307	PILOTED FLANGE HOUSING	M2000 Spherical	19231308	54
11321307	PILOTED FLANGE HOUSING	M3000 Even-Lok Spherical	19631303	78
11321307	PILOTED FLANGE HOUSING	M3000 Even-Lok Spherical	19631307	78
11321307	PILOTED FLANGE HOUSING	M3000 Even-Lok Spherical	19631308	78
11321307	PILOTED FLANGE HOUSING	M3000 Even-Lok Spherical	19731303	78
11321307	PILOTED FLANGE HOUSING	M3000 Even-Lok Spherical	19731307	78
11321307	PILOTED FLANGE HOUSING	M3000 Even-Lok Spherical	19731308	78
11321315	PILOTED FLANGE HOUSING	M2000 Spherical	19131311	54
11321315	PILOTED FLANGE HOUSING	M2000 Spherical	19131315	54
11321315	PILOTED FLANGE HOUSING	M2000 Spherical	19131400	54
11321315	PILOTED FLANGE HOUSING	M2000 Spherical	19231311	54
11321315	PILOTED FLANGE HOUSING	M2000 Spherical	19231315	54
11321315	PILOTED FLANGE HOUSING	M2000 Spherical	19231400	54
11321315	PILOTED FLANGE HOUSING	M3000 Even-Lok Spherical	19731315	78
11321315	PILOTED FLANGE HOUSING	M3000 Even-Lok Spherical	19731400	78
11401207	4-BOLT PILLOW BLOCK HOUSING	TYPE E	19341060	20
11401207	4-BOLT PILLOW BLOCK HOUSING	TYPE E	19341065	20
11401207	4-BOLT PILLOW BLOCK HOUSING	TYPE E	19341204	20
11401207	4-BOLT PILLOW BLOCK HOUSING	TYPE E	19341207	20
11401207	4-BOLT PILLOW BLOCK HOUSING	TYPE E	19341208	20



**MOLINE BEARING CO.**

Post Office Box 99, Batavia, Illinois 60510, USA  
 630.584.4600, 800.242.4633, 630.584.1999 fax  
[www.molinebearing.com](http://www.molinebearing.com), [sales@molinebearing.com](mailto:sales@molinebearing.com)

TEL # **800.242.4633**

201



## COMPONENT INTERCHANGE

COMPONENT #	COMPONENT TYPE	SERIES	MOLINE PART #	PAGE #
11401215	4-BOLT PILLOW BLOCK HOUSING	TYPE E	19341070	20
11401215	4-BOLT PILLOW BLOCK HOUSING	TYPE E	19341075	20
11401215	4-BOLT PILLOW BLOCK HOUSING	TYPE E	19341211	20
11401215	4-BOLT PILLOW BLOCK HOUSING	TYPE E	19341212	20
11401215	4-BOLT PILLOW BLOCK HOUSING	TYPE E	19341215	20
11401215	4-BOLT PILLOW BLOCK HOUSING	TYPE E	19341300	20
11401307	4-BOLT PILLOW BLOCK HOUSING	TYPE E	19341080	20
11401307	4-BOLT PILLOW BLOCK HOUSING	TYPE E	19341085	20
11401307	4-BOLT PILLOW BLOCK HOUSING	TYPE E	19341090	20
11401307	4-BOLT PILLOW BLOCK HOUSING	TYPE E	19341303	20
11401307	4-BOLT PILLOW BLOCK HOUSING	TYPE E	19341304	20
11401307	4-BOLT PILLOW BLOCK HOUSING	TYPE E	19341307	20
11401307	4-BOLT PILLOW BLOCK HOUSING	TYPE E	19341308	20
11401315	4-BOLT PILLOW BLOCK HOUSING	TYPE E	19341100	20
11401315	4-BOLT PILLOW BLOCK HOUSING	TYPE E	19341315	20
11401315	4-BOLT PILLOW BLOCK HOUSING	TYPE E	19341400	20
11401407	4-BOLT PILLOW BLOCK HOUSING	TYPE E	19341110	22
11401407	4-BOLT PILLOW BLOCK HOUSING	TYPE E	19341115	22
11401407	4-BOLT PILLOW BLOCK HOUSING	TYPE E	19341407	22
11401407	4-BOLT PILLOW BLOCK HOUSING	TYPE E	19341408	22
11401415	4-BOLT PILLOW BLOCK HOUSING	TYPE E	19341125	22
11401415	4-BOLT PILLOW BLOCK HOUSING	TYPE E	19341415	22
11401415	4-BOLT PILLOW BLOCK HOUSING	TYPE E	19341500	22
11401515	4-BOLT PILLOW BLOCK HOUSING	TYPE E	19341507	22
11401515	4-BOLT PILLOW BLOCK HOUSING	TYPE E	19341515	22
11401515	4-BOLT PILLOW BLOCK HOUSING	TYPE E	19341600	22
11401615	4-BOLT PILLOW BLOCK HOUSING	TYPE E	19341607	22
11401615	4-BOLT PILLOW BLOCK HOUSING	TYPE E	19341608	22
11401615	4-BOLT PILLOW BLOCK HOUSING	TYPE E	19341615	22
11401615	4-BOLT PILLOW BLOCK HOUSING	TYPE E	19341700	22
11421207	4-BOLT PILLOW BLOCK HOUSING	M2000 Spherical	19141207	50



## COMPONENT INTERCHANGE

COMPONENT #	COMPONENT TYPE	SERIES	MOLINE PART #	PAGE #
11421207	4-BOLT PILLOW BLOCK HOUSING	M2000 Spherical	19141207	50
11421207	4-BOLT PILLOW BLOCK HOUSING	M2000 Spherical	19241207	50
11421207	4-BOLT PILLOW BLOCK HOUSING	M2000 Spherical	19241208	50
11421207	4-BOLT PILLOW BLOCK HOUSING	M3000 Even-Lok Spherical	19641207	74
11421207	4-BOLT PILLOW BLOCK HOUSING	M3000 Even-Lok Spherical	19641208	74
11421207	4-BOLT PILLOW BLOCK HOUSING	M3000 Even-Lok Spherical	19741207	74
11421207	4-BOLT PILLOW BLOCK HOUSING	M3000 Even-Lok Spherical	19741208	74
11421215	4-BOLT PILLOW BLOCK HOUSING	M2000 Spherical	19141211	50
11421215	4-BOLT PILLOW BLOCK HOUSING	M2000 Spherical	19141212	50
11421215	4-BOLT PILLOW BLOCK HOUSING	M2000 Spherical	19141215	50
11421215	4-BOLT PILLOW BLOCK HOUSING	M2000 Spherical	19141300	50
11421215	4-BOLT PILLOW BLOCK HOUSING	M2000 Spherical	19241211	50
11421215	4-BOLT PILLOW BLOCK HOUSING	M2000 Spherical	19241212	50
11421215	4-BOLT PILLOW BLOCK HOUSING	M2000 Spherical	19241215	50
11421215	4-BOLT PILLOW BLOCK HOUSING	M2000 Spherical	19241300	50
11421215	4-BOLT PILLOW BLOCK HOUSING	M3000 Even-Lok Spherical	19641211	74
11421215	4-BOLT PILLOW BLOCK HOUSING	M3000 Even-Lok Spherical	19641212	74
11421215	4-BOLT PILLOW BLOCK HOUSING	M3000 Even-Lok Spherical	19641215	74
11421215	4-BOLT PILLOW BLOCK HOUSING	M3000 Even-Lok Spherical	19641300	74
11421215	4-BOLT PILLOW BLOCK HOUSING	M3000 Even-Lok Spherical	19741211	74
11421215	4-BOLT PILLOW BLOCK HOUSING	M3000 Even-Lok Spherical	19741212	74
11421215	4-BOLT PILLOW BLOCK HOUSING	M3000 Even-Lok Spherical	19741215	74
11421215	4-BOLT PILLOW BLOCK HOUSING	M3000 Even-Lok Spherical	19741300	74
11421307	4-BOLT PILLOW BLOCK HOUSING	M2000 Spherical	19141303	50
11421307	4-BOLT PILLOW BLOCK HOUSING	M2000 Spherical	19141307	50
11421307	4-BOLT PILLOW BLOCK HOUSING	M2000 Spherical	19141308	50
11421307	4-BOLT PILLOW BLOCK HOUSING	M2000 Spherical	19241303	50
11421307	4-BOLT PILLOW BLOCK HOUSING	M2000 Spherical	19241307	50
11421307	4-BOLT PILLOW BLOCK HOUSING	M2000 Spherical	19241308	50
11421307	4-BOLT PILLOW BLOCK HOUSING	M3000 Even-Lok Spherical	19641303	74



**MOLINE BEARING CO.**

Post Office Box 99, Batavia, Illinois 60510, USA  
 630.584.4600, 800.242.4633, 630.584.1999 fax  
[www.molinebearing.com](http://www.molinebearing.com), [sales@molinebearing.com](mailto:sales@molinebearing.com)

TEL # **800.242.4633**

203

## COMPONENT INTERCHANGE

COMPONENT #	COMPONENT TYPE	SERIES	MOLINE PART #	PAGE #
11421307	4-BOLT PILLOW BLOCK HOUSING	M3000 Even-Lok Spherical	19641307	74
11421307	4-BOLT PILLOW BLOCK HOUSING	M3000 Even-Lok Spherical	19641308	74
11421307	4-BOLT PILLOW BLOCK HOUSING	M3000 Even-Lok Spherical	19741303	74
11421307	4-BOLT PILLOW BLOCK HOUSING	M3000 Even-Lok Spherical	19741307	74
11421307	4-BOLT PILLOW BLOCK HOUSING	M3000 Even-Lok Spherical	19741308	74
11421315	4-BOLT PILLOW BLOCK HOUSING	M2000 Spherical	19141311	50
11421315	4-BOLT PILLOW BLOCK HOUSING	M2000 Spherical	19141315	50
11421315	4-BOLT PILLOW BLOCK HOUSING	M2000 Spherical	19141400	50
11421315	4-BOLT PILLOW BLOCK HOUSING	M2000 Spherical	19241311	50
11421315	4-BOLT PILLOW BLOCK HOUSING	M2000 Spherical	19241315	50
11421315	4-BOLT PILLOW BLOCK HOUSING	M2000 Spherical	19241400	50
11421315	4-BOLT PILLOW BLOCK HOUSING	M3000 Even-Lok Spherical	19641311	74
11421315	4-BOLT PILLOW BLOCK HOUSING	M3000 Even-Lok Spherical	19641315	74
11421315	4-BOLT PILLOW BLOCK HOUSING	M3000 Even-Lok Spherical	19641400	74
11421315	4-BOLT PILLOW BLOCK HOUSING	M3000 Even-Lok Spherical	19741311	74
11421315	4-BOLT PILLOW BLOCK HOUSING	M3000 Even-Lok Spherical	19741315	74
11421315	4-BOLT PILLOW BLOCK HOUSING	M3000 Even-Lok Spherical	19741400	74
11501115	WIDE SLOT TAKE-UP HOUSING	TYPE E	19351045	30
11501115	WIDE SLOT TAKE-UP HOUSING	TYPE E	19351050	30
11501115	WIDE SLOT TAKE-UP HOUSING	TYPE E	19351112	30
11501115	WIDE SLOT TAKE-UP HOUSING	TYPE E	19351114	30
11501115	WIDE SLOT TAKE-UP HOUSING	TYPE E	19351115	30
11501115	WIDE SLOT TAKE-UP HOUSING	TYPE E	19351200	30
11501203	WIDE SLOT TAKE-UP HOUSING	TYPE E	19351203	30
11501207	WIDE SLOT TAKE-UP HOUSING	TYPE E	19351060	30
11501207	WIDE SLOT TAKE-UP HOUSING	TYPE E	19351065	30
11501207	WIDE SLOT TAKE-UP HOUSING	TYPE E	19351204	30
11501207	WIDE SLOT TAKE-UP HOUSING	TYPE E	19351207	30
11501207	WIDE SLOT TAKE-UP HOUSING	TYPE E	19351208	30
11501215	WIDE SLOT TAKE-UP HOUSING	TYPE E	19351070	30



## COMPONENT INTERCHANGE

COMPONENT #	COMPONENT TYPE	SERIES	MOLINE PART #	PAGE #
11501215	WIDE SLOT TAKE-UP HOUSING	TYPE E	19351075	30
11501215	WIDE SLOT TAKE-UP HOUSING	TYPE E	19351211	30
11501215	WIDE SLOT TAKE-UP HOUSING	TYPE E	19351212	30
11501215	WIDE SLOT TAKE-UP HOUSING	TYPE E	19351215	30
11501215	WIDE SLOT TAKE-UP HOUSING	TYPE E	19351300	30
11521115	WIDE SLOT TAKE-UP HOUSING	M2000 Spherical	19151115	56
11521115	WIDE SLOT TAKE-UP HOUSING	M2000 Spherical	19151200	56
11521115	WIDE SLOT TAKE-UP HOUSING	M2000 Spherical	19251115	56
11521115	WIDE SLOT TAKE-UP HOUSING	M2000 Spherical	19251200	56
11521115	WIDE SLOT TAKE-UP HOUSING	M3000 Even-Lok Spherical	19651115	80
11521115	WIDE SLOT TAKE-UP HOUSING	M3000 Even-Lok Spherical	19651200	80
11521115	WIDE SLOT TAKE-UP HOUSING	M3000 Even-Lok Spherical	19751115	80
11521115	WIDE SLOT TAKE-UP HOUSING	M3000 Even-Lok Spherical	19751200	80
11521203	WIDE SLOT TAKE-UP HOUSING	M2000 Spherical	19151203	56
11521203	WIDE SLOT TAKE-UP HOUSING	M2000 Spherical	19251203	56
11521203	WIDE SLOT TAKE-UP HOUSING	M3000 Even-Lok Spherical	19651203	80
11521203	WIDE SLOT TAKE-UP HOUSING	M3000 Even-Lok Spherical	19751203	80
11521207	WIDE SLOT TAKE-UP HOUSING	M2000 Spherical	19151207	56
11521207	WIDE SLOT TAKE-UP HOUSING	M2000 Spherical	19151208	56
11521207	WIDE SLOT TAKE-UP HOUSING	M2000 Spherical	19251207	56
11521207	WIDE SLOT TAKE-UP HOUSING	M2000 Spherical	19251208	56
11521207	WIDE SLOT TAKE-UP HOUSING	M3000 Even-Lok Spherical	19651207	80
11521207	WIDE SLOT TAKE-UP HOUSING	M3000 Even-Lok Spherical	19651208	80
11521207	WIDE SLOT TAKE-UP HOUSING	M3000 Even-Lok Spherical	19751207	80
11521207	WIDE SLOT TAKE-UP HOUSING	M3000 Even-Lok Spherical	19751208	80
11521215	WIDE SLOT TAKE-UP HOUSING	M2000 Spherical	19151211	56
11521215	WIDE SLOT TAKE-UP HOUSING	M2000 Spherical	19151212	56
11521215	WIDE SLOT TAKE-UP HOUSING	M2000 Spherical	19151215	56
11521215	WIDE SLOT TAKE-UP HOUSING	M2000 Spherical	19151300	56
11521215	WIDE SLOT TAKE-UP HOUSING	M2000 Spherical	19251211	56



**MOLINE BEARING CO.**

Post Office Box 99, Batavia, Illinois 60510, USA  
 630.584.4600, 800.242.4633, 630.584.1999 fax  
[www.molinebearing.com](http://www.molinebearing.com), [sales@molinebearing.com](mailto:sales@molinebearing.com)

TEL # **800.242.4633**

205

## COMPONENT INTERCHANGE

COMPONENT #	COMPONENT TYPE	SERIES	MOLINE PART #	PAGE #
11521215	WIDE SLOT TAKE-UP HOUSING	M2000 Spherical	19251212	56
11521215	WIDE SLOT TAKE-UP HOUSING	M2000 Spherical	19251215	56
11521215	WIDE SLOT TAKE-UP HOUSING	M2000 Spherical	19251300	56
11521215	WIDE SLOT TAKE-UP HOUSING	M3000 Even-Lok Spherical	19651211	80
11521215	WIDE SLOT TAKE-UP HOUSING	M3000 Even-Lok Spherical	19651212	80
11521215	WIDE SLOT TAKE-UP HOUSING	M3000 Even-Lok Spherical	19651215	80
11521215	WIDE SLOT TAKE-UP HOUSING	M3000 Even-Lok Spherical	19651300	80
11521215	WIDE SLOT TAKE-UP HOUSING	M3000 Even-Lok Spherical	19751211	80
11521215	WIDE SLOT TAKE-UP HOUSING	M3000 Even-Lok Spherical	19751212	80
11521215	WIDE SLOT TAKE-UP HOUSING	M3000 Even-Lok Spherical	19751215	80
11521215	WIDE SLOT TAKE-UP HOUSING	M3000 Even-Lok Spherical	19751300	80
08118DE	103 CONE	TYPE E	19311103	24
08118DE	103 CONE	TYPE E	19321103	18
08125DE	104 CONE	TYPE E	19311104	24
08125DE	104 CONE	TYPE E	19321104	18
19137DE	106 CONE	TYPE E	19311106	24
19137DE	106 CONE	TYPE E	19321106	18
19138DE	35MM CONE	TYPE E	19311035	24
19138DE	35MM CONE	TYPE E	19321035	18
19143DE	107 CONE	TYPE E	19311107	24
19143DE	107 CONE	TYPE E	19321107	18
22150DE	108 CONE	TYPE E	19311108	24
22150DE	108 CONE	TYPE E	19321108	18
22157DE	40MM CONE	TYPE E	19311040	24
22157DE	40MM CONE	TYPE E	19321040	18
22162DE	110 CONE	TYPE E	19311110	24
22162DE	110 CONE	TYPE E	19321110	18
22168DE	111 CONE	TYPE E	19311111	24
22168DE	111 CONE	TYPE E	19321111	18
34268DE	211 CONE	TYPE E	19311211	24



## COMPONENT INTERCHANGE

COMPONENT #	COMPONENT TYPE	SERIES	MOLINE PART #	PAGE #
34268DE	211 CONE	TYPE E	19321211	18
34268DE	211 CONE	TYPE E	19331211	28
34268DE	211 CONE	TYPE E	19341211	20
34268DE	211 CONE	TYPE E	19351211	30
34275DE	212 CONE	TYPE E	19311212	26
34275DE	212 CONE	TYPE E	19321212	18
34275DE	212 CONE	TYPE E	19331212	28
34275DE	212 CONE	TYPE E	19341212	20
34275DE	212 CONE	TYPE E	19351212	30
34276DE	70MM CONE	TYPE E	19311070	26
34276DE	70MM CONE	TYPE E	19321070	18
34276DE	70MM CONE	TYPE E	19331070	28
34276DE	70MM CONE	TYPE E	19341070	20
34276DE	70MM CONE	TYPE E	19351070	30
34293DE	215 CONE	TYPE E	19311215	26
34293DE	215 CONE	TYPE E	19321215	18
34293DE	215 CONE	TYPE E	19331215	28
34293DE	215 CONE	TYPE E	19341215	20
34293DE	215 CONE	TYPE E	19351215	30
34295DE	75MM CONE	TYPE E	19311075	26
34295DE	75MM CONE	TYPE E	19321075	18
34295DE	75MM CONE	TYPE E	19331075	28
34295DE	75MM CONE	TYPE E	19341075	20
34295DE	75MM CONE	TYPE E	19351075	30
34300DE	300 CONE	TYPE E	19311300	26
34300DE	300 CONE	TYPE E	19321300	18
34300DE	300 CONE	TYPE E	19331300	28
34300DE	300 CONE	TYPE E	19341300	20
34300DE	300 CONE	TYPE E	19351300	30
365DE	112 CONE	TYPE E	19351112	30



**MOLINE BEARING CO.**

Post Office Box 99, Batavia, Illinois 60510, USA  
 630.584.4600, 800.242.4633, 630.584.1999 fax  
[www.molinebearing.com](http://www.molinebearing.com), [sales@molinebearing.com](mailto:sales@molinebearing.com)

TEL # **800.242.4633**

207

INTERCHANGE  
& NOMENCLATURE

## COMPONENT INTERCHANGE

COMPONENT #	COMPONENT TYPE	SERIES	MOLINE PART #	PAGE #
365DE	112 CONE	TYPE E	19331112	28
365DE	112 CONE	TYPE E	19321112	18
365DE	112 CONE	TYPE E	19311112	24
366DE	114 CONE	TYPE E	19311114	24
366DE	114 CONE	TYPE E	19321114	18
366DE	114 CONE	TYPE E	19331114	28
366DE	114 CONE	TYPE E	19351114	30
367DE	115 CONE	TYPE E	19311115	24
367DE	115 CONE	TYPE E	19321115	18
367DE	115 CONE	TYPE E	19331115	28
367DE	115 CONE	TYPE E	19351115	30
368DE	200 CONE	TYPE E	19311200	24
368DE	200 CONE	TYPE E	19321200	18
368DE	200 CONE	TYPE E	19331200	28
368DE	200 CONE	TYPE E	19351200	30
369DE	45MM CONE	TYPE E	19311045	24
369DE	45MM CONE	TYPE E	19321045	18
369DE	45MM CONE	TYPE E	19331045	28
369DE	45MM CONE	TYPE E	19351045	30
370DE	50MM CONE	TYPE E	19311050	24
370DE	50MM CONE	TYPE E	19321050	18
370DE	50MM CONE	TYPE E	19331050	28
370DE	50MM CONE	TYPE E	19351050	30
388DE	203 CONE	TYPE E	19311203	24
388DE	203 CONE	TYPE E	19321203	18
388DE	203 CONE	TYPE E	19331203	28
388DE	203 CONE	TYPE E	19351203	30
39225DE	204 CONE	TYPE E	19311204	24
39225DE	204 CONE	TYPE E	19321204	18
39225DE	204 CONE	TYPE E	19331204	28



## COMPONENT INTERCHANGE

COMPONENT #	COMPONENT TYPE	SERIES	MOLINE PART #	PAGE #
39225DE	204 CONE	TYPE E	19341204	20
39225DE	204 CONE	TYPE E	19351204	30
39236DE	60MM CONE	TYPE E	19311060	24
39236DE	60MM CONE	TYPE E	19321060	18
39236DE	60MM CONE	TYPE E	19331060	28
39236DE	60MM CONE	TYPE E	19341060	20
39236DE	60MM CONE	TYPE E	19351060	30
39243DE	207 CONE	TYPE E	19311207	24
39243DE	207 CONE	TYPE E	19321207	18
39243DE	207 CONE	TYPE E	19331207	28
39243DE	207 CONE	TYPE E	19341207	20
39243DE	207 CONE	TYPE E	19351207	30
39250DE	208 CONE	TYPE E	19311208	24
39250DE	208 CONE	TYPE E	19321208	18
39250DE	208 CONE	TYPE E	19331208	28
39250DE	208 CONE	TYPE E	19341208	20
39250DE	208 CONE	TYPE E	19351208	30
39255DE	65MM CONE	TYPE E	19311065	24
39255DE	65MM CONE	TYPE E	19321065	18
39255DE	65MM CONE	TYPE E	19331065	28
39255DE	65MM CONE	TYPE E	19341065	20
39255DE	65MM CONE	TYPE E	19351065	30
42314DE	80MM CONE	TYPE E	19311080	26
42314DE	80MM CONE	TYPE E	19321080	18
42314DE	80MM CONE	TYPE E	19331080	28
42314DE	80MM CONE	TYPE E	19341080	20
42318DE	303 CONE	TYPE E	19311303	26
42318DE	303 CONE	TYPE E	19321303	18
42318DE	303 CONE	TYPE E	19331303	28
42318DE	303 CONE	TYPE E	19341303	20



**MOLINE BEARING CO.**

Post Office Box 99, Batavia, Illinois 60510, USA  
 630.584.4600, 800.242.4633, 630.584.1999 fax  
[www.molinebearing.com](http://www.molinebearing.com), [sales@molinebearing.com](mailto:sales@molinebearing.com)

TEL # **800.242.4633**

209



## COMPONENT INTERCHANGE

COMPONENT #	COMPONENT TYPE	SERIES	MOLINE PART #	PAGE #
42325DE	304 CONE	TYPE E	19311304	26
42325DE	304 CONE	TYPE E	19321304	18
42325DE	304 CONE	TYPE E	19331304	28
42325DE	304 CONE	TYPE E	19341304	20
42334DE	85MM CONE	TYPE E	19311085	26
42334DE	85MM CONE	TYPE E	19321085	18
42334DE	85MM CONE	TYPE E	19331085	28
42334DE	85MM CONE	TYPE E	19341085	20
42343DE	307 CONE	TYPE E	19311307	26
42343DE	307 CONE	TYPE E	19321307	18
42343DE	307 CONE	TYPE E	19331307	28
42343DE	307 CONE	TYPE E	19341307	20
42343DE	307 CONE	TYPE E	19351307	30
42350DE	308 CONE	TYPE E	19311308	26
42350DE	308 CONE	TYPE E	19321308	18
42350DE	308 CONE	TYPE E	19331308	28
42350DE	308 CONE	TYPE E	19341308	20
42354DE	90MM CONE	TYPE E	19311090	26
42354DE	90MM CONE	TYPE E	19321090	18
42354DE	90MM CONE	TYPE E	19331090	28
42354DE	90MM CONE	TYPE E	19341090	20
476208 103B	BEARING INSERT	M2000 Spherical	19121103	48
476208 103B	BEARING INSERT	M2000 Spherical	19221103	48
476208 104B	BEARING INSERT	M2000 Spherical	19121104	48
476208 104B	BEARING INSERT	M2000 Spherical	19221104	48
476208 107B	BEARING INSERT	M2000 Spherical	19111107	52
476208 107B	BEARING INSERT	M2000 Spherical	19121107	48
476208 107B	BEARING INSERT	M2000 Spherical	19131107	54
476208 107B	BEARING INSERT	M2000 Spherical	19211107	52
476208 107B	BEARING INSERT	M2000 Spherical	19221107	48



## COMPONENT INTERCHANGE

COMPONENT #	COMPONENT TYPE	SERIES	MOLINE PART #	PAGE #
476208 107B	BEARING INSERT	M2000 Spherical	19231107	54
476208 108B	BEARING INSERT	M2000 Spherical	19111108	52
476208 108B	BEARING INSERT	M2000 Spherical	19121108	48
476208 108B	BEARING INSERT	M2000 Spherical	19131108	54
476208 108B	BEARING INSERT	M2000 Spherical	19211108	52
476208 108B	BEARING INSERT	M2000 Spherical	19221108	48
476208 108B	BEARING INSERT	M2000 Spherical	19231108	54
476209 111B	BEARING INSERT	M2000 Spherical	19111111	52
476209 111B	BEARING INSERT	M2000 Spherical	19121111	48
476209 111B	BEARING INSERT	M2000 Spherical	19131111	54
476209 111B	BEARING INSERT	M2000 Spherical	19211111	52
476209 111B	BEARING INSERT	M2000 Spherical	19221111	48
476209 111B	BEARING INSERT	M2000 Spherical	19231111	54
476209 112B	BEARING INSERT	M2000 Spherical	19111112	52
476209 112B	BEARING INSERT	M2000 Spherical	19121112	48
476209 112B	BEARING INSERT	M2000 Spherical	19131112	54
476209 112B	BEARING INSERT	M2000 Spherical	19211112	52
476209 112B	BEARING INSERT	M2000 Spherical	19221112	48
476209 112B	BEARING INSERT	M2000 Spherical	19231112	54
476210 115B	BEARING INSERT	M2000 Spherical	19111115	52
476210 115B	BEARING INSERT	M2000 Spherical	19121115	48
476210 115B	BEARING INSERT	M2000 Spherical	19131115	54
476210 115B	BEARING INSERT	M2000 Spherical	19151115	56
476210 115B	BEARING INSERT	M2000 Spherical	19211115	52
476210 115B	BEARING INSERT	M2000 Spherical	19221115	48
476210 115B	BEARING INSERT	M2000 Spherical	19231115	54
476210 115B	BEARING INSERT	M2000 Spherical	19251115	56
476210 200B	BEARING INSERT	M2000 Spherical	19111200	52
476210 200B	BEARING INSERT	M2000 Spherical	19121200	48
476210 200B	BEARING INSERT	M2000 Spherical	19131200	54



**MOLINE BEARING CO.**

Post Office Box 99, Batavia, Illinois 60510, USA  
 630.584.4600, 800.242.4633, 630.584.1999 fax  
[www.molinebearing.com](http://www.molinebearing.com), [sales@molinebearing.com](mailto:sales@molinebearing.com)

TEL # **800.242.4633**

211

## COMPONENT INTERCHANGE

COMPONENT #	COMPONENT TYPE	SERIES	MOLINE PART #	PAGE #
476210 200B	BEARING INSERT	M2000 Spherical	19151200	56
476210 200B	BEARING INSERT	M2000 Spherical	19211200	52
476210 200B	BEARING INSERT	M2000 Spherical	19221200	48
476210 200B	BEARING INSERT	M2000 Spherical	19231200	54
476210 200B	BEARING INSERT	M2000 Spherical	19251200	56
476211 203B	BEARING INSERT	M2000 Spherical	19111203	52
476211 203B	BEARING INSERT	M2000 Spherical	19121203	48
476211 203B	BEARING INSERT	M2000 Spherical	19131203	54
476211 203B	BEARING INSERT	M2000 Spherical	19151203	56
476211 203B	BEARING INSERT	M2000 Spherical	19211203	52
476211 203B	BEARING INSERT	M2000 Spherical	19221203	48
476211 203B	BEARING INSERT	M2000 Spherical	19231203	54
476211 203B	BEARING INSERT	M2000 Spherical	19251203	56
476213 207B	BEARING INSERT	M2000 Spherical	19111207	52
476213 207B	BEARING INSERT	M2000 Spherical	19121207	48
476213 207B	BEARING INSERT	M2000 Spherical	19131207	54
476213 207B	BEARING INSERT	M2000 Spherical	19141207	50
476213 207B	BEARING INSERT	M2000 Spherical	19151207	56
476213 207B	BEARING INSERT	M2000 Spherical	19211207	52
476213 207B	BEARING INSERT	M2000 Spherical	19221207	48
476213 207B	BEARING INSERT	M2000 Spherical	19231207	54
476213 207B	BEARING INSERT	M2000 Spherical	19241207	50
476213 207B	BEARING INSERT	M2000 Spherical	19251207	56
476213 208B	BEARING INSERT	M2000 Spherical	19111208	52
476213 208B	BEARING INSERT	M2000 Spherical	19121208	48
476213 208B	BEARING INSERT	M2000 Spherical	19131208	54
476213 208B	BEARING INSERT	M2000 Spherical	19141208	50
476213 208B	BEARING INSERT	M2000 Spherical	19151208	56
476213 208B	BEARING INSERT	M2000 Spherical	19211208	52
476213 208B	BEARING INSERT	M2000 Spherical	19221208	48



## COMPONENT INTERCHANGE

COMPONENT #	COMPONENT TYPE	SERIES	MOLINE PART #	PAGE #
476213 208B	BEARING INSERT	M2000 Spherical	19231208	54
476213 208B	BEARING INSERT	M2000 Spherical	19241208	50
476213 208B	BEARING INSERT	M2000 Spherical	19251208	56
476215 211B	BEARING INSERT	M2000 Spherical	19111211	52
476215 211B	BEARING INSERT	M2000 Spherical	19121211	48
476215 211B	BEARING INSERT	M2000 Spherical	19131211	54
476215 211B	BEARING INSERT	M2000 Spherical	19141211	50
476215 211B	BEARING INSERT	M2000 Spherical	19151211	56
476215 211B	BEARING INSERT	M2000 Spherical	19211211	52
476215 211B	BEARING INSERT	M2000 Spherical	19221211	48
476215 211B	BEARING INSERT	M2000 Spherical	19231211	54
476215 211B	BEARING INSERT	M2000 Spherical	19241211	50
476215 211B	BEARING INSERT	M2000 Spherical	19251211	56
476215 212B	BEARING INSERT	M2000 Spherical	19111212	52
476215 212B	BEARING INSERT	M2000 Spherical	19121212	48
476215 212B	BEARING INSERT	M2000 Spherical	19131212	54
476215 212B	BEARING INSERT	M2000 Spherical	19141212	50
476215 212B	BEARING INSERT	M2000 Spherical	19151212	56
476215 212B	BEARING INSERT	M2000 Spherical	19211212	52
476215 212B	BEARING INSERT	M2000 Spherical	19221212	48
476215 212B	BEARING INSERT	M2000 Spherical	19231212	54
476215 212B	BEARING INSERT	M2000 Spherical	19241212	50
476215 212B	BEARING INSERT	M2000 Spherical	19251212	56
476215 215B	BEARING INSERT	M2000 Spherical	19111215	52
476215 215B	BEARING INSERT	M2000 Spherical	19121215	48
476215 215B	BEARING INSERT	M2000 Spherical	19131215	54
476215 215B	BEARING INSERT	M2000 Spherical	19141215	50
476215 215B	BEARING INSERT	M2000 Spherical	19151215	56
476215 215B	BEARING INSERT	M2000 Spherical	19211215	52
476215 215B	BEARING INSERT	M2000 Spherical	19221215	48



**MOLINE BEARING CO.**

Post Office Box 99, Batavia, Illinois 60510, USA  
 630.584.4600, 800.242.4633, 630.584.1999 fax  
[www.molinebearing.com](http://www.molinebearing.com), [sales@molinebearing.com](mailto:sales@molinebearing.com)

TEL # **800.242.4633**

213

## COMPONENT INTERCHANGE

COMPONENT #	COMPONENT TYPE	SERIES	MOLINE PART #	PAGE #
476215 215B	BEARING INSERT	M2000 Spherical	19231215	54
476215 215B	BEARING INSERT	M2000 Spherical	19241215	50
476215 215B	BEARING INSERT	M2000 Spherical	19251215	56
476215 300B	BEARING INSERT	M2000 Spherical	19111300	52
476215 300B	BEARING INSERT	M2000 Spherical	19121300	48
476215 300B	BEARING INSERT	M2000 Spherical	19131300	54
476215 300B	BEARING INSERT	M2000 Spherical	19141300	50
476215 300B	BEARING INSERT	M2000 Spherical	19151300	56
476215 300B	BEARING INSERT	M2000 Spherical	19211300	52
476215 300B	BEARING INSERT	M2000 Spherical	19221300	48
476215 300B	BEARING INSERT	M2000 Spherical	19231300	54
476215 300B	BEARING INSERT	M2000 Spherical	19241300	50
476215 300B	BEARING INSERT	M2000 Spherical	19251300	56
476218 303B	BEARING INSERT	M2000 Spherical	19111303	52
476218 303B	BEARING INSERT	M2000 Spherical	19121303	48
476218 303B	BEARING INSERT	M2000 Spherical	19131303	54
476218 303B	BEARING INSERT	M2000 Spherical	19141303	50
476218 303B	BEARING INSERT	M2000 Spherical	19151303	56
476218 303B	BEARING INSERT	M2000 Spherical	19211303	52
476218 303B	BEARING INSERT	M2000 Spherical	19221303	48
476218 303B	BEARING INSERT	M2000 Spherical	19231303	54
476218 303B	BEARING INSERT	M2000 Spherical	19241303	50
476218 303B	BEARING INSERT	M2000 Spherical	19251303	56
476218 307B	BEARING INSERT	M2000 Spherical	19111307	52
476218 307B	BEARING INSERT	M2000 Spherical	19121307	48
476218 307B	BEARING INSERT	M2000 Spherical	19131307	54
476218 307B	BEARING INSERT	M2000 Spherical	19141307	50
476218 307B	BEARING INSERT	M2000 Spherical	19151307	56
476218 307B	BEARING INSERT	M2000 Spherical	19211307	52
476218 307B	BEARING INSERT	M2000 Spherical	19221307	48



## COMPONENT INTERCHANGE

COMPONENT #	COMPONENT TYPE	SERIES	MOLINE PART #	PAGE #
476218 307B	BEARING INSERT	M2000 Spherical	19231307	54
476218 307B	BEARING INSERT	M2000 Spherical	19241307	50
476218 307B	BEARING INSERT	M2000 Spherical	19251307	56
476218 308B	BEARING INSERT	M2000 Spherical	19111308	52
476218 308B	BEARING INSERT	M2000 Spherical	19121308	48
476218 308B	BEARING INSERT	M2000 Spherical	19131308	54
476218 308B	BEARING INSERT	M2000 Spherical	19141308	50
476218 308B	BEARING INSERT	M2000 Spherical	19151308	56
476218 308B	BEARING INSERT	M2000 Spherical	19211308	52
476218 308B	BEARING INSERT	M2000 Spherical	19221308	48
476218 308B	BEARING INSERT	M2000 Spherical	19231308	54
476218 308B	BEARING INSERT	M2000 Spherical	19241308	50
476218 308B	BEARING INSERT	M2000 Spherical	19251308	56
476220 311B	BEARING INSERT	M2000 Spherical	19111311	52
476220 311B	BEARING INSERT	M2000 Spherical	19121311	48
476220 311B	BEARING INSERT	M2000 Spherical	19131311	54
476220 311B	BEARING INSERT	M2000 Spherical	19141311	50
476220 311B	BEARING INSERT	M2000 Spherical	19211311	52
476220 311B	BEARING INSERT	M2000 Spherical	19221311	48
476220 311B	BEARING INSERT	M2000 Spherical	19231311	54
476220 311B	BEARING INSERT	M2000 Spherical	19241311	50
476220 315B	BEARING INSERT	M2000 Spherical	19111315	52
476220 315B	BEARING INSERT	M2000 Spherical	19121315	48
476220 315B	BEARING INSERT	M2000 Spherical	19131315	54
476220 315B	BEARING INSERT	M2000 Spherical	19141315	50
476220 315B	BEARING INSERT	M2000 Spherical	19211315	52
476220 315B	BEARING INSERT	M2000 Spherical	19221315	48
476220 315B	BEARING INSERT	M2000 Spherical	19231315	54
476220 315B	BEARING INSERT	M2000 Spherical	19241315	50
476220 400B	BEARING INSERT	M2000 Spherical	19111400	52



**MOLINE BEARING CO.**

Post Office Box 99, Batavia, Illinois 60510, USA  
 630.584.4600, 800.242.4633, 630.584.1999 fax  
[www.molinebearing.com](http://www.molinebearing.com), [sales@molinebearing.com](mailto:sales@molinebearing.com)

TEL # **800.242.4633**

215

## COMPONENT INTERCHANGE

COMPONENT #	COMPONENT TYPE	SERIES	MOLINE PART #	PAGE #
476220 400B	BEARING INSERT	M2000 Spherical	19121400	48
476220 400B	BEARING INSERT	M2000 Spherical	19131400	54
476220 400B	BEARING INSERT	M2000 Spherical	19141400	50
476220 400B	BEARING INSERT	M2000 Spherical	19211400	52
476220 400B	BEARING INSERT	M2000 Spherical	19221400	48
476220 400B	BEARING INSERT	M2000 Spherical	19231400	54
476220 400B	BEARING INSERT	M2000 Spherical	19241400	50
476222 407B/VS	BEARING INSERT	M2000 Spherical	19241407	50
476222 407B/VS	BEARING INSERT	M2000 Spherical	19141407	50
476222 408B/VS	BEARING INSERT	M2000 Spherical	19141407	50
476222 408B/VS	BEARING INSERT	M2000 Spherical	19241407	50
476226 415B/VS	BEARING INSERT	M2000 Spherical	19141415	50
476226 415B/VS	BEARING INSERT	M2000 Spherical	19241415	50
52392DE	100MM CONE	TYPE E	19311100	26
52392DE	100MM CONE	TYPE E	19331100	28
52392DE	100MM CONE	TYPE E	19341100	20
52393DE	315 CONE	TYPE E	19311315	26
52393DE	315 CONE	TYPE E	19331315	28
52393DE	315 CONE	TYPE E	19341315	20
52400DE	400 CONE	TYPE E	19311400	26
52400DE	400 CONE	TYPE E	19331400	28
52400DE	400 CONE	TYPE E	19341400	20
64434DE	110MM CONE	TYPE E	19311110	26
64434DE	110MM CONE	TYPE E	19321110	18
64443DE	407 CONE	TYPE E	19311407	26
64443DE	407 CONE	TYPE E	19331407	28
64443DE	407 CONE	TYPE E	19341407	22
64450DE	408 CONE	TYPE E	19311408	26
64450DE	408 CONE	TYPE E	19331408	28
64450DE	408 CONE	TYPE E	19341408	22



## COMPONENT INTERCHANGE

COMPONENT #	COMPONENT TYPE	SERIES	MOLINE PART #	PAGE #
64453DE	115MM CONE	TYPE E	19331115M	28
64453DE	115MM CONE	TYPE E	19341115	22
796DE	125MM CONE	TYPE E	19331125	28
796DE	125MM CONE	TYPE E	19341125	22
797DE	415 CONE	TYPE E	19331415	28
797DE	415 CONE	TYPE E	19341415	22
798DE	500 CONE	TYPE E	19331500	28
798DE	500 CONE	TYPE E	19341500	22
JHM840449	615 CONE	TYPE E	19341608	22
JHM840449	615 CONE	TYPE E	19341615	22
JHM840449	615 CONE	TYPE E	19341700	22
JHM840449	615 CONE	TYPE E	19341607	22
JM736149	515 CONE	TYPE E	19341507	22
JM736149	515 CONE	TYPE E	19341515	22



**MOLINE BEARING CO.**

Post Office Box 99, Batavia, Illinois 60510, USA  
 630.584.4600, 800.242.4633, 630.584.1999 fax  
[www.molinebearing.com](http://www.molinebearing.com), [sales@molinebearing.com](mailto:sales@molinebearing.com)

TEL # **800.242.4633**

217



# MASTER INTERCHANGE

## True Type E Series Interchange

MOLINE	BROWNING	DODGE	ROYERSFORD	SEALMASTER
2-Bolt Pillow Block 19321 (Pages 18–19)	PBE920* True Type E	P2BE True Type E	20-02-0 True Type E	EPB-2* True Type E
4-Bolt Pillow Block 19341 (Pages 20–23)	PBE920F* True Type E	P4BE True Type E	20-04-0 True Type E	EPB-4* True Type E
4-Bolt Flange 19311 (Pages 24–27)	FBE920 True Type E	F4BE True Type E	20-05-0 True Type E	EFB True Type E
Piloted Flange 19331 (Pages 28–29)	-----	FCE True Type E	20-06-0 True Type E	-----
Wide Slot Take-Up 19351 (Pages 30–31)	TUE920 True Type E	WSTUE True Type E	20-07-0 True Type E	ETU True Type E

True Type E = Timken Cups/Cone Assembly (extended sleeve) and double collar

\*Denotes pillow block center to center dimension slightly different

## Type E / Spherical E Interchange

MOLINE	LINK-BELT**	REX**	SKF**
2-Bolt Pillow Block 19321 (Pages 18–19)	EPB22400	ZEP2000	SYE
4-Bolt Pillow Block 19341 (Pages 20–23)	EPB22400F	ZEP2000-F	FSYE
4-Bolt Flange 19311 (Pages 24–27)	-----	ZEF2000-F	-----
Piloted Flange 19331 (Pages 28–29)	-----	-----	-----
Wide Slot Take-Up 19351 (Pages 30–31)	-----	-----	-----

\*\* Denotes Spherical E = Spherical Single Collar insert in Type E Housing

Note: This is a general dimensional interchange. For exact dimensions and comparison information on inserts and seals, please contact the factory.

For Nomenclature see pages 190–191.



## MASTER INTERCHANGE

### M2000 Series Interchange

MOLINE	SKF	BROWNING	DODGE	LINK-BELT	REX
2-Bolt Pillow Block (Pages 48–49) 19121 (Expansion) 19221 (Non-Expansion)	SYR SYR-H	SPB1000E SPB1000NE	P2BS2000R P2BS2000RE	PB22400H PEB22400H	ZA2000 ZAS2000
4-Bolt Pillow Block (Pages 50–51) 19141 (Expansion) 19241 (Non-Expansion)	-----	SPB1000FE SPB1000FNE	P4BS2000R P4BS2000RE	PB22400FH PEB22400FH	ZA2000F ZAS2000F
4-Bolt Flange (Pages 52–53) 19111 (Expansion) 19211 (Non-Expansion)	FYR FYR-H	SFB1000E SFB1000NE	F4BS2000R* F4BS2000RE*	FB22400H FEB22400H	ZB2000*
Piloted Flange (Pages 54–55) 19131 (Expansion) 19231 (Non-Expansion)	FYRP FYRP-H	SFC1000E SFC1000NE	FCS2000R FCS2000RE	FCB22400H	ZBR2000
Wide Slot Take-Up (Pages 56–57) 19151 (Expansion) 19251 (Non-Expansion)	TBR TBR-H	STU1000E STU1000NE	WSTUS2000R WSTUS2000RE	TB22400H	ZT2000

### M3000 Series Interchange

MOLINE	SKF CONCENTRA™	SEALMASTER SLEEVLLOC™	REX SHURLOK™ ADAPTOR MOUNTED	DODGE IMPERIAL
2-Bolt Pillow Block (Pages 72–73) 19621 (Expansion) 19721 (Non-Expansion)	SYR-N SYR-NH	SPB2000-C2 EPB2000-C2	ZA6000 ZAS6000	P2BIP <i>or</i> 0694
4-Bolt Pillow Block (Pages 74–75) 19641 (Expansion) 19741 (Non-Expansion)	FSYR-N FSYR-NH	SPB2000-C4 ESPB2000-C4	ZA6000-F ZAS6000-F	P4BIP <i>or</i> 0695
4-Bolt Flange (Pages 76–77) 19611 (Expansion) 19711 (Non-Expansion)	FYR-N* FYR-NH*	SFB2000-C ESFB2000-C	ZF6000* ZFS6000*	F4SIP <i>or</i> 0697
Piloted Flange (Pages 78–79) 19631 (Expansion) 19731 (Non-Expansion)	FYRP-N FYRP-NH	SFC2000-C ESFC2000-C	ZBR6000	FCIP <i>or</i> 0698
Wide Slot Take-Up (Pages 80–81) 19651 (Expansion) 19751 (Non-Expansion)	TBR-N TBR-NH	STU2000-C ESTU2000-C	ZT-6000	WSTUIP <i>or</i> 0693

\*Manufactures square and round 4-bolt flange

All units have tapered adaptor style locking mechanism. Before mounting, make sure there is sufficient clearance to access dismounting set screws on back of unit. Note: This is a general dimensional interchange. For exact dimensions and comparison information on inserts and seals, please contact the factory. For Nomenclature see pages 190–191.



**MOLINE BEARING CO.**

Post Office Box 99, Batavia, Illinois 60510, USA  
630.584.4600, 800.242.4633, 630.584.1999 fax  
www.molinebearing.com, sales@molinebearing.com

TEL # **800.242.4633**

219

## MASTER INTERCHANGE CONTINUED

### Mounted Ball Bearing Interchange

Normal Duty – 200 Series

MOLINE	DODGE	BROWNING	SEALMASTER	HUB CITY	FAFNIR	FYH
UCP (Pages 92–95) 2-Bolt Pillow Block	SC-1	VPS	RP	PB251	SAS	UCP
HCP (Pages 110–111) 2-Bolt Pillow Block Eccentric	SXR-1	VPE	RPE	PB221	RAS	NAP
UCF (Pages 98–99) 4-Bolt Flange	SC-4	VF4S	RF	FB250	SCJ	UCF
HCF (Pages 114–115) 4-Bolt Flange Eccentric	SXR-4	VF4E	RFE	FB220	RCJ	NANF
UCFL (Pages 96–97) 2-Bolt Flange	SC-2	VF2S	RFT	FB260	SCJT	UCFL
HCFL (Pages 112–113) 2-Bolt Flange Eccentric	SXR-2	VF2E	RFTE	FB230	RCJT	NANFL
UCFC (Pages 100–103) Piloted Flange	FCSC	-----	-----	-----	-----	UCFC2
HCFC (Pages 116–119) Piloted Flange Eccentric	-----	-----	-----	-----	-----	-----
UCT (Pages 104–107) Wide Slot Take-Up	WSTUSC	VTWS	RT	WSTU250	VTU	UCT
HCT (Pages 120–123) Wide Slot Take-Up Eccentric	WSTUSXR	VTWE	RT-E	WSTU220	RTU	NAT

Note: This is a general dimensional interchange. For exact dimensions and comparison information on inserts and seals, please contact the factory.

For Nomenclature see pages 190–191.



# TERMS AND CONDITIONS OF SALE

## PRICES & ACCEPTANCE

All orders are for prompt acceptance only by Moline Bearing Company's (Company) home office in Batavia, Illinois. In the event of an increase or decrease in the Company's prices, the price on any order or contract will be the one in effect at the time of shipment.

## TAXES

Any sales, use, consumption or other taxes, customs duties taxes and custom brokerage fees applicable to sale, purchase or use of the products is not included in the price shown on this order and will be paid by the purchaser whenever due.

## TERMS

Payment terms are net cash within 30 days from the date of the invoice. Acceptance of all orders is subject to approval of the Company's credit department.

## MINIMUM CHARGE

The minimum charge on any order will be \$25.00/U.S. net; parcel post, freight or express charges will be added.

## SHIPMENTS

Shipments will be routed to incur the lowest available transportation charges. All premium rate shipping services such as express (air or rail); air freight, etc. will be utilized when requested by the purchaser. The Company will add any additional service charges to the invoice. All shipments, unless otherwise specified, are FOB factory. Claims for shortages, damage or non-delivery in transit will be made by the consignees to the carrier. Request for proof of delivery must be submitted within 90 days from the date of the shipment.

## RETURNED GOODS

Goods may be returned within six months of the purchase date, with prior permission and an applicable RGA number. Credits will be issued against the original invoice for future purchases only. A minimum of a 25% restock charge as well as freight both ways will be deducted from the credit. Goods must be returned in unused, undamaged and "resaleable condition." All credits must be used within six months from the date of issue, or they will be voided.

## ORDERS & CANCELLATIONS

All orders are considered firm contracts. If the Company is unable to meet the requested delivery requirements and/or expected shipment dates, the Company will not be liable for any claims for delays beyond the Company's control, nor will the Company accept cancellation or suspension unless mutually agreed upon in writing.

## ADDITIONAL CHARGES

Additional charges will be applied to cover the costs of extra packing, special engineering or servicing, or other unusual cost elements such as overtime work authorized by the purchaser which have not been contemplated.

## WARRANTY

The Company warrants that products furnished will be free from defects in materials and workmanship under normal use and service for 90 days after delivery of products by the Company.

THE COMPANY'S SOLE OBLIGATION UNDER THIS WARRANTY WILL BE TO REPAIR OR REPLACE ANY DEFECTIVE PRODUCT OR PART WHICH IS RETURNED. TRANSPORTATION WILL BE PREPAID WITHIN THE PERIOD MENTIONED ABOVE WHERE EXAMINATION PROVES TO THE SATISFACTION OF THE COMPANY THAT THE PART OR PRODUCT IS DEFECTIVE.

THIS WARRANTY WILL NOT APPLY TO ANY PRODUCT OR PART WHICH HAS BEEN SUBJECTED TO MISUSE, NEGLIGENCE OR ACCIDENT. THIS WARRANTY, AS SET FORTH ABOVE, IS IN LIEU OF ALL OTHER WARRANTIES EXPRESSED OR IMPLIED, INCLUDING WITHOUT LIMITATION WARRANTIES OF MERCHANTABILITY AND FITNESS FOR A PARTICULAR PURPOSE.

## LIMITATION OF LIABILITY

IN NO EVENT SHALL THE COMPANY BE LIABLE FOR ANY LOSS, CLAIM OR DAMAGE CAUSED BY, CONTRIBUTED TO, OR ARISING OUT OF THE ACTS OR OMISSIONS OF PURCHASER OR THIRD PARTIES, WHETHER NEGLIGENT OR OTHERWISE. IN NO EVENT SHALL THE COMPANY'S LIABILITY FOR ANY CAUSE OF ACTION WHATSOEVER EXCEED THE COST OF THE ITEM GIVING RISE TO THE CLAIM, WHETHER BASED IN CONTRACT, WARRANTY, INDEMNITY, OR TORT (INCLUDING NEGLIGENCE AND STRICT LIABILITY). IN NO EVENT SHALL THE COMPANY BE LIABLE FOR ANY INDIRECT, CONSEQUENTIAL, INCIDENTAL OR SPECIAL DAMAGES, INCLUDING, BUT NOT LIMITED TO LOST PROFITS OR OTHER ECONOMIC LOSS.

The terms and conditions of sale stated in this document supersede all others and are subject to change without notice.



**MOLINE BEARING CO.**

Post Office Box 99, Batavia, Illinois 60510, USA  
630.584.4600, 800.242.4633, 630.584.1999 fax  
www.molinebearing.com, sales@molinebearing.com

TEL # **800.242.4633**

221

MOLINE

MOLINE

MOLINE

MOLINE

MOLINE



Post Office Box 99, Batavia, Illinois 60510, USA  
630.584.4600, 800.242.4633, 630.584.1999 fax  
[www.molinebearing.com](http://www.molinebearing.com)

TEL # **800.242.4633**

**MOLINE BEARING C<sup>o</sup>**

